

1 Puberty differentially predicts brain maturation in males and females during early adolescence: A
2 longitudinal ABCD Study

3
4 Dani Beck^{1,2,3}, Lia Ferschmann³, Niamh MacSweeney⁴, Linn B. Norbom^{1,2,3}, Thea Wiker^{1,2,3}, Eira
5 Aksnes^{1,2,3}, Valerie Karl^{2,3}, Fanny Dégeilh⁵, Madelene Holm^{6,7}, Kathryn L. Mills^{3,8}, Ole A.
6 Andreassen^{6,9}, Ingrid Agartz^{1,2,10}, Lars T. Westlye^{6,7,9}, Tilmann von Soest³, Christian K. Tamnes^{1,2,3}

7
8
9 ¹ Department of Psychiatric Research, Diakonhjemmet Hospital, Oslo, Norway

10 ² NORMENT, Institute of Clinical Medicine, University of Oslo, Norway

11 ³ PROMENTA Research Center, Department of Psychology, University of Oslo, Norway

12 ⁴ Division of Psychiatry, University of Edinburgh, Edinburgh, United Kingdom

13 ⁵ Univ Rennes, CNRS, Inria, Inserm, IRISA UMR 6074, EMPENN – ERL U 1228, Rennes, France

14 ⁶ NORMENT, Division of Mental Health and Addiction, Oslo University Hospital & Institute of
15 Clinical Medicine, University of Oslo, Norway

16 ⁷ Department of Psychology, University of Oslo, Norway

17 ⁸ Department of Psychology, University of Oregon, Eugene, OR, USA

18 ⁹ KG Jebsen Centre for Neurodevelopmental Disorders, University of Oslo, Norway

19 ¹⁰ Department of Clinical Neuroscience, Karolinska Institutet, Stockholm, Sweden

20

21

22

23

24

25

26 Correspondence: Dani Beck (dani.beck@psykologi.uio.no).

27

28

29

30

31

32

33

34

NOTE: This preprint reports new research that has not been certified by peer review and should not be used to guide clinical practice.

35 **Abstract**

36 **Background:** Research has demonstrated associations between pubertal development and
37 brain maturation. However, existing studies have been limited by small samples, cross-
38 sectional designs, and inconclusive findings regarding coupling directionality and sex
39 differences.

40 **Methods:** We examined the longitudinal temporal coupling of puberty status assessed using
41 the Pubertal Development Scale (PDS) and magnetic resonance imaging (MRI)-based brain
42 grey and white matter structure. Our sample consisted of 8,896 children and adolescents at
43 baseline (mean age = 9.9) and 6,099 at follow-up (mean age = 11.9) from the Adolescent
44 Brain and Cognitive Development (ABCD) Study.

45 **Results:** Applying multigroup Bivariate Latent Change Score (BLCS) models, we found that
46 baseline pubertal status predicted the rate of change in cortical thickness among females only,
47 while it predicted rate of change in cortical surface area for both males and females, with a
48 significantly stronger association for females. For cortical surface area, we also found a
49 correlation between baseline pubertal status and area and co-occurring changes over time,
50 with both associations present in males only. Diffusion tensor imaging (DTI) analysis
51 revealed correlated change between pubertal status and fractional anisotropy (FA) for both
52 males and females, but no significant associations for mean diffusivity (MD).

53 **Conclusions:** Our results suggest that pubertal status in early adolescence predicts cortical
54 maturation, and that the strength of the associations differ between sex. Further research is
55 needed to understand how the associations between puberty and brain maturation are related
56 to environmental and lifestyle factors, and the impact on mental health.

57

58

59

60

61

62 **Keywords:** ABCD Study, Adolescence, Brain maturation, Development, Longitudinal,

63 Puberty

64

65

66

67

68

69 1. Introduction

70 Adolescence is a transitional stage from childhood to adulthood that is marked by prolonged
71 tissue-specific neurodevelopmental processes. Tethered to this, puberty has been highlighted
72 as a defining period for protracted brain structural maturation during adolescence, with a
73 range of studies linking concurrent trends of puberal and brain development that go beyond
74 the effects of age (Ando et al., 2021; Blakemore et al., 2010; Herting & Sowell, 2017;
75 Vijayakumar et al., 2021). However, existing studies on puberty-brain associations are
76 limited by small sample sizes and cross-sectional designs, in addition to mixed findings,
77 underscoring the need for large-scale longitudinal studies that examine the temporal coupling
78 of pubertal development and brain maturational processes.

79 Although pubertal development is characterised by progress through the same stages
80 for each individual — involving changes in secondary sex characteristics, rising hormone
81 levels, and emerging reproductive capability — there is a large variation in the timing and
82 tempo of these changes. There are both inter-individual and between-sex differences
83 involved, with the typical age of pubertal onset ranging from 9 to 14 years in human males
84 and 8 to 13 years in human females (Herting et al., 2021; Savin-Williams & Ream, 2006).

85 The variation in pubertal timing, defined as an individual's relative pubertal
86 developmental stage compared with same -age and -sex peers (Ullsperger & Nikolas, 2017),
87 has a substantial genetic contribution among both males and females, with heritability
88 estimates ranging from 50 to 80% (Stroud & Davila, 2011). However, a growing body of
89 evidence has also linked variation in pubertal timing to lifestyle and environmental factors,
90 including childhood obesity (Ahmed et al., 2009; Freedman et al., 2002; Herting et al., 2021),
91 socioeconomic status (SES) (Braithwaite et al., 2009; Herting et al., 2021), and nutrition
92 (Parent et al., 2003). An implication of this is that pubertal timing may be partially malleable
93 and, as such, represents a window of opportunity for early intervention that targets youth at
94 risk of health issues related to pubertal timing.

95 For example, in females, earlier pubertal onset is associated with an increased risk of
96 type II diabetes, breast cancer, and adult obesity (Ahmed et al., 2009), in addition to mental
97 outcomes related to risk-taking (Braams et al., 2015; Collado-Rodriguez et al., 2014),
98 depression and anxiety (Copeland et al., 2019; McNeilly et al., 2022; Mendle et al., 2010;
99 Mendle & Ferrero, 2012), and substance use (Marceau et al., 2019; Patton et al., 2004;
100 Stumper et al., 2019). In males, health risks are better understood by the 'off-time' hypothesis
101 (either very early or very late pubertal onset), with worse mental health outcomes (Hayward,
102 2003), such as depression, anxiety, attention deficit/hyperactivity disorder (ADHD), and risk-

103 taking behaviour being associated with both early (Ge et al., 2001; Huddleston & Ge, 2003;
104 Mendle & Ferrero, 2012) and late (Conley & Rudolph, 2009; Graber et al., 1997) pubertal
105 onset.

106 In conjunction to pubertal development, the brain shows continued tissue-specific
107 changes that are prone to influence by fluctuating environmental pressures (Ferschmann et
108 al., 2022; Tooley et al., 2021) beyond the complex genetic contribution (Grasby et al., 2020).
109 Furthermore, puberty has been implicated as an influencing factor to the rate of maturation in
110 the brain, and as such recommended as non-negligible when studying adolescent brain
111 maturation (Holm et al., 2022; Wierenga et al., 2018).

112 Previous cross-sectional (Bramen et al., 2011; Paus et al., 2010; Pfefferbaum et al.,
113 2016) and longitudinal (Herting et al., 2015; Nguyen et al., 2013; Vijayakumar et al., 2021)
114 studies have reported reductions in global grey matter volume and cortical thickness
115 associated with higher pubertal status and testosterone levels, mirroring normative
116 developmental patterns of grey matter during adolescence (Mills et al., 2016; Tamnes et al.,
117 2017). However, when controlling for age, findings have been less consistent, with some
118 studies reporting associations between decreased cortical grey matter and more pubertally
119 developed females (Bramen et al., 2011; Peper, Brouwer, et al., 2009), others reporting
120 positive associations between grey matter volume and testosterone in males (Peper, Brouwer,
121 et al., 2009), and several reporting null findings for both sexes (Bramen et al., 2011;
122 Koolschijn et al., 2014; Peper, Brouwer, et al., 2009; Peper, Schnack, et al., 2009).

123 For white matter, numerous cross-sectional studies have reported positive associations
124 between pubertal status and white matter volumes (Chavarria et al., 2014; Perrin et al., 2009;
125 Pfefferbaum et al., 2016), with some conflicting findings (Peper, Schnack, et al., 2009).
126 Similarly, studies have reported positive associations between testosterone levels and white
127 matter volume among boys (Paus et al., 2010; Perrin et al., 2008), with inconsistent findings
128 when accounting for age (Peper, Brouwer, et al., 2009).

129 Diffusion tensor imaging (DTI) provides information regarding white matter
130 architecture and microstructure. DTI studies have generally reported higher fractional
131 anisotropy (FA) and lower mean diffusivity (MD) among more pubertally developed
132 adolescents (Herting et al., 2012; Menzies et al., 2014), mirroring normative developmental
133 patterns (Lebel & Deoni, 2018; Pfefferbaum et al., 2016). However, to date, only one
134 longitudinal study (Herting et al., 2017) has investigated associations between puberty and
135 white matter microstructure using DTI, albeit with a small sample, finding that physical

136 pubertal changes predicted changes in white matter. However, further longitudinal research is
137 necessary to validate and extend previous findings and to examine potential sex differences.

138 Using a large-scale longitudinal sample (N = 8,896 at baseline; N = 6,099 at follow-
139 up) of children and adolescents between the ages of 9-14 years from the Adolescent Brain
140 Cognitive Development (ABCD) Study cohort, we investigated the developmental
141 associations between puberty and brain structure and tested whether and to what extent these
142 associations differ between males and females. By leveraging a powerful Structural Equation
143 Modeling (SEM) framework, multigroup Bivariate Latent Change Scores (BLCS), we
144 examined how individual and sex differences in pubertal development relate to differences in
145 structural brain maturation. Importantly, BLSC allows us to test the temporal dynamics of the
146 puberty-brain relationship, specifically whether pubertal status and brain features correlate at
147 baseline, brain structure at baseline predicts change in pubertal status, baseline pubertal status
148 predicts change in brain structure, and whether changes in puberty and brain structure co-
149 occur over the course of the study period.

150 Based on previous research, we expected cross-sectional and longitudinal associations
151 between pubertal status measured with the Pubertal Development Scale (PDS) and global
152 features of cortical structure (surface area, thickness) and white matter microstructure (FA,
153 MD) in the examined age range. Specifically, we hypothesised correlations at baseline across
154 all brain MRI features and for changes in pubertal status and brain structure to co-occur. In
155 terms of coupling effects (i.e., regressions), we hypothesised that baseline pubertal status
156 would predict change in global brain structure and not vice versa. Additionally, we
157 hypothesised sex related effects to be present, with generally stronger puberty-brain
158 associations in females compared to males.

159
160
161
162
163
164
165
166
167
168
169

170 **2. Methodology**

171 *2.1. Description of sample*

172 The initial sample consisted of children and adolescents that are part of the ongoing
173 longitudinal ABCD Study, including a baseline cohort of ~11,800 nine- and ten-year-olds to
174 be followed for the course of ten years (Garavan et al., 2018). Data used in the present study
175 were drawn from the ABCD curated annual release 4.0, containing data from baseline up
176 until the second-year visit (<https://data-archive.nimh.nih.gov/abcd>). All ABCD Study data is
177 stored in the NIMH Data Archive Collection #2573, which is available for registered and
178 authorised users (Request #7474, PI: Westlye). The 4.0 release will be permanently available
179 as a persistent dataset defined in the NDA Study 1299 and has been assigned the DOI
180 10.15154/1523041.

181 To minimize confounding effects from complex family-related factors, unrelated
182 participants were chosen by randomly selecting an individual from each family ID,
183 subsequently excluding any siblings (see Supporting Information (SI) Section 1 for details).
184 Additionally, participants were excluded using the ABCD Study exclusion criteria, which
185 included non-English proficiency, general MRI contraindications, a history of a major
186 neurological disorder, traumatic brain injury, extreme premature birth (<28 weeks gestational
187 age), a diagnosis of schizophrenia, intellectual disability, moderate to severe autism spectrum
188 disorder, or substance abuse disorder (Karcher et al., 2018).

189 Following procedures of quality control (see SI Section 1) for each brain measure
190 (cortical thickness, surface area, FA, and MD), PDS, and our covariates of interest including
191 SES, body-mass index (BMI), and genetic ancestry-derived ethnicity, the final sample
192 consisted of N = 8,896 participants at baseline (4,223 females, 4,673 males) and N = 6,099
193 participants at follow-up (2,798 females, 3,301 males). Table 1 displays means and standard
194 deviations of each brain MRI metric, PDS, and covariates of interest, split by sex, while the
195 age and PDS distributions in the sample are presented in Figure 1. Ethical approvals for the
196 study are described in SI Section 2.

197

198

199

200

201

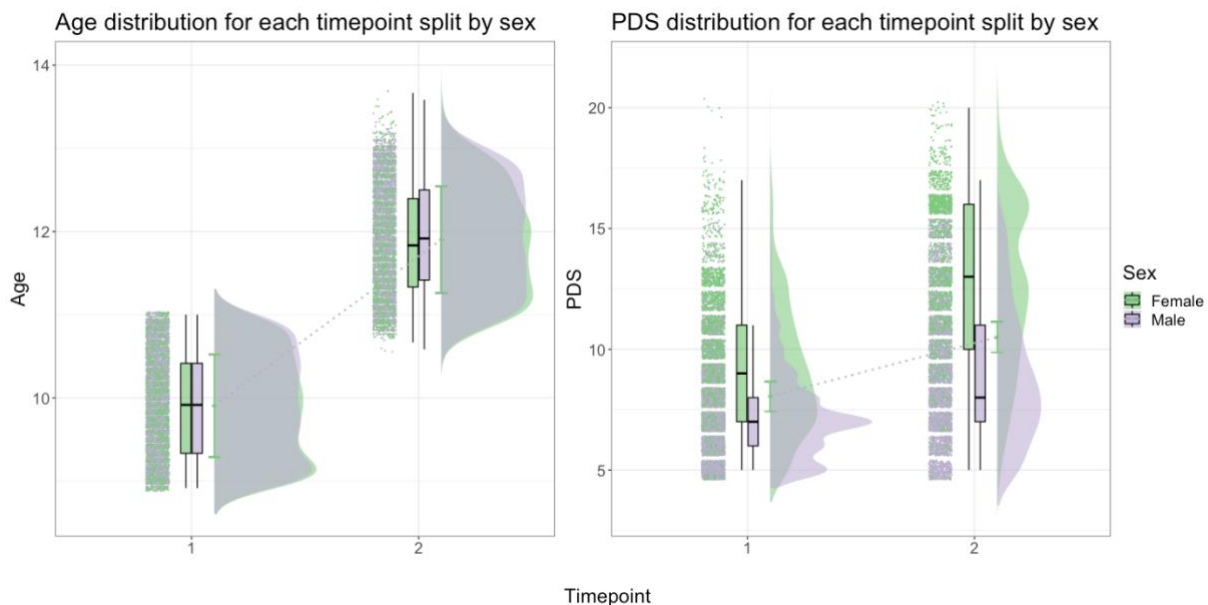
202

Table 1. Descriptive statistics of the sample, including mean \pm standard deviation (SD) for each measure.

	Baseline sample	Follow-up sample	Males at baseline	Females at baseline	Males at follow-up	Females at follow-up
N subjects	8,896	6,099	4,673	4,223	3,301	2,798
Age	9.9 \pm 0.62	11.9 \pm 0.64	9.9 \pm 0.62	9.9 \pm 0.61	11.9 \pm 0.64	11.9 \pm 0.63
PDS	8.0 \pm 2.40	10.5 \pm 3.48	7.2 \pm 1.86	8.9 \pm 2.59	8.9 \pm 2.74	12.4 \pm 3.30
FA	0.503 \pm 0.02	0.509 \pm 0.02	0.503 \pm 0.02	0.503 \pm 0.02	0.509 \pm 0.02	0.510 \pm 0.02
MD	0.800 \pm 0.02	0.789 \pm 0.02	0.802 \pm 0.03	0.790 \pm 0.02	0.792 \pm 0.02	0.786 \pm 0.02
Thickness	2.72 \pm 0.09	2.69 \pm 0.09	2.72 \pm 0.09	2.73 \pm 0.09	2.69 \pm 0.09	2.69 \pm 0.09
Area	1,899 \pm 180	1,907 \pm 183	1,977 \pm 167	1,813 \pm 154	1,990 \pm 168	1,814 \pm 153
BMI	18.82 \pm 4.13	20.57 \pm 4.84	18.75 \pm 4.03	18.91 \pm 4.23	20.35 \pm 4.71	20.84 \pm 4.98
SES	7.25 \pm 2.39	7.56 \pm 2.23	7.26 \pm 2.39	7.24 \pm 2.39	7.58 \pm 2.44	7.53 \pm 2.21

Note: MRI metrics of FA, MD, cortical thickness (Thickness), and surface area (Area) represent scanner-harmonised scores. Thickness represented in mm. Area represented in cm². SES represents a total score derived from the average income from both parental and partner income, where 7 represents those earning between \$50-75k annually.

203



204

205 **Figure 1.** Age (left) and PDS (right) distribution of the study sample, split by sex and timepoint. Dotted line
 206 between plots connects the mean age and PDS values at baseline (timepoint 1) and follow-up (timepoint 2). Age
 207 and total PDS scores shown as distributions where green represents females and purple represents males.

208 2.2. MRI acquisition and processing

209 Neuroimaging data were acquired at 21 different sites and processed by the ABCD team. A
210 3-T Siemens Prisma, General Electric 750 or Phillips scanner was used for data acquisition.
211 Protocols used for data acquisition and processing are described elsewhere (Casey et al.,
212 2018; Hagler et al., 2019). In brief, T1-weighted data was acquired by magnetisation-
213 prepared rapid acquisition gradient echo scans with a resolution of $1 \times 1 \times 1 \text{ mm}^3$, which was
214 used for generating cortical structural measures, and diffusion-weighted data was obtained by
215 high angular resolution diffusion imaging scans, used for generating white matter
216 microstructural measures.

217 Two modalities of brain structural measures were used in the present study: grey
218 matter cortical measures and white matter microstructural measures (Hagler et al., 2019).
219 Cortical reconstruction and volumetric segmentation was performed with FreeSurfer 5.3.0
220 (Dale et al., 1999; Fischl et al., 2002). White matter microstructural measures (DTI) were
221 generated using AtlasTrack, a probabilistic atlas-based method for automated segmentation
222 of white matter fiber tracts (Hagler Jr. et al., 2009). For cortical measures, global measures
223 were generated for cortical surface area and thickness. For DTI, measures of FA and MD
224 were generated over the whole brain. For full pipeline, see SI Section 3.

225

226 2.3. Multi-site MRI scanner effects

227 To adjust for non-biological variance introduced by multi-scanner MRI and
228 acquisition protocols (i.e., scanner effects), a longitudinal harmonisation technique was
229 carried out using the R package *LongComBat* (Beer et al., 2020). To reduce bias in scaling
230 and spatial resolution of features, our four global brain MRI measures (FA, MD, thickness,
231 area) were harmonised separately. Since the harmonisation is applied to model residuals, the
232 longitudinal ComBat model should ideally match the model in the final analysis. As such,
233 each model was fitted with formulas including age, PDS, BMI, SES, and genetic ancestry-
234 derived ethnicity as covariates. SI Figures 3 and 4 show distribution of each MRI measure
235 before harmonisation and after longitudinal ComBat.

236

237 2.4. Pubertal development assessment

238 Pubertal status was measured using the PDS (Petersen et al., 1988) to examine the perceived
239 development of secondary sex characteristics such as growth spurts, body hair growth, skin
240 changes, breast development and menarche in girls, and voice changes and growth of testes in
241 boys. The PDS is a questionnaire designed to mimic the traditional Tanner staging

242 assessment without the use of reference pictures (Petersen et al., 1988). Due to previous
243 research showing that youth tend to over-report their perceived physical development at
244 younger ages (Schlossberger et al., 1992), the current study utilised caregiver PDS report.

245 The PDS includes five-items, each rated on a 4-point scale (1 = no development; 2 =
246 development has barely begun; 3 = development is definitely underway; and 4 = development
247 is complete; except menstruation, which is coded 1 = has not begun, 4 = has begun). Thus,
248 higher scores reflect more advanced pubertal development. The PDS has shown high inter-
249 rater reliability between parent and self-rated assessment to clinicians, and correlates highly
250 with plasma levels of gonadal hormones (Carskadon & Acebo, 1993; Koopman-Verhoeff et
251 al., 2020) in addition to the Tanner stages (Koopman-Verhoeff et al., 2020). We used total
252 PDS score for our analyses. When describing our results, PDS and the term *pubertal status* is
253 used interchangeably for cross-sectional analyses, while *pubertal development* is used for
254 longitudinal analyses.

255

256 2.5. Covariates of interest

257 Previous research has highlighted several factors that potentially contribute to pubertal timing
258 and development, including BMI, SES, and ethnicity (Ahmed et al., 2009; Braithwaite et al.,
259 2009; Deardorff et al., 2019; Freedman et al., 2002; Herting et al., 2021; Kaplowitz et al.,
260 2001). Therefore, we included BMI, SES, and genetic ancestry-derived ethnicity, in addition
261 to age, as covariates. For full details on how each covariate was measured and derived, see SI
262 Section 4. For figures relating to distribution, frequency, and associations between covariates,
263 see SI Figures 5-7.

264

265 2.6. Statistical analysis

266 The code used in the present study is available in a public repository - Open Science
267 Framework (OSF) - and accessible directly through the OSF webpage <https://osf.io/nh649/>.

268 All analyses were carried out using R version 4.0.0 (R Core Team, 2022). A
269 multigroup BLCS model was tested using the *lavaan* package (Rosseel, 2012) following
270 recommendations provided by (Kievit et al., 2018) for model setup. Four separate models
271 were set up to examine 1) correlations at baseline between pubertal status and MRI measures
272 of global FA, MD, cortical thickness, and surface area; 2) to what extent the baseline pubertal
273 status predicted rate of change in global brain MRI measures; 3) to what extent the baseline
274 score of global brain MRI measure predicted rate of change in the pubertal development; and
275 lastly, 4) whether change co-occurred. To investigate sex differences in the associations, we

276 used multiple group analyses in the framework of SEM, with sex (male, female) as the
277 grouping variable.

278 We quantified to what extent change in pubertal status (ΔPDS) between baseline and
279 follow-up was a function of brain MRI measure (γ_2) and pubertal status (β_1) at baseline as
280 following:

$$281 \quad \Delta PDS = \beta_1 \cdot PDS + \gamma_2 \cdot MRI$$

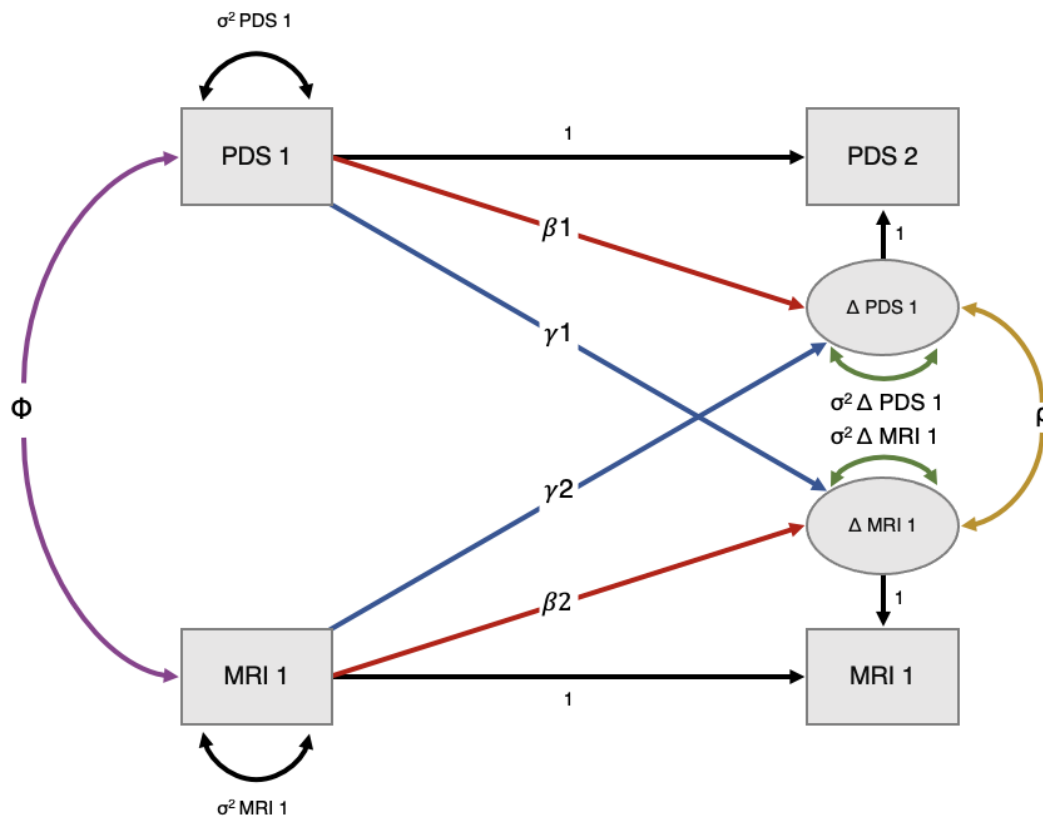
282 And to what extent change in brain MRI measure (MRI) between baseline and follow-up was
283 a function of pubertal status (γ_1) and brain MRI measure (β_2) at baseline as following:

$$284 \quad \Delta MRI = \beta_2 \cdot MRI + \gamma_1 \cdot PDS$$

285 For an illustrative description of this model, see Figure 2. Due to their relatedness to pubertal
286 development, age, BMI, SES, and genetic ancestry-derived ethnicity were included in each
287 model. Full information for maximum likelihood estimation procedures were used for all
288 BLCS analyses, thereby providing missing data routines that are considered to be adequate
289 (Enders, 2010).

290 Analyses to test sex differences were also carried out, where the model parameters
291 above (1-4) were constrained to be equal across the two groups and tested by means of χ^2 -
292 difference tests against their respective non-constrained (original) model for each of the four
293 brain MRI metrics. To test sex differences for all associations for all four models, sixteen
294 such tests were carried. The significance threshold was set at $p < 0.05$, and the results were
295 corrected for multiple comparisons using the false discovery rate (FDR) adjustment
296 (Benjamini & Hochberg, 1995). Both uncorrected (p) and corrected (p^{corr}) values are reported
297 for these tests.

298



299

300 **Figure 2.** Bivariate latent change score (BLCS) model with two timepoints, examining correlation between
 301 pubertal status (PDS) and brain MRI metric (MRI) at baseline (pink), to what extent pubertal status at baseline
 302 predicts the rate of change in brain MRI metric (blue: $\gamma 1$), to what extent brain MRI metric at baseline predicts
 303 the rate of change in pubertal status (blue: $\gamma 2$), and whether changes in PDS and MRI co-occur (yellow) after
 304 considering the coupling ($\gamma 1, \gamma 2$) pathways. Image adapted from Kievit et al. (2018) with permission
 305 from author.

306

307

308

309

310

311

312

313

314

315

316

317

318

319 3. Results

320 3.1. Descriptive statistics

321 Descriptive statistics can be found in Table 1. Brain MRI age curves are presented in SI
322 Figure 8. Brain MRI trajectories as a function of PDS are presented in SI Figure 9.

323

324 3.2. Multigroup bivariate latent change score (BLCS) models

325 The main results of the models are summarised in Table 2. For the full models, including
326 analyses testing for sex differences in the associations, see SI Section 5.

327

Table 2. Multigroup BLCS model for each brain MRI metric, where numbers 1-4 represent the following effects: (1) correlation at baseline, (2) regression (PDS at baseline related to change in MRI metric), (3) regression (MRI metric at baseline related to change in PDS), (4) correlation of change score.

	Effect	Male				Female			
		Est	SE	z	p	Est	SE	z	p
FA									
(1)	PDS _{t1} ↔ FA _{t1} (ϕ)	-.002	.016	-.138	.891	-.005	.017	-.269	.788
(2)	PDS _{t1} → Δ FA (γ_1)	-.000	.021	-.004	.997	.001	.020	.066	.947
(3)	FA _{t1} → Δ PDS (γ_2)	.009	.018	.497	.619	.016	.019	.831	.406
(4)	Δ PDS ↔ Δ FA (ρ)	.048	.020	2.37	.018	.079	.022	3.57	<0.01
MD									
(1)	PDS _{t1} ↔ MD _{t1} (ϕ)	-.005	.017	-.301	.763	.009	.017	.528	.598
(2)	PDS _{t1} → Δ MD (γ_1)	-.018	.023	-.768	.442	-.006	.022	-.270	.787
(3)	MD _{t1} → Δ PDS (γ_2)	-.018	.017	-1.03	.304	-.012	.020	-.587	.557
(4)	Δ PDS ↔ Δ MD (ρ)	-.011	.019	-.548	.584	-.014	.023	-.556	.558
Thickness									
(1)	PDS _{t1} ↔ Thickness _{t1} (ϕ)	.001	.015	.050	.960	-.012	.017	-.713	.476
(2)	PDS _{t1} → Δ Thickness (γ_1)	-.002	.022	-.098	.922	-.105	.023	-4.53	<0.01
(3)	Thickness _{t1} → Δ PDS (γ_2)	-.024	.018	-1.40	.163	.012	.019	-.623	.533
(4)	Δ PDS ↔ Δ Thickness (ρ)	-.001	.019	-.072	.942	-.058	.022	-2.67	<0.01
Area									
(1)	PDS _{t1} ↔ Area _{t1} (ϕ)	.055	.015	3.66	<0.01	-.001	.016	-.039	.969
(2)	PDS _{t1} → Δ Area (γ_1)	-.078	.021	-3.64	<0.01	-.210	.023	-9.26	<0.01
(3)	Area _{t1} → Δ PDS (γ_2)	-.021	.017	-1.26	.209	.006	.019	.313	.754
(4)	Δ PDS ↔ Δ Area (ρ)	.083	.021	3.92	<0.01	.002	.022	.109	.913

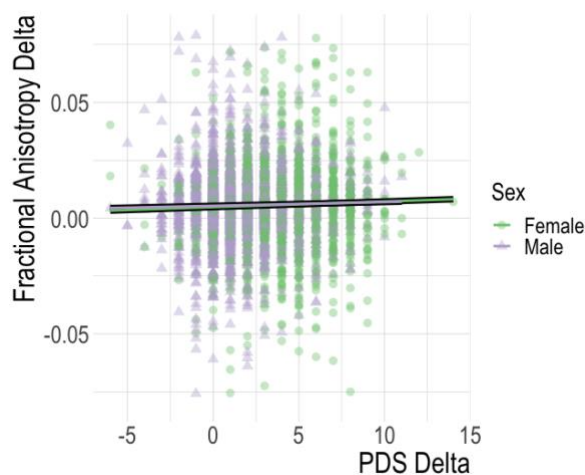
Note. Table showing results from the multigroup BLCS model of Pubertal Development Scale (PDS) and MRI measures of Fractional Anisotropy (FA), Mean Diffusivity (MD), Cortical Thickness (Thickness), and Surface Area (Area), with estimates (Est), standard error (SE), z-score (z) and p-values (p). For each effect, _{t1} represents baseline score, Δ PDS or Δ MRI represents the delta score in PDS and MRI measure between baseline and follow-up, ↔ represent correlations, and → represents regression coefficients. All reported effects are standardised. Bold fonts represent significant effects.

328

329

330 3.3. Pubertal development and fractional anisotropy

331 First, a BLCS for pubertal development and FA was modelled and the model fit was good: χ^2
332 (28) = 272.45, CFI = 0.956, RMSEA = 0.044. Inspection of the four parameters of interest,
333 reflecting the four possible puberty-brain relationships (outlined in Section 2.6), showed no
334 statistically significant correlation between pubertal status and FA at baseline for males or
335 females. The results did however show statistically significant associations of correlated
336 change for both males ($r = .048$, $p = .018$) and females ($r = .079$, $p < .01$). In other words,
337 those with greater increase in pubertal status were, on average, those with greater increase in
338 FA. There were no coupling effects to report. Next, χ^2 -difference testing for sex differences
339 were carried out. Here, no significant difference between males and females were found for
340 any of the four puberty-brain relationships. For a visual representation of the associations, see
341 Figure 3.
342



343
344 **Figure 3.** Visualisation of correlated change, where a change in FA is positively related to change in PDS for
345 both males and females. Delta scores calculated as follow-up FA and PDS measures minus baseline FA and
346 PDS measures, respectively. Males represented by lilac triangles and females by green circles.

347

348 3.4. Pubertal development and mean diffusivity

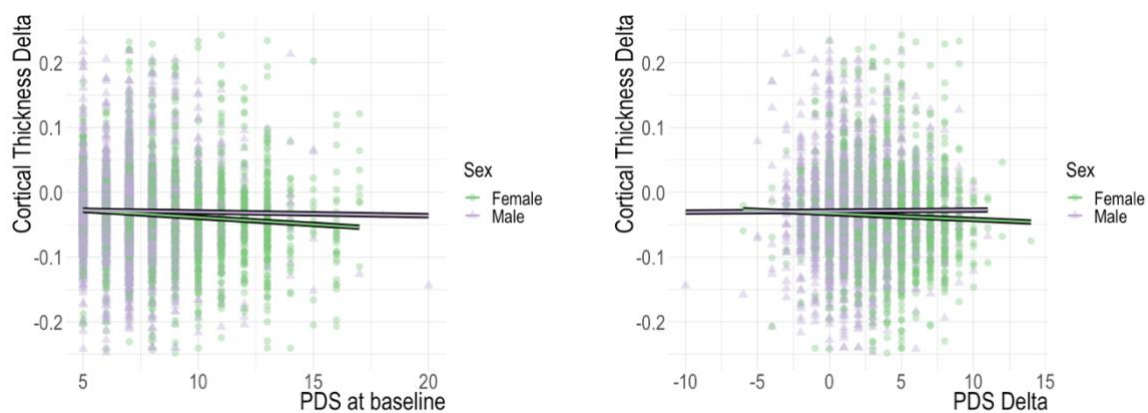
349 Second, a BLCS for pubertal development and MD was modelled and the model fit was
350 good: χ^2 (28) = 267.86, CFI = 0.959, RMSEA = 0.043. Inspection of the four parameters of
351 interest revealed no statistically significant correlations or regression coefficients. χ^2 -
352 difference tests revealed no significant difference between males and females for any of the
353 four puberty-brain relationships.

354

355 3.5. Pubertal development and cortical thickness

356 Third, a BLCS for pubertal development and cortical thickness was modelled and the model
357 fit was good: $\chi^2(28) = 274.47$, CFI = 0.963, RMSEA = 0.044. When examining the four
358 parameters of interest, no statistically significant associations were observed between
359 pubertal status and cortical thickness at baseline for males or females. The results did
360 however reveal statistically significant correlated change for females ($r = -.058$, $p < .01$), with
361 no association present for males ($r = -.001$, $p = .94$). In terms of coupling effects, pubertal
362 status at baseline predicted rate of change in cortical thickness in females ($\beta = -0.105$, $p <$
363 $.01$), while no associations were present in males. In other words, having initially higher PDS
364 scores at baseline predicted larger increase between baseline and follow-up cortical thickness
365 among females. χ^2 -difference tests revealed a significant difference between males and
366 females ((df, 1) = [8.75], $p < 0.01$. $p^{corr} = 0.049$) when comparing model parameters of
367 pubertal status at baseline predicting rate of change in cortical thickness. The three other
368 relationships investigated revealed no significant sex differences after correction for multiple
369 comparisons. Results are visualised in Figure 4.

370



371

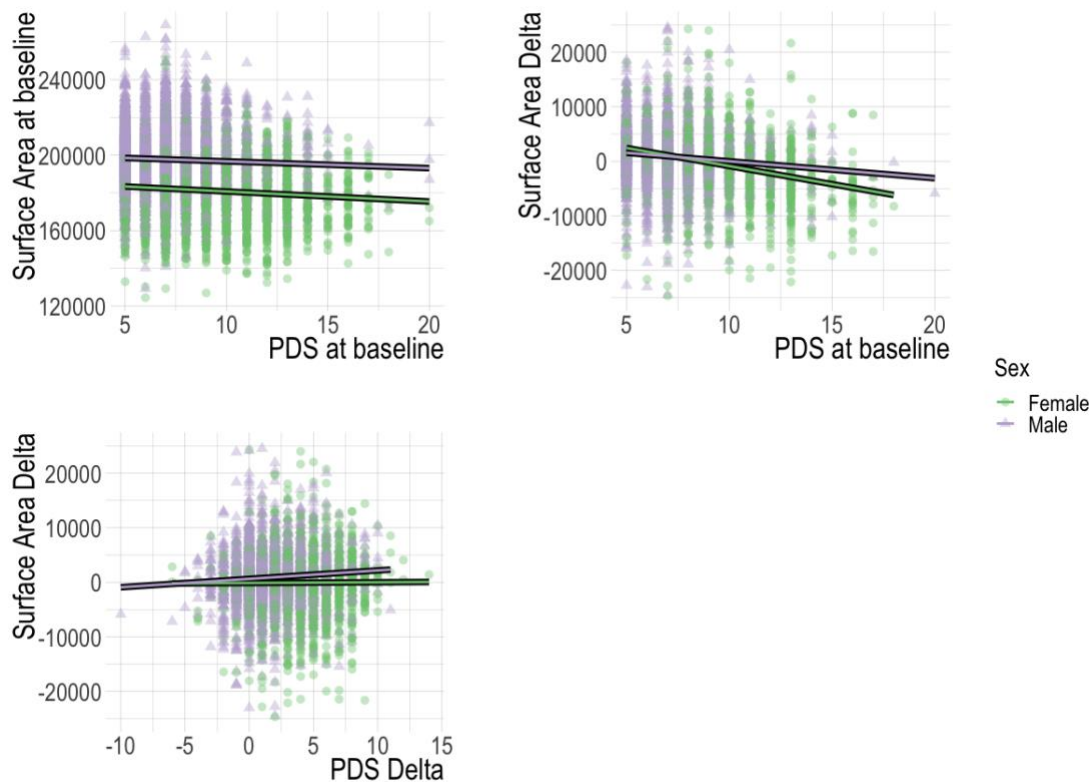
372 **Figure 4.** Visualisation of cortical thickness effects. Figure on the left visualising associations for females,
373 where pubertal status at baseline is associated with change in cortical thickness. Figure on the right visualising
374 correlated change for females.

375

376 3.6. Pubertal development and surface area

377 Lastly, a BLCS for pubertal development and surface area was modelled and the model fit
378 was good: $\chi^2(28) = 275.74$, CFI = 0.982, RMSEA = 0.044. Inspection of the four parameters
379 of interest showed statistically significant (positive) associations for the correlation between
380 pubertal status and surface area at baseline ($r = .055$, $p < .01$) and correlated change for males

381 ($r = .083, p < .01$), with no significant associations among females for either correlated
382 baseline ($r = -.001, p = .97$) or change ($r = .002, p = .91$). Coupling effects indicated pubertal
383 status at baseline as being predictive of rate of change in surface area for both males ($\beta = -$
384 $.078, p < .01$) and females ($\beta = -.210, p < .01$). In other words, having initially higher PDS
385 scores at baseline predicted larger decrease between baseline and follow-up surface area
386 measures. χ^2 -difference tests found a statistically significant sex difference ((df, 1) = [12.26],
387 $p < 0.01, p^{corr} < 0.01$) when comparing model parameters of pubertal status at baseline
388 predicting rate of change in surface area, thereby showing that the association was
389 significantly stronger for females than males. The three other relationships investigated
390 revealed no significant group differences after correction for multiple comparisons. See
391 Figure 5 for a visual representation for the results.
392



393
394 **Figure 5.** Visualisation of surface area effects. Top left side figure shows correlation between baseline surface
395 area and PDS, observed in males only. Bottom left side figure shows correlated change, with effects present in
396 males only. Top right-side figure shows association between pubertal status at baseline and change in surface
397 area between the two timepoints, with effects present in both males and females.

398
399
400

401 **4. Discussion**

402 We investigated the coupling pathways of pubertal development and brain maturation in early
403 adolescence using a multi-group BLCS framework in a large-scale longitudinal sample. Our
404 main findings indicate that baseline pubertal status predicted the rate of change in cortical
405 thickness for females only, and that pubertal status predicted rate of change in surface area
406 for both sexes, but more strongly for females than males. Associations were also present for
407 both correlation between pubertal status and surface area at baseline, and co-occurring
408 changes over time, but these associations were present among males only. DTI analyses
409 revealed correlated change over time between pubertal development and FA for both males
410 and females, and no significant associations for MD. Overall, our results suggest sex-related
411 differences in the associations between baseline pubertal status and rate of change in global
412 cortical grey matter features of the brain.

413 Our study utilised a solid statistical framework to investigate the longitudinal
414 coupling effects of pubertal development and structural brain maturation, providing valuable
415 insight into the temporal dynamics of brain-and-puberty development. Previous research has
416 reported sex-related associations between higher pubertal stage and global cortical grey
417 matter (Herting et al., 2015), with studies generally reporting reduced cortical thickness in
418 females (Bramen et al., 2011; Pfefferbaum et al., 2016) and no associations for males
419 (Bramen et al., 2011; Koolschijn et al., 2014; Peper, Brouwer, et al., 2009). Our findings
420 support previous findings and reveal additional knowledge into the coupling effects, with
421 baseline pubertal status predicting rate of change in cortical thickness, as hypothesised.

422 For global surface area, baseline levels of pubertal status and surface area were
423 positively related in males, going against our hypothesis. However, male participants who
424 were more pubertally developed at baseline showed less increases in surface area compared
425 to male participants who were less pubertally developed at baseline. Interestingly, our
426 coupling effects provide evidence suggesting that pubertal status at baseline predicts rate of
427 change in surface area (for both males and females), with faster pubertal tempo associated
428 with greater decrease in surface area, supporting our hypothesis. Moreover, despite both
429 sexes showing effects, our findings revealed significantly stronger effects in females than
430 males.

431 For surface area, our findings can be best understood in the context of the age range in
432 this sample. While the directionality of the coupling effects go in the expected directions (i.e.,
433 more pubertally developed predicting surface area *decrease*), one unexpected finding is the
434 observation that males show the opposite trend for baseline levels of pubertal status and

435 surface area (i.e., positively related). Previous research has reported decreases in surface area
436 associated with more pubertally developed males (Herting et al., 2015). One possible
437 explanation for this could be that many of the males in the present sample are still
438 experiencing increase in surface area (see e.g., Raznahan et al. (2011) and SI Figure 8).
439 Additionally, as evidenced by Figure 1 and PDS descriptive statistics in Table 1, the majority
440 of the males in our sample are in the early stages of pubertal development compared to
441 females (mid-late stages), and do not progress a lot throughout the study period, with the
442 average PDS moving from 7.5 at baseline to 8.8 at follow-up. These factors highlight a need
443 for future research that includes an age range spanning the entirety pubertal development.

444 Previous research investigating associations between pubertal development and DTI
445 is sparse. The one existing longitudinal DTI study (Herting et al. 2017) reported that increase
446 in PDS was associated with increase in FA, which was supported in our study using a much
447 larger sample. However, while the prior study reported sex-related effects, our results did not
448 indicate differences between males and females. One potential explanation for this is that
449 Herting and colleagues looked at various regions of the brain while our study observed global
450 FA, meaning if a minority of regional effects (as observed in Herting et al. (2017)) were
451 going the other direction, they may not be evident in the overall effect of increasing FA in the
452 majority of other regions. No evidence of correlation at baseline or coupling effects were
453 observed in either FA or MD, and there were no significant sex differences, which goes
454 against our previously stated hypotheses.

455 Adolescence is a sensitive period that offers a window of opportunity to shape the fate
456 of the adult brain. Within that period, accelerated pubertal development has been identified as
457 a potential indicator of concern for the developing brain, with earlier pubertal timing being
458 linked to psychological outcomes such as depression, anxiety, and ADHD (Copeland et al.,
459 2019; Ge et al., 2006; Mendle et al., 2010; Mendle & Ferrero, 2012). As such, addressing
460 early pubertal-timing-related risk factors may be crucial in reducing or even halting the
461 development of potentially related psychopathology. Explicitly investigating the brain-
462 puberty relationship with sex differences in mind is also important considering that risk of
463 worse mental health outcomes differs for females (earlier pubertal timing) and males (off-
464 time hypothesis), and this may have ramifications for related brain changes.

465 With research showing earlier pubertal timing in those facing barriers to positive
466 health and well-being, questions must be raised of how to tackle the challenges posed by
467 environmental factors and disparities in living conditions. Research has observed earlier
468 pubertal timing in concordance with higher child weight status, lower SES, and nutritional

469 needs not being met, and these have disproportionately impacted minority groups more.
470 Although speculative, environmental pressures may be central agents in advanced adaptation
471 to adult roles in the environment, termed ‘adultification’ (Pfeifer & Allen, 2021), where
472 adolescents may be undergoing earlier onset and tempo of puberty, and related
473 neurodevelopmental changes, as a means to adapt to a harsh environment, subsequently
474 increasing their risk of psychopathology. More research is needed to elucidate the potential
475 role of environmental factors on advanced pubertal development and brain maturation.

476 The current study has several strengths and limitations that warrant further discussion.
477 Firstly, the ABCD Study cohort provides a well-powered sample that is openly available for
478 researchers, improving both transparency and encouraging initiatives testing the robustness of
479 the findings. Second, the longitudinal data and analyses allow for tracking changes over time,
480 albeit while still limited by only one follow-up assessment. Nevertheless, the current
481 multigroup BLCS analysis framework is well tailored to address hypotheses related to both
482 general and fine-grained temporal dynamics over time and is especially powerful for testing
483 cross-domain couplings (Kievit et al., 2018).

484 While global measures may capture broad effects, we know that pubertal development
485 is associated with regional changes in frontal, temporal and parietal areas (as well as
486 subcortical regions) which provides rationale for looking at these in future research. FA and
487 MD revealed fewer effects compared to grey matter morphology. Future research should
488 utilise advanced diffusion MRI metrics (Beck et al., 2021; Tamnes et al., 2018) that
489 differentiate between intra- and extra-axonal compartments and potentially provides more
490 information than conventional DTI. Lastly, future research would benefit from a combined
491 approach of assessing pubertal development by means of questionnaires *as well as* hormonal
492 data, given the limitations of PDS (Cheng et al., 2021).

493 Some general limitations pertaining to ABCD Study and other large-scale volunteer
494 scale databases include biases related to being more healthy, more wealthy, and more
495 educated compared to the general population in their respective countries (Brayne & Moffitt,
496 2022). This lack of representativeness may mean that those with most adversity and
497 disadvantage will not be represented in this research. Future research should consider more
498 diversified samples to reduce the healthy volunteer bias compromising the generalisability of
499 the findings to more vulnerable populations. On the other hand, the ABCD Study cohort does
500 include more ethnically diverse participants than similar large-scale volunteer databases
501 (Brayne & Moffitt, 2022). Due to participant ages at recruitment, the ABCD Study data does

502 not capture early gonadal processes for many participants (Cheng et al., 2021; Herting et al.,
503 2021), which is more pronounced for females and non-White participants.

504 In conclusion, our analyses highlight pubertal status in early adolescence as being
505 predictive of longitudinal changes in cortical grey matter structure over time, and that these
506 changes are different for males and females. Further research is needed to understand how
507 puberty impacts the brain, the contribution of environmental and lifestyle factors on pubertal
508 development and brain maturation, and, in turn, the effects on mental health.

509

510 **5. Funding**

511 This work was supported by the Research Council of Norway (#223273, #288083, #323951,
512 #276082, #249795, #248238, #298646), and the South-Eastern Norway Regional Health
513 Authority (#2019069, #2021070, #500189, #2014097, #2015073, #2016083, #2018076), KG
514 Jebsen Stiftelsen, and the European Research Council under the European Union's Horizon
515 2020 Research and Innovation program (ERC StG, #802998 and RIA #847776).

516

517 **6. Acknowledgments**

518 Data used in the preparation of this article were obtained from the Adolescent Brain
519 Cognitive DevelopmentSM (ABCD) Study (<https://abcdstudy.org>), held in the NIMH Data
520 Archive (NDA). This is a multisite, longitudinal study designed to recruit more than 10,000
521 children aged 9-10 and follow them over 10 years into early adulthood. The ABCD Study® is
522 supported by the National Institutes of Health and additional federal partners under award
523 numbers U01DA041048, U01DA050989, U01DA051016, U01DA041022, U01DA051018,
524 U01DA051037, U01DA050987, U01DA041174, U01DA041106, U01DA041117,
525 U01DA041028, U01DA041134, U01DA050988, U01DA051039, U01DA041156,
526 U01DA041025, U01DA041120, U01DA051038, U01DA041148, U01DA041093,
527 U01DA041089, U24DA041123, U24DA041147. A full list of supporters is available at
528 <https://abcdstudy.org/federal-partners.html>. A listing of participating sites and a complete
529 listing of the study investigators can be found at https://abcdstudy.org/consortium_members/.
530 ABCD consortium investigators designed and implemented the study and/or provided data
531 but did not necessarily participate in the analysis or writing of this report. This manuscript
532 reflects the views of the authors and may not reflect the opinions or views of the NIH or
533 ABCD consortium investigators.

534

535

536 7. References

- 537 Ahmed, M. L., Ong, K. K., & Dunger, D. B. (2009). Childhood obesity and the timing of
538 puberty. *Trends in Endocrinology & Metabolism*, 20(5), 237–242.
539 <https://doi.org/10.1016/j.tem.2009.02.004>
- 540 Ando, A., Parzer, P., Kaess, M., Schell, S., Henze, R., Delorme, S., Stieltjes, B., Resch, F.,
541 Brunner, R., & Koenig, J. (2021). Calendar age and puberty-related development of
542 regional gray matter volume and white matter tracts during adolescence. *Brain*
543 *Structure and Function*, 226(3), 927–937. [https://doi.org/10.1007/s00429-020-02208-](https://doi.org/10.1007/s00429-020-02208-1)
544 1
- 545 Beck, D., de Lange, A.-M. G., Maximov, I. I., Richard, G., Andreassen, O. A., Nordvik, J. E.,
546 & Westlye, L. T. (2021). White matter microstructure across the adult lifespan: A
547 mixed longitudinal and cross-sectional study using advanced diffusion models and
548 brain-age prediction. *NeuroImage*, 224, 117441.
549 <https://doi.org/10.1016/j.neuroimage.2020.117441>
- 550 Beer, J. C., Tustison, N. J., Cook, P. A., Davatzikos, C., Sheline, Y. I., Shinohara, R. T., &
551 Linn, K. A. (2020). Longitudinal ComBat: A method for harmonizing longitudinal
552 multi-scanner imaging data. *NeuroImage*, 220, 117129.
553 <https://doi.org/10.1016/j.neuroimage.2020.117129>
- 554 Benjamini, Y., & Hochberg, Y. (1995). Controlling the False Discovery Rate: A Practical and
555 Powerful Approach to Multiple Testing. *Journal of the Royal Statistical Society:*
556 *Series B (Methodological)*, 57(1), 289–300. [https://doi.org/10.1111/j.2517-](https://doi.org/10.1111/j.2517-6161.1995.tb02031.x)
557 6161.1995.tb02031.x
- 558 Blakemore, S.-J., Burnett, S., & Dahl, R. E. (2010). The role of puberty in the developing
559 adolescent brain. *Human Brain Mapping*, 31(6), 926–933.
560 <https://doi.org/10.1002/hbm.21052>

- 561 Braams, B. R., van Duijvenvoorde, A. C. K., Peper, J. S., & Crone, E. A. (2015).
562 Longitudinal changes in adolescent risk-taking: A comprehensive study of neural
563 responses to rewards, pubertal development, and risk-taking behavior. *The Journal of*
564 *Neuroscience: The Official Journal of the Society for Neuroscience*, 35(18), 7226–
565 7238. <https://doi.org/10.1523/JNEUROSCI.4764-14.2015>
- 566 Braithwaite, D., Moore, D. H., Lustig, R. H., Epel, E. S., Ong, K. K., Rehkopf, D. H., Wang,
567 M. C., Miller, S. M., & Hiatt, R. A. (2009). Socioeconomic status in relation to early
568 menarche among black and white girls. *Cancer Causes & Control*, 20(5), 713–720.
569 <https://doi.org/10.1007/s10552-008-9284-9>
- 570 Bramen, J. E., Hranilovich, J. A., Dahl, R. E., Forbes, E. E., Chen, J., Toga, A. W., Dinov, I.
571 D., Worthman, C. M., & Sowell, E. R. (2011). Puberty Influences Medial Temporal
572 Lobe and Cortical Gray Matter Maturation Differently in Boys Than Girls Matched
573 for Sexual Maturity. *Cerebral Cortex (New York, NY)*, 21(3), 636–646.
574 <https://doi.org/10.1093/cercor/bhq137>
- 575 Brayne, C., & Moffitt, T. E. (2022). The limitations of large-scale volunteer databases to
576 address inequalities and global challenges in health and aging. *Nature Aging*, 2(9),
577 Article 9. <https://doi.org/10.1038/s43587-022-00277-x>
- 578 Carskadon, M. A., & Acebo, C. (1993). A self-administered rating scale for pubertal
579 development. *Journal of Adolescent Health*, 14(3), 190–195.
580 [https://doi.org/10.1016/1054-139X\(93\)90004-9](https://doi.org/10.1016/1054-139X(93)90004-9)
- 581 Casey, B. J., Cannonier, T., Conley, M. I., Cohen, A. O., Barch, D. M., Heitzeg, M. M.,
582 Soules, M. E., Teslovich, T., Dellarco, D. V., Garavan, H., Orr, C. A., Wager, T. D.,
583 Banich, M. T., Speer, N. K., Sutherland, M. T., Riedel, M. C., Dick, A. S., Bjork, J.
584 M., Thomas, K. M., ... Dale, A. M. (2018). The Adolescent Brain Cognitive

- 585 Development (ABCD) study: Imaging acquisition across 21 sites. *Developmental*
586 *Cognitive Neuroscience*, 32, 43–54. <https://doi.org/10.1016/j.dcn.2018.03.001>
- 587 Chavarria, M. C., Sánchez, F. J., Chou, Y.-Y., Thompson, P. M., & Luders, E. (2014).
588 Puberty in the corpus callosum. *Neuroscience*, 265, 1–8.
589 <https://doi.org/10.1016/j.neuroscience.2014.01.030>
- 590 Cheng, T. W., Magis-Weinberg, L., Guazzelli Williamson, V., Ladouceur, C. D., Whittle, S.
591 L., Herting, M. M., Uban, K. A., Byrne, M. L., Barendse, M. E. A., Shirtcliff, E. A.,
592 & Pfeifer, J. H. (2021). A Researcher’s Guide to the Measurement and Modeling of
593 Puberty in the ABCD Study® at Baseline. *Frontiers in Endocrinology*, 12, 471.
594 <https://doi.org/10.3389/fendo.2021.608575>
- 595 Collado-Rodriguez, A., MacPherson, L., Kurdziel, G., Rosenberg, L. A., & Lejuez, C. W.
596 (2014). The Relationship between Puberty and Risk Taking in the Real World and in
597 the Laboratory. *Personality and Individual Differences*, 68, 143–148.
598 <https://doi.org/10.1016/j.paid.2014.04.019>
- 599 Conley, C. S., & Rudolph, K. D. (2009). The emerging sex difference in adolescent
600 depression: Interacting contributions of puberty and peer stress. *Development and*
601 *Psychopathology*, 21(2), 593–620. <https://doi.org/10.1017/S0954579409000327>
- 602 Copeland, W. E., Worthman, C., Shanahan, L., Costello, E. J., & Angold, A. (2019). Early
603 Pubertal Timing and Testosterone Associated With Higher Levels of Adolescent
604 Depression in Girls. *Journal of the American Academy of Child & Adolescent*
605 *Psychiatry*, 58(12), 1197–1206. <https://doi.org/10.1016/j.jaac.2019.02.007>
- 606 Dale, A. M., Fischl, B., & Sereno, M. I. (1999). *Cortical Surface-Based Analysis*. 16.
- 607 Deardorff, J., Hoyt, L. T., Carter, R., & Shirtcliff, E. A. (2019). Next Steps in Puberty
608 Research: Broadening the Lens Toward Understudied Populations. *Journal of*

- 609 *Research on Adolescence : The Official Journal of the Society for Research on*
610 *Adolescence*, 29(1), 133–154. <https://doi.org/10.1111/jora.12402>
- 611 Enders, C. K. (2010). *Applied Missing Data Analysis*. Guilford Press.
- 612 Ferschmann, L., Bos, M. G. N., Herting, M. M., Mills, K. L., & Tamnes, C. K. (2022).
613 Contextualizing adolescent structural brain development: Environmental determinants
614 and mental health outcomes. *Current Opinion in Psychology*, 44, 170–176.
615 <https://doi.org/10.1016/j.copsyc.2021.09.014>
- 616 Fischl, B., Salat, D. H., Busa, E., Albert, M., Dieterich, M., Haselgrove, C., van der Kouwe,
617 A., Killiany, R., Kennedy, D., Klaveness, S., Montillo, A., Makris, N., Rosen, B., &
618 Dale, A. M. (2002). Whole Brain Segmentation. *Neuron*, 33(3), 341–355.
619 [https://doi.org/10.1016/S0896-6273\(02\)00569-X](https://doi.org/10.1016/S0896-6273(02)00569-X)
- 620 Freedman, D. S., Khan, L. K., Serdula, M. K., Dietz, W. H., Srinivasan, S. R., & Berenson,
621 G. S. (2002). Relation of Age at Menarche to Race, Time Period, and Anthropometric
622 Dimensions: The Bogalusa Heart Study. *Pediatrics*, 110(4), e43.
623 <https://doi.org/10.1542/peds.110.4.e43>
- 624 Garavan, H., Bartsch, H., Conway, K., Decastro, A., Goldstein, R. Z., Heeringa, S., Jernigan,
625 T., Potter, A., Thompson, W., & Zahs, D. (2018). Recruiting the ABCD sample:
626 Design considerations and procedures. *Developmental Cognitive Neuroscience*, 32,
627 16–22. <https://doi.org/10.1016/j.dcn.2018.04.004>
- 628 Ge, X., Brody, G. H., Conger, R. D., & Simons, R. L. (2006). Pubertal Maturation and
629 African American Children’s Internalizing and Externalizing Symptoms. *Journal of*
630 *Youth and Adolescence*, 35(4), 528–537. <https://doi.org/10.1007/s10964-006-9046-5>
- 631 Ge, X., Conger, R. D., & Elder, G. H., Jr. (2001). The Relation between Puberty and
632 Psychological Distress in Adolescent Boys. *Journal of Research on Adolescence*,
633 11(1), 49–70. <https://doi.org/10.1111/1532-7795.00003>

- 634 Graber, J. A., Lewinsohn, P. M., Seeley, J. R., & Brooks-gunn, J. (1997). Is Psychopathology
635 Associated With the Timing of Pubertal Development? *Journal of the American*
636 *Academy of Child & Adolescent Psychiatry*, 36(12), 1768–1776.
637 <https://doi.org/10.1097/00004583-199712000-00026>
- 638 Grasby, K. L., Jahanshad, N., Painter, J. N., Colodro-Conde, L., Bralten, J., Hibar, D. P.,
639 Lind, P. A., Pizzagalli, F., Ching, C. R. K., McMahon, M. A. B., Shatokhina, N.,
640 Zsembik, L. C. P., Thomopoulos, S. I., Zhu, A. H., Strike, L. T., Agartz, I., Alhusaini,
641 S., Almeida, M. A. A., Alnæs, D., ... Enhancing NeuroImaging Genetics through
642 Meta-Analysis Consortium (ENIGMA)—Genetics working group. (2020). The
643 genetic architecture of the human cerebral cortex. *Science (New York, N.Y.)*,
644 367(6484), eaay6690. <https://doi.org/10.1126/science.aay6690>
- 645 Hagler, D. J., Hatton, Sean N., Cornejo, M. D., Makowski, C., Fair, D. A., Dick, A. S.,
646 Sutherland, M. T., Casey, B. J., Barch, D. M., Harms, M. P., Watts, R., Bjork, J. M.,
647 Garavan, H. P., Hilmer, L., Pung, C. J., Sicat, C. S., Kuperman, J., Bartsch, H., Xue,
648 F., ... Dale, A. M. (2019). Image processing and analysis methods for the Adolescent
649 Brain Cognitive Development Study. *NeuroImage*, 202, 116091.
650 <https://doi.org/10.1016/j.neuroimage.2019.116091>
- 651 Hagler Jr., D. J., Ahmadi, M. E., Kuperman, J., Holland, D., McDonald, C. R., Halgren, E., &
652 Dale, A. M. (2009). Automated white-matter tractography using a probabilistic
653 diffusion tensor atlas: Application to temporal lobe epilepsy. *Human Brain Mapping*,
654 30(5), 1535–1547. <https://doi.org/10.1002/hbm.20619>
- 655 Hayward, C. (2003). *Gender Differences at Puberty*. Cambridge University Press.
- 656 Herting, M. M., Gautam, P., Spielberg, J. M., Dahl, R. E., & Sowell, E. R. (2015). A
657 longitudinal study: Changes in cortical thickness and surface area during pubertal
658 maturation. *PloS One*, 10(3), e0119774. <https://doi.org/10.1371/journal.pone.0119774>

- 659 Herting, M. M., Kim, R., Uban, K. A., Kan, E., Binley, A., & Sowell, E. R. (2017).
660 Longitudinal changes in pubertal maturation and white matter microstructure.
661 *Psychoneuroendocrinology*, *81*, 70–79.
662 <https://doi.org/10.1016/j.psyneuen.2017.03.017>
- 663 Herting, M. M., Maxwell, E. C., Irvine, C., & Nagel, B. J. (2012). The Impact of Sex,
664 Puberty, and Hormones on White Matter Microstructure in Adolescents. *Cerebral*
665 *Cortex (New York, NY)*, *22*(9), 1979–1992. <https://doi.org/10.1093/cercor/bhr246>
- 666 Herting, M. M., & Sowell, E. R. (2017). Puberty and structural brain development in humans.
667 *Frontiers in Neuroendocrinology*, *44*, 122–137.
668 <https://doi.org/10.1016/j.yfrne.2016.12.003>
- 669 Herting, M. M., Uban, K. A., Gonzalez, M. R., Baker, F. C., Kan, E. C., Thompson, W. K.,
670 Granger, D. A., Albaugh, M. D., Anokhin, A. P., Bagot, K. S., Banich, M. T., Barch,
671 D. M., Baskin-Sommers, A., Breslin, F. J., Casey, B. J., Charani, B., Chang, L.,
672 Clark, D. B., Cloak, C. C., ... Sowell, E. R. (2021). Correspondence Between
673 Perceived Pubertal Development and Hormone Levels in 9-10 Year-Olds From the
674 Adolescent Brain Cognitive Development Study. *Frontiers in Endocrinology*, *11*,
675 549928. <https://doi.org/10.3389/fendo.2020.549928>
- 676 Holm, M. C., Leonardsen, E. H., Beck, D., Dahl, A., Kjelkenes, R., de Lange, A.-M. G., &
677 Westlye, L. T. (2022). *Linking brain maturation and puberty during early*
678 *adolescence using longitudinal brain age prediction in the ABCD cohort* [Preprint].
679 *Psychiatry and Clinical Psychology*. <https://doi.org/10.1101/2022.05.16.22275146>
- 680 Huddleston, J., & Ge, X. (2003). Boys at puberty: Psychosocial implications. In *Gender*
681 *differences at puberty* (pp. 113–134). Cambridge University Press.
682 <https://doi.org/10.1017/CBO9780511489716.008>

- 683 Kaplowitz, P. B., Slora, E. J., Wasserman, R. C., Pedlow, S. E., & Herman-Giddens, M. E.
684 (2001). Earlier onset of puberty in girls: Relation to increased body mass index and
685 race. *Pediatrics*, *108*(2), 347–353. <https://doi.org/10.1542/peds.108.2.347>
- 686 Karcher, N. R., Barch, D. M., Avenevoli, S., Savill, M., Huber, R. S., Simon, T. J., Leckliter,
687 I. N., Sher, K. J., & Loewy, R. L. (2018). Assessment of the Prodromal
688 Questionnaire–Brief Child Version for Measurement of Self-reported Psychoticlike
689 Experiences in Childhood. *JAMA Psychiatry*, *75*(8), 853–861.
690 <https://doi.org/10.1001/jamapsychiatry.2018.1334>
- 691 Kievit, R. A., Brandmaier, A. M., Ziegler, G., van Harmelen, A.-L., de Mooij, S. M. M.,
692 Moutoussis, M., Goodyer, I. M., Bullmore, E., Jones, P. B., Fonagy, P., Lindenberger,
693 U., & Dolan, R. J. (2018). Developmental cognitive neuroscience using latent change
694 score models: A tutorial and applications. *Developmental Cognitive Neuroscience*, *33*,
695 99–117. <https://doi.org/10.1016/j.dcn.2017.11.007>
- 696 Koolschijn, P. C. M. P., Peper, J. S., & Crone, E. A. (2014). The Influence of Sex Steroids on
697 Structural Brain Maturation in Adolescence. *PLOS ONE*, *9*(1), e83929.
698 <https://doi.org/10.1371/journal.pone.0083929>
- 699 Koopman-Verhoeff, M. E., Gredvig-Ardito, C., Barker, D. H., Saletin, J. M., & Carskadon,
700 M. A. (2020). Classifying Pubertal Development Using Child and Parent Report:
701 Comparing the Pubertal Development Scales to Tanner Staging. *Journal of*
702 *Adolescent Health*, *66*(5), 597–602. <https://doi.org/10.1016/j.jadohealth.2019.11.308>
- 703 Lebel, C., & Deoni, S. (2018). The development of brain white matter microstructure.
704 *NeuroImage*, *182*, 207–218. <https://doi.org/10.1016/j.neuroimage.2017.12.097>
- 705 Marceau, K., Kirisci, L., & Tarter, R. E. (2019). Correspondence of Pubertal Neuroendocrine
706 and Tanner Stage Changes in Boys and Associations With Substance Use. *Child*
707 *Development*, *90*(6), e763–e782. <https://doi.org/10.1111/cdev.13101>

- 708 McNeilly, E. A., Saragosa-Harris, N. M., Mills, K. L., Dahl, R. E., & Magis-Weinberg, L.
709 (2022). Reward sensitivity and internalizing symptoms during the transition to
710 puberty: An examination of 9-and 10-year-olds in the ABCD Study. *Developmental*
711 *Cognitive Neuroscience*, 58, 101172. <https://doi.org/10.1016/j.dcn.2022.101172>
- 712 Mendle, J., & Ferrero, J. (2012). Detrimental psychological outcomes associated with
713 pubertal timing in adolescent boys. *Developmental Review*, 32(1), 49–66.
714 <https://doi.org/10.1016/j.dr.2011.11.001>
- 715 Mendle, J., Harden, K. P., Brooks-Gunn, J., & Graber, J. A. (2010). Development’s tortoise
716 and hare: Pubertal timing, pubertal tempo, and depressive symptoms in boys and girls.
717 *Developmental Psychology*, 46(5), 1341–1353. <https://doi.org/10.1037/a0020205>
- 718 Menzies, L., Goddings, A.-L., Whitaker, K. J., Blakemore, S.-J., & Viner, R. M. (2014). The
719 effects of puberty on white matter development in boys. *Developmental Cognitive*
720 *Neuroscience*, 11, 116–128. <https://doi.org/10.1016/j.dcn.2014.10.002>
- 721 Mills, K. L., Goddings, A.-L., Herting, M. M., Meuwese, R., Blakemore, S.-J., Crone, E. A.,
722 Dahl, R. E., Güroğlu, B., Raznahan, A., Sowell, E. R., & Tamnes, C. K. (2016).
723 Structural brain development between childhood and adulthood: Convergence across
724 four longitudinal samples. *NeuroImage*, 141, 273–281.
725 <https://doi.org/10.1016/j.neuroimage.2016.07.044>
- 726 Nguyen, T.-V., McCracken, J., Ducharme, S., Botteron, K. N., Mahabir, M., Johnson, W.,
727 Israel, M., Evans, A. C., Karama, S., & for the Brain Development Cooperative
728 Group. (2013). Testosterone-Related Cortical Maturation Across Childhood and
729 Adolescence. *Cerebral Cortex*, 23(6), 1424–1432.
730 <https://doi.org/10.1093/cercor/bhs125>
- 731 Parent, A.-S., Teilmann, G., Juul, A., Skakkebaek, N. E., Toppari, J., & Bourguignon, J.-P.
732 (2003). The Timing of Normal Puberty and the Age Limits of Sexual Precocity:

- 733 Variations around the World, Secular Trends, and Changes after Migration.
734 *Endocrine Reviews*, 24(5), 668–693. <https://doi.org/10.1210/er.2002-0019>
- 735 Patton, G. C., McMorris, B. J., Toumbourou, J. W., Hemphill, S. A., Donath, S., & Catalano,
736 R. F. (2004). Puberty and the Onset of Substance Use and Abuse. *Pediatrics*, 114(3),
737 e300–e306. <https://doi.org/10.1542/peds.2003-0626-F>
- 738 Paus, T., Nawaz-Khan, I., Leonard, G., Perron, M., Pike, G. B., Pitiot, A., Richer, L.,
739 Susman, E., Veillette, S., & Pausova, Z. (2010). Sexual dimorphism in the adolescent
740 brain: Role of testosterone and androgen receptor in global and local volumes of grey
741 and white matter. *Hormones and Behavior*, 57(1), 63–75.
742 <https://doi.org/10.1016/j.yhbeh.2009.08.004>
- 743 Peper, J. S., Brouwer, R. M., Schnack, H. G., van Baal, G. C., van Leeuwen, M., van den
744 Berg, S. M., Delemarre-Van de Waal, H. A., Boomsma, D. I., Kahn, R. S., &
745 Hulshoff Pol, H. E. (2009). Sex steroids and brain structure in pubertal boys and girls.
746 *Psychoneuroendocrinology*, 34(3), 332–342.
747 <https://doi.org/10.1016/j.psyneuen.2008.09.012>
- 748 Peper, J. S., Schnack, H. G., Brouwer, R. M., Van Baal, G. C. M., Pjetri, E., Székely, E., van
749 Leeuwen, M., van den Berg, S. M., Collins, D. L., Evans, A. C., Boomsma, D. I.,
750 Kahn, R. S., & Hulshoff Pol, H. E. (2009). Heritability of regional and global brain
751 structure at the onset of puberty: A magnetic resonance imaging study in 9-year-old
752 twin pairs. *Human Brain Mapping*, 30(7), 2184–2196.
753 <https://doi.org/10.1002/hbm.20660>
- 754 Perrin, J. S., Hervé, P.-Y., Leonard, G., Perron, M., Pike, G. B., Pitiot, A., Richer, L.,
755 Veillette, S., Pausova, Z., & Paus, T. (2008). Growth of White Matter in the
756 Adolescent Brain: Role of Testosterone and Androgen Receptor. *The Journal of*

- 757 *Neuroscience*, 28(38), 9519–9524. <https://doi.org/10.1523/JNEUROSCI.1212->
758 08.2008
- 759 Perrin, J. S., Leonard, G., Perron, M., Pike, G. B., Pitiot, A., Richer, L., Veillette, S.,
760 Pausova, Z., & Paus, T. (2009). Sex differences in the growth of white matter during
761 adolescence. *NeuroImage*, 45(4), 1055–1066.
762 <https://doi.org/10.1016/j.neuroimage.2009.01.023>
- 763 Petersen, A. C., Crockett, L., Richards, M., & Boxer, A. (1988). A self-report measure of
764 pubertal status: Reliability, validity, and initial norms. *Journal of Youth and*
765 *Adolescence*, 17(2), 117–133. <https://doi.org/10.1007/BF01537962>
- 766 Pfefferbaum, A., Rohlfing, T., Pohl, K. M., Lane, B., Chu, W., Kwon, D., Nolan Nichols, B.,
767 Brown, S. A., Tapert, S. F., Cummins, K., Thompson, W. K., Brumback, T., Meloy,
768 M. J., Jernigan, T. L., Dale, A., Colrain, I. M., Baker, F. C., Prouty, D., De Bellis, M.
769 D., ... Sullivan, E. V. (2016). Adolescent Development of Cortical and White Matter
770 Structure in the NCANDA Sample: Role of Sex, Ethnicity, Puberty, and Alcohol
771 Drinking. *Cerebral Cortex (New York, NY)*, 26(10), 4101–4121.
772 <https://doi.org/10.1093/cercor/bhv205>
- 773 Pfeifer, J. H., & Allen, N. B. (2021). Puberty initiates cascading relationships between
774 neurodevelopmental, social, and internalizing processes across adolescence.
775 *Biological Psychiatry*, 89(2), 99–108. <https://doi.org/10.1016/j.biopsych.2020.09.002>
- 776 Raznahan, A., Shaw, P., Lalonde, F., Stockman, M., Wallace, G. L., Greenstein, D., Clasen,
777 L., Gogtay, N., & Giedd, J. N. (2011). How Does Your Cortex Grow? *The Journal of*
778 *Neuroscience*, 31(19), 7174–7177. <https://doi.org/10.1523/JNEUROSCI.0054->
779 11.2011
- 780 R Core Team (2022). R: A language and environment for statistical computing. R Foundation
781 for Statistical Computing, Vienna, Austria. URL <https://www.R-project.org/>.

- 782 Rosseel, Y. (2012). lavaan: An R Package for Structural Equation Modeling. *Journal of*
783 *Statistical Software*, 48(2), 1–36. <https://doi.org/10.18637/jss.v048.i02>
- 784 Savin-Williams, R. C., & Ream, G. L. (2006). Pubertal Onset and Sexual Orientation in an
785 Adolescent National Probability Sample. *Archives of Sexual Behavior*, 35(3), 279.
786 <https://doi.org/10.1007/s10508-006-9032-8>
- 787 Schlossberger, N. M., Turner, R. A., & Irwin, C. E. (1992). Validity of self-report of pubertal
788 maturation in early adolescents. *Journal of Adolescent Health*, 13(2), 109–113.
789 [https://doi.org/10.1016/1054-139X\(92\)90075-M](https://doi.org/10.1016/1054-139X(92)90075-M)
- 790 Stroud, C. B., & Davila, J. (2011). Pubertal Timing. In R. J. R. Levesque (Ed.), *Encyclopedia*
791 *of Adolescence* (pp. 2252–2258). Springer. [https://doi.org/10.1007/978-1-4419-1695-](https://doi.org/10.1007/978-1-4419-1695-2_14)
792 [2_14](https://doi.org/10.1007/978-1-4419-1695-2_14)
- 793 Stumper, A., Olino, T. M., Abramson, L. Y., & Alloy, L. B. (2019). Pubertal Timing and
794 Substance Use in Adolescence: An Investigation of Two Cognitive Moderators.
795 *Journal of Abnormal Child Psychology*, 47(9), 1509–1520.
796 <https://doi.org/10.1007/s10802-019-00524-7>
- 797 Tamnes, C. K., Herting, M. M., Goddings, A.-L., Meuwese, R., Blakemore, S.-J., Dahl, R. E.,
798 Güroğlu, B., Raznahan, A., Sowell, E. R., Crone, E. A., & Mills, K. L. (2017).
799 Development of the Cerebral Cortex across Adolescence: A Multisample Study of
800 Inter-Related Longitudinal Changes in Cortical Volume, Surface Area, and Thickness.
801 *The Journal of Neuroscience: The Official Journal of the Society for Neuroscience*,
802 37(12), 3402–3412. <https://doi.org/10.1523/JNEUROSCI.3302-16.2017>
- 803 Tamnes, C. K., Roalf, D. R., Goddings, A.-L., & Lebel, C. (2018). Diffusion MRI of white
804 matter microstructure development in childhood and adolescence: Methods,
805 challenges and progress. *Developmental Cognitive Neuroscience*, 33, 161–175.
806 <https://doi.org/10.1016/j.dcn.2017.12.002>

- 807 Tooley, U. A., Bassett, D. S., & Mackey, A. P. (2021). Environmental influences on the pace
808 of brain development. *Nature Reviews Neuroscience*, 22(6), Article 6.
809 <https://doi.org/10.1038/s41583-021-00457-5>
- 810 Ullsperger, J. M., & Nikolas, M. A. (2017). A meta-analytic review of the association
811 between pubertal timing and psychopathology in adolescence: Are there sex
812 differences in risk? *Psychological Bulletin*, 143(9), 903–938.
813 <https://doi.org/10.1037/bul0000106>
- 814 Vijayakumar, N., Youssef, G. J., Allen, N. B., Anderson, V., Efron, D., Hazell, P., Mundy,
815 L., Nicholson, J. M., Patton, G., Seal, M. L., Simmons, J. G., Whittle, S., & Silk, T.
816 (2021). A longitudinal analysis of puberty-related cortical development. *NeuroImage*,
817 228, 117684. <https://doi.org/10.1016/j.neuroimage.2020.117684>
- 818 Wierenga, L. M., Bos, M. G. N., Schreuders, E., vd Kamp, F., Peper, J. S., Tamnes, C. K., &
819 Crone, E. A. (2018). Unraveling age, puberty and testosterone effects on subcortical
820 brain development across adolescence. *Psychoneuroendocrinology*, 91, 105–114.
821 <https://doi.org/10.1016/j.psyneuen.2018.02.034>
822