

Fronto-limbic neural variability as a transdiagnostic correlate of emotion dysregulation

Supplemental Information

Supplementary Methods

MRI acquisition parameters

Geneva (Site 1)

MRI data were acquired at the University of Geneva on a 3T Siemens MAGNETOM TrioTim scanner with a 32-channel head coil. A resting state functional magnetic resonance imaging (rs-fMRI) sequence as well as an anatomical T1-weighted scan were acquired. Whole brain functional images were collected using a BOLD-weighted EPI sequence (TR/TE = 2100/30 ms; flip angle = 80 degrees; PAT factor = 2; FOV = 205 mm; matrix size = 64 x 64 pixels). Thirty-six transversal slices were acquired sequentially with a 3.2 mm thickness and an interslice gap of 3.84 mm, yielding a voxel size of 3.2 x 3.2 x 3.2 mm. 250 volumes were acquired for a total duration of 8 minutes 45 seconds. Subjects were instructed to close their eyes and let their thoughts wander, and not to fall asleep. A high-resolution whole brain anatomical scan was acquired with a T1-weighted 3D sequence (MPRAGE; TR/TI/TE = 1900/900/2.27 ms; flip angle = 9 degrees; voxel dimensions = 1.0 mm isotropic).

Paris (Site 2)

MRI data were collected at Neurospin (Commissariat à l'Energie Atomique, Saclay, France) using a 3T Siemens Magnetom TrioTim with a 12-channel head coil. The rs-fMRI images were collected using the following acquisition parameters: EPI sequence; TR/TE = 2000/27 ms; flip angle = 81 degrees, FOV = 192 mm, voxel size = 3 x 3 x 3 mm. 360 volumes were acquired for a total duration of 12 minutes. Participants were instructed to close their eyes and try not to think about anything specific, without falling asleep. A high-resolution T1-weighted anatomical scan was also acquired (MPRAGE; TR/TI/TE = 2300/900/2.98 ms; flip angle = 9 degrees; voxel dimensions = 1 x 1 x 1.1 mm).

Grenoble (Sites 3 and 4)

Imaging data were acquired using two whole-body 3T MR scanners (Bruker MedSpec S300 and Achieva 3.0 TX Philips) at the Grenoble MRI facility IRMaGE with a similar fMRI acquisition sequence. Sixteen and 28 patients with BD were scanned on the first and second scanner, respectively. Functional images were acquired using the following acquisition parameters for both scanners: interleaved EPI sequence, T2*-weighted; TR/TE = 2500/30 ms; flip angle = 77 degrees; FOV = 216 mm; matrix size = 72 x 72 pixels). Thirty-nine slices were acquired transversally on the Bruker scanner, with a 3.5 mm thickness, and an interslice gap of 3 mm, yielding a voxel size of 3 x 3 x 3.5 mm. Thirty-seven slices were acquired transversally on the Philips scanner with a 3 mm thickness, an interslice gap of 3 mm, and a voxel size of 3 x 3 x 3.75 mm. volumes were acquired on both scanners for a total duration of 6 minutes. Subjects were asked to stay awake with their eyes open and to not think about anything in particular. A high-resolution whole brain anatomical scan was acquired with a T1-weighted 3D sequence (TR/TI/TE = 1900/900/2.27 ms; flip angle = 9 degrees; voxel dimensions = 0.8 mm isotropic; acquisition matrix 280 x 320 x 220 pixels). A 3D Modified Driven Equilibrium Fourier Transform (MDEFT) and a turbo field echo (TFE) sequence were used for acquisitions using the Bruker and the Philips scanners, respectively.

Medication use

Medication was categorized by the affected neurotransmitter system, according to the Neuroscience-based Nomenclature (NbN-2, (Zohar et al. 2014, 2015), <https://nbn2r.com/>). Targeted neurotransmitters included the dopaminergic, GABAergic, glutamatergic, lithium, norepinephrinergic, and serotonergic. Posthoc analyses involving the use of “other” medication were not tested, because these medications were very heterogeneous and not necessarily psychotropic. In a control analysis, we also classified medication by medication class (e.g., antidepressants, mood stabilizers, etc.). The list of all medications used by participants, and their categorization into targeted neurotransmitter(s) and medication class can be found in **Supplementary Table S1**.

Partial least squares analysis

Partial least squares (PLS) is a multivariate data-driven statistical technique that aims to extract latent components (also called latent variables), representing optimal brain-behavior associations (McIntosh and Lobaugh 2004; Krishnan et al. 2011). While it is

mechanistically similar to canonical correlation analysis (CCA), PLS has the advantage of not suffering from rank deficiency when the number of features is higher than the number of sample, or in case of high autocorrelation (e.g., spatial autocorrelation or correlation between behavioral variables), which makes it ideally suited for neuroimaging data (McIntosh and Mišić 2013).

BOLD signal variability maps are stored in X (participants \times voxels), while the clinical data are stored in Y (participants \times behavioral measures). After z-scoring both matrices across all participants, we computed a cross-covariance matrix R :

$$R = Y^T X$$

followed by singular value decomposition of R , which provides the reconstruction of R by matrices U , S , and V :

$$R = USV^T$$

The singular vectors V and U are called the *brain* and *behavior saliences* (akin to loadings in principal components analysis), while S is a diagonal matrix containing the singular values. Next, we computed L_X and L_Y by projecting X and Y onto their respective saliences V and U :

$$L_X = XV$$

$$L_Y = YU$$

The matrices obtained (one for the imaging data and one for the behavior data, per LC) are called *brain* and *behavior scores* (akin to the scores in principal components analysis) and reflect the participants' imaging and behavioral contribution to each LC.

The covariance explained by each LC is estimated by dividing the squared singular value by the sum of all squared singular values, and the LCs are ordered by the amount of covariance they account for.

The contribution of the original variables to the LC relied on *structure coefficients*, i.e., Pearson's correlations between X and L_X , as well as between Y and L_Y (Courville and Thompson 2001; Henson 2002). Structure coefficients are commonly used in factor analysis, multiple regression analysis and CCA, as they help to define the structure of the synthetic variables, and thereby reflect the direct contribution of a predictor to the predictor criterion (independently of other predictors), which can be critical when predictors are highly correlated between each other (i.e., in presence of multicollinearity (Sherry and Henson 2005)). Notably, structure coefficients were high correlated to saliences in our data ($r = 0.90$, $r = 1$ with brain and behavior saliences of LC1, respectively).

Control analyses

A number of control analyses were computed to assess the robustness of our results. To begin with, we tested if there were any significant associations between PLS brain (or behavioral) scores and disease severity, as well as medication use. These posthoc analyses were corrected for multiple comparisons at a false discovery rate (FDR) of $q < 0.05$.

We also ran a number of control PLS analyses (detailed below), whereby we examined the similarity (i.e., Pearson correlation) between the saliences (i.e., brain and behavioral) obtained in the original PLS model and the saliences obtained in the control analyses. First, since recent reports have implicated the cerebellum in emotion and cognitive processes (Green et al. 2007; Buckner 2013; Moberget et al. 2018), the PLS analysis was re-computed after including the cerebellum in BOLD signal variability maps ($N = 133$), after excluding participants with incomplete cerebellar coverage. Second, we re-ran the analysis in participants with available education level data ($N = 138$), after adding it to the other regressors. Furthermore, there is substantial evidence showing that early life trauma impacts the clinical expression of mood disorders (Aas et al. 2014); therefore, we re-computed the analysis in participants who were administered the Childhood Trauma Questionnaire ($N = 138$) after adding its total score to the regressors. In order to test whether the LCs were driven by group differences between controls and patients, the PLS analysis was re-computed only in patients. Because scanner can crucially impact imaging measures, we re-ran our analysis by including only participants from Geneva, which was the only site that included individuals from all four diagnostic groups.

Finally, in order to account for disease severity, we regressed disease duration and number of hospitalizations from the imaging data before re-computing PLS.

Supplementary Results

Control analyses

Including the cerebellum in BOLD signal variability maps ($N = 133$) yielded very similar patterns (Pearson $r = 0.94$, $r = 1$ with the original brain and behavior saliences of LC1, respectively). After accounting for education level ($N = 138$), the brain-behavior association remained significant ($p = 0.006$), and very similar to the original results ($r = 0.65$, $r = 0.90$ with the original brain and behavior saliences, respectively). When accounting for early life trauma ($N = 138$), results were moderately similar to the original analysis ($r = -0.54$, $r = 0.40$ with the original brain and behavior saliences, respectively). When considering only patients (i.e., excluding control participants from the analysis), results were very similar to the original analysis ($r = 0.65$, $r = 1$ with the original brain and behavior saliences, respectively). To account for scanner effects, we re-ran permutation testing (i.e., a null distribution of the singular values) accounting for scanner, and found that LC1 remained significant ($p = 0.021$). We also computed another control analysis considering participants from only one site (Geneva; $N = 71$) as it was the only site that included individuals from all four diagnostic groups, and we found moderate to very high similarity with the original results ($r = -0.50$, $r = 0.98$ with brain and behavior saliences, respectively).

When accounting for disease severity (i.e., disease duration, number of hospitalizations), we found that LC1 was no longer significant; this may be due to the low sample size, as many patients were missing these information (N between 55 and 82).

Table S1. Medication sorted by targeted neurotransmitter system(s) and medication class. Categorization by targeted neurotransmitter was based on the Neuroscience-based Nomenclature (NbN-2 (Zohar et al. 2014, 2015); <https://nbn2r.com/>). Possible neurotransmitter targets were the acetylcholinergic, dopaminergic, epinephrinergetic, GABAergic, glutamatergic, histaminic, lithium, norepinephrinergetic, and serotonergic systems, as well as “other” (which included medication not targeting any neurotransmitter system). Medication targeting the acetylcholinergic, epinephrinergetic, and histaminic systems were merged with “other” as these categories had too few participants (≤ 2) on their own. Medication classes comprised typical and atypical antipsychotics, antidepressants, mood stabilizers, sedatives/hypnotics/anxiolytics (SHA), stimulants, and “other”.

Molecule / Medication	Targeted neurotransmitter(s)	Medication class
Alimemazine / Theralene	Dopamine, Histamine	Typical antipsychotic
Almotriptan / Almogran	Serotonin	Antidepressant
Amisulpride / Solian	Dopamine	Atypical antipsychotic
Amlodipine / Amlor	Other	Other
Aripiprazole / Abilify	Dopamine, Serotonin	Atypical antipsychotic
Atomoxetine / Strattera	Norepinephrine	Stimulant
Biopros	Other	Other
Bupropion / Wellbutrin	Dopamine, Norepinephrine	Antidepressant
Bupirone	Serotonin	SHA
Carbamazepine / Tegretol	Glutamate	Mood stabilizer
Chlorpromazine / Largactil, Prazine	Dopamine, Serotonin	Typical antipsychotic
Citalopram / Seropram	Serotonin	Antidepressant
Clonazepam / Rivotril	GABA	SHA
Clorazepate / Potassium clorazepate	GABA	Other
Cyamemazine / Tercian	Dopamine, Serotonin	Typical antipsychotic
Dexmethylphenidate / Focalin	Dopamine, Norepinephrine	Stimulant
Diazepam / Valium	GABA	SHA
Eschscholtia	Other	Other
Escitalopram / Cipralext, Seroplex	Serotonin	Antidepressant
Estrogen / various birth control	Other	Other
Ezetimibe / Inegy	Other	Other
Fenofibrate	Other	Other
Fluoxetine / Prozac	Serotonin	Antidepressant
Flurazepam / Dalmadorm	GABA	SHA
Gabapentin / Neurontin	Glutamate	Other
Gestodene / various birth control	Other	Other
Iron, ferrous sulfate / Tardyferon	Other	Other
Lamotrigine / Lamictal	Glutamate	Mood stabilizer
Levomepromazine	Dopamine, Serotonin	Typical antipsychotic
Levonorgestrel / various birth control	Other	Other
Levothyroxine sodium	Other	Other
Lisdexamfetamine / Elvanse	Dopamine, Norepinephrine	Stimulant
Lithium / Lithiofor, Priadel, Teralithe	Lithium	Mood stabilizer
Lorazepam / Temesta	GABA	SHA
Loxapine	Dopamine, Serotonin	Typical antipsychotic
Melatonin / Circadin	Other	Other

Methylphenidate / Ritaline, Concerta	Dopamine, Norepinephrine	Stimulant
Mirtazapine	Serotonin, Norepinephrine	Antidepressant
Nicotine / Nicopass, Nicorette	Other	Other
Nux vomica	Other	Other
Olanzapine / Zyprexa	Dopamine, Serotonin	Atypical antipsychotic
Oxazepam / Anxiolit	GABA	SHA
Oxcarbazepine / Trileptal	Glutamate	Mood stabilizer
Paroxetine / Deroxat	Serotonin	Antidepressant
Saccharomyces boulardii / Perenterol	Other	Other
Prazepam / Lysanxia	GABA	SHA
Progestin / various birth control	Other	Other
Progestogen / various birth control	Other	Other
Quetiapine / Seroquel, Xeroquel	Dopamine, Serotonin	Atypical antipsychotic
Rabeprazole / Pariet	Other	Other
Risperidone / Risperdal, Risperdaloro	Dopamine, Serotonin, Norepinephrine	Atypical antipsychotic
Salmeterol / other drugs for obstructive airway diseases	Epinephrine	Other
Sertraline / Zoloft	Serotonin	Antidepressant
Simvastatin / Inegy	Other	Other
Topiramate / Topamax	Glutamate, GABA	Mood stabilizer
Tropatepine / Lepticur	Acetylcholine	Other
Valproic acid, valproate / Depakin, Depakote, Orfiril	Glutamate	Mood stabilizer
Valpromide / Depamide	Glutamate	Mood stabilizer
Venlafaxine / Effexor	Serotonin, Norepinephrine	Antidepressant
Verapamil	Other	Other
Zolmitriptan / Zomig	Serotonin	Other
Zolpidem / Stillnox	GABA	SHA
Zopiclone / Imovane	GABA	SHA

Table S2. Contribution of each behavioral measure to LC1. Pearson's correlations between participants' behavioral measures and their behavioral scores, along with their bootstrap-estimated standard deviations (SD) are shown. Absolute Z scores above 3 were considered reliable ($p > 0.01$) and are indicated in bold.

Behavior variable	Correlation (SD)	Z-score
Affective lability (ALS)	0.89 (0.18)	4.40
Depression (MADRS)	0.83 (0.19)	4.35
Mania (YMRS)	0.46 (0.25)	1.80

Table S3. Anatomical regions and MNI coordinates of BOLD signal variability clusters that reliably contributed to LC1 (absolute z-scores ≥ 3). Anatomical labels were determined using the Anatomy toolbox (v.3) in SPM12, which applies probabilistic algorithms to determine the cytoarchitectonic labeling of MNI coordinates (Eickhoff et al. 2005, 2006, 2007).

Anatomical region	Cluster size	MNI coordinates			Z-score
		x	y	z	
<i>Positive clusters</i>					
L Superior parietal lobule / Postcentral gyrus	326	-12	-7	77	3.99
R Hippocampus / Parahippocampal gyrus	247	21	-16	-13	3.37
R Superior frontal gyrus / Precentral gyrus	220	12	-1	74	3.70
L Frontal pole / Paracingulate gyrus	208	-3	56	5	3.74
R Superior frontal gyrus / Postcentral gyrus	126	15	-34	80	3.51
R Frontal pole / Superior frontal gyrus	124	18	56	35	3.38
L Frontal pole / Superior frontal gyrus	92	-21	44	38	3.25
R Insular cortex / Planum polare	83	36	-13	5	3.35
L Anterior cingulate gyrus / Paracingulate gyrus	67	-3	-4	41	3.13
R Temporal pole / Frontal orbital cortex	62	45	17	-16	2.97
L Superior frontal gyrus / Paracingulate gyrus	39	-3	50	35	2.80
R Middle temporal gyrus / Inferior temporal gyrus	36	60	-52	-7	2.94
R Inferior temporal gyrus / Temporal occipital fusiform cortex	35	51	-49	-19	3.49
L Insular cortex / Planum polare	30	-36	8	-16	2.90
L Superior lateral occipital cortex	28	-21	-70	44	3.08
R Superior lateral occipital cortex	26	27	-67	47	3.19
R Temporal fusiform cortex / Inferior temporal gyrus	22	30	-1	-49	2.72
L Temporal pole	20	-51	11	-13	2.72
<i>Negative clusters</i>					
L Inferior lateral occipital cortex / Occipital pole	659	-60	-67	20	3.91
L Frontal pole / Frontal medial cortex	245	-30	65	-10	3.59
R Frontal pole	165	42	56	-13	3.74
L Postcentral gyrus / Precentral gyrus	165	-48	-13	32	3.81
R Cuneal cortex / Occipital pole	162	3	-88	29	3.21
R Angular gyrus / Supramarginal gyrus	147	60	-61	29	3.67
L Middle temporal gyrus	133	-54	-13	-16	3.33
R Postcentral gyrus / Precentral gyrus	89	69	-7	17	3.56
L Planum temporale / Heschl's gyrus	63	-54	-19	5	3.27
L Putamen / Frontal orbital cortex	60	-27	11	-7	2.78
L Inferior temporal gyrus	58	-54	-37	-28	3.83
R Occipital pole / Inferior lateral occipital cortex	55	36	-94	-7	3.02
L Frontal orbital cortex / Frontal operculum cortex	44	-30	26	-7	3.19
R Frontal orbital cortex / Subcallosal cortex	39	9	17	-25	3.44

L Frontal orbital cortex / Subcallosal cortex	35	-9	14	-25	2.96
R Inferior lateral occipital cortex	35	54	-76	5	3.31
L Middle frontal gyrus / Inferior frontal gyrus, pars opercularis	33	-39	11	26	3.05
L Middle temporal gyrus	23	-54	-49	2	3.20
R Inferior temporal gyrus	20	54	-28	-31	2.86

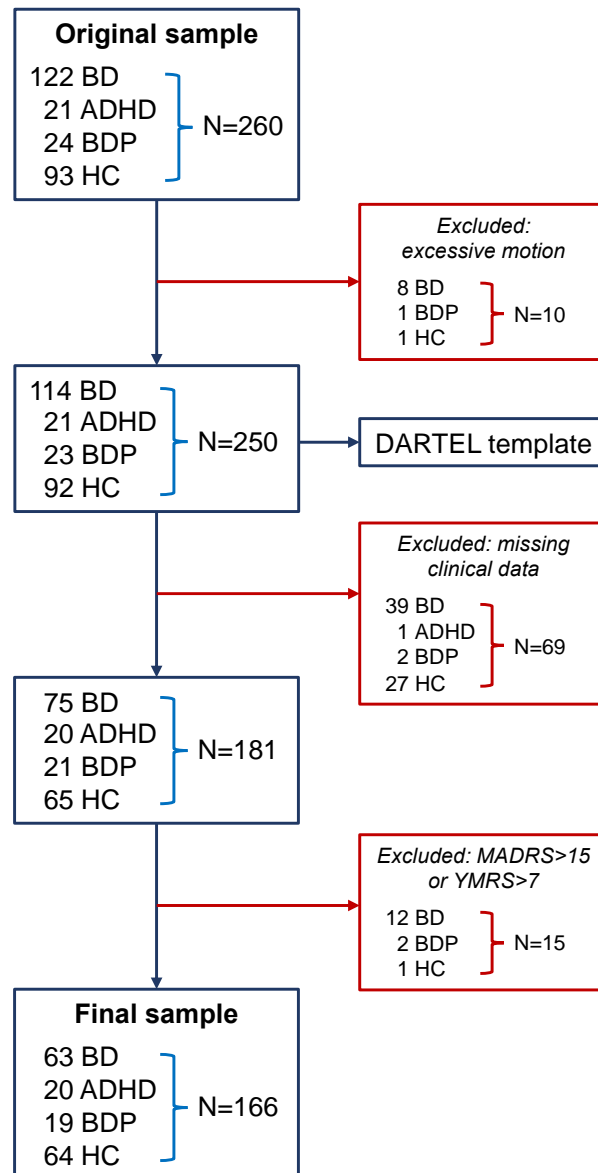
Table S4. Post-hoc associations between participations' brain (or behavioral) scores and medication use (categorized by medication class). T-tests were used to compare brain (or behavioral scores) between participants that used one type of medication compared to participants that didn't use that type of medication. Significant t-tests that survived FDR correction ($q > 0.05$) are indicated in bold.

	Brain scores		Behavior scores	
	<i>t</i>	<i>p</i>	<i>t</i>	<i>p</i>
<i>Medication use (by class)</i>				
Typical antipsychotics	1.38	0.170	-1.69	0.093
Atypical antipsychotics	-1.63	0.106	-1.85	0.066
Antidepressants	-0.12	0.902	-2.08	0.039
Mood stabilizers	1.10	0.273	-0.88	0.383
Sedates/Hypnotics/Anxiolytics	1.00	0.321	-0.78	0.434
Stimulants	-2.94	0.004	-0.90	0.370

Table S5. Similarity (Pearson correlation) between the saliences of each control analysis and the original saliences.

	<i>Including cerebellum</i>	<i>Regressing education</i>	<i>Regressing early life trauma</i>	<i>Patients only</i>	<i>Geneva only</i>
Correlations with original behavior saliences	1.00	0.90	0.40	1.00	0.98
Correlations with original imaging saliences	0.94	0.65	-0.54	0.65	-0.50

Figure S1. Flowchart illustrating the composition of the original sample and final sample, and the number of subjects excluded based on different criteria. *Abbreviations: ADHD = attention deficit/hyperactivity disorder; BD = bipolar disorder; BDP = borderline personality disorder; HC= healthy controls.*



Supplementary References

- Aas M, Aminoff SR, Vik Lagerberg T, Etain B, Agartz I, Andreassen OA, et al. Affective lability in patients with bipolar disorders is associated with high levels of childhood trauma. *Psychiatry Res.* 2014 Aug 15;218(1–2):252–5.
- Buckner RL. The Cerebellum and Cognitive Function: 25 Years of Insight from Anatomy and Neuroimaging. *Neuron.* 2013 Oct;80(3):807–15.
- Courville T, Thompson B. Use of structure coefficients in published multiple regression articles: β is not enough. *Educ Psychol Meas.* 2001;61(2):229–248.
- Eickhoff SB, Heim S, Zilles K, Amunts K. Testing anatomically specified hypotheses in functional imaging using cytoarchitectonic maps. *NeuroImage.* 2006 Aug 15;32(2):570–82.
- Eickhoff SB, Paus T, Caspers S, Grosbras M-H, Evans AC, Zilles K, et al. Assignment of functional activations to probabilistic cytoarchitectonic areas revisited. *NeuroImage.* 2007 Jul 1;36(3):511–21.
- Eickhoff SB, Stephan KE, Mohlberg H, Grefkes C, Fink GR, Amunts K, et al. A new SPM toolbox for combining probabilistic cytoarchitectonic maps and functional imaging data. *NeuroImage.* 2005 May 1;25(4):1325–35.
- Green MJ, Cahill CM, Malhi GS. The cognitive and neurophysiological basis of emotion dysregulation in bipolar disorder. *J Affect Disord.* 2007 Nov;103(1–3):29–42.
- Gu Z, Gu L, Eils R, Schlesner M, Brors B. circlize Implements and enhances circular visualization in R. *Bioinforma Oxf Engl.* 2014 Oct;30(19):2811–2.
- Henson RK. *The Logic and Interpretation of Structure Coefficients in Multivariate General Linear Model Analyses.* 2002;
- Krishnan A, Williams LJ, McIntosh AR, Abdi H. Partial Least Squares (PLS) methods for neuroimaging: a tutorial and review. *NeuroImage.* 2011 May 15;56(2):455–75.
- Le Floch E, Guillemot V, Frouin V, Pinel P, Lalanne C, Trinchera L, et al. Significant correlation between a set of genetic polymorphisms and a functional brain network revealed by feature selection and sparse Partial Least Squares. *NeuroImage.* 2012 Oct 15;63(1):11–24.
- McIntosh AR, Lobaugh NJ. Partial least squares analysis of neuroimaging data: applications and advances. *NeuroImage.* 2004;23 Suppl 1:S250-263.
- McIntosh AR, Mišić B. Multivariate statistical analyses for neuroimaging data. *Annu Rev Psychol.* 2013;64:499–525.
- Moberget T, Alnæs D, Kaufmann T, Doan NT, Córdova-Palomera A, Norbom LB, et al. Cerebellar grey matter volume is associated with cognitive function and psychopathology in adolescence [Internet]. *Neuroscience*; 2018 Mar. Available from: <http://biorxiv.org/lookup/doi/10.1101/288134>

- Monteiro JM, Rao A, Shawe-Taylor J, Mourão-Miranda J, Alzheimer's Disease Initiative. A multiple hold-out framework for Sparse Partial Least Squares. *J Neurosci Methods*. 2016 15;271:182–94.
- Sherry A, Henson RK. Conducting and interpreting canonical correlation analysis in personality research: a user-friendly primer. *J Pers Assess*. 2005 Feb;84(1):37–48.
- Smith SM, Nichols TE, Vidaurre D, Winkler AM, Behrens TEJ, Glasser MF, et al. A positive-negative mode of population covariation links brain connectivity, demographics and behavior. *Nat Neurosci*. 2015 Nov;18(11):1565–7.
- Xia CH, Ma Z, Ciric R, Gu S, Betzel RF, Kaczkurkin AN, et al. Linked dimensions of psychopathology and connectivity in functional brain networks. *Nat Commun*. 2018 Aug 1;9(1):3003.
- Zohar J, Nutt DJ, Kupfer DJ, Moller H-J, Yamawaki S, Spedding M, et al. A proposal for an updated neuropsychopharmacological nomenclature. *Eur Neuropsychopharmacol J Eur Coll Neuropsychopharmacol*. 2014 Jul;24(7):1005–14.
- Zohar J, Stahl S, Moller H-J, Blier P, Kupfer D, Yamawaki S, et al. A review of the current nomenclature for psychotropic agents and an introduction to the Neuroscience-based Nomenclature. *Eur Neuropsychopharmacol J Eur Coll Neuropsychopharmacol*. 2015 Dec;25(12):2318–25.
- Zöllner D, Schaer M, Scariati E, Padula MC, Eliez S, Van De Ville D. Disentangling resting-state BOLD variability and PCC functional connectivity in 22q11.2 deletion syndrome. *NeuroImage*. 2017 Apr 1;149:85–97.