

1 **3D Printed Snorkel Mask Adapter for Failed N95 Fit Tests and PPE Shortages**

2 Shiv Dalla MS¹, Rohit Shinde MS², Jack Ayres BS¹, Stephen Waller MD¹, Jay Nachtigal MD¹

3

4 ¹University of Kansas Medical Center

5 ²Unaffiliated

6

7

8

9

10

11 Corresponding author information:

12 Shiv Dalla MS

13 2200 W 47th Pl, Apt 304

14 Westwood, KS 66205

15 Phone: (316) 250-9933

16 sdalla@kumc.edu

17

18 **ABSTRACT**

19 Introduction

20 The shortage of personal protective equipment (PPE) across the country has been widely
21 discussed throughout the COVID-19 pandemic. Unfortunately, recent reports indicate that PPE
22 shortages persist amidst continually increasing caseloads nationwide. Additionally, there have
23 been reports of poor-fitting masks, a problem which is magnified by shortages. The lack of
24 adequate access to conventional N95 masks pushed for some to pursue 3D printing and locally
25 distributing their own manufactured masks as substitutes when PPE, including N95 masks, were
26 not readily available. The design presented, the snorkel mask adapter, is one such design born
27 from the local maker community in partnership with local physicians and hospitals. This article
28 discusses the design, manufacturing, and validation of the snorkel mask adapter and its
29 immediate use in the COVID-19 pandemic as well as future use as stopgap PPE.

30

31 Methods

32 The design presented is an adapter which can be used with a commercially available snorkel
33 mask in order to serve as a full face respirator in either the case of a PPE shortage or more
34 pertinently for those who are unable to pass fit testing with the available N95 respirators at their
35 respective facilities. Mask components were 3D printed, assembled, and then fit tested by
36 qualitative fit testing (QLFT) at The University of Kansas Health System (TUKHS) in Kansas
37 City, KS as a proof of concept.

38

39

40 Results

41 At TUKHS, the mask was fit tested on 22 individuals who required an N95 mask but were not
42 able to pass qualitative fit testing with the masks available to them at the time. Of the 22 tested,
43 all 22 of them were able to pass QLFT with the snorkel mask, adapter, and viral/bacterial filter
44 combination.

45

46 Conclusion

47 The results of the fit testing at TUKHS is promising for this N95 alternative. More extensive
48 testing can and should be done, including quantitative fit testing. Persistently increasing
49 caseloads and PPE shortages necessitates an urgent dissemination of these preliminary results.

50 The authors do not advocate for this design as a replacement of traditional N95 masks or other
51 PPE but do endorse this design as a stopgap measure, proven to be effective in situations of dire
52 PPE shortage or for individuals who have failed fit testing with conventional PPE.

53

54

55 INTRODUCTION

56 Background

57 In December of 2019 the first cases of a novel coronavirus, named SARS-CoV-2, were
58 reported in China.¹ As the virus spread across the continent, it proved to be both highly
59 contagious and highly virulent.¹ Some infected patients were suffering from acute respiratory
60 distress syndrome (ARDS).¹ By the middle of March 2020, the World Health Organization had
61 designated the COVID-19 outbreak as a pandemic. Reports of not only strained economies but
62 also strained global healthcare systems flooded the news.² Within healthcare settings, the focus
63 shifted to the adequacy of personal protective equipment (PPE).³

64 65 PPE Shortages

66 The shortage of PPE across the country has been widely discussed by government
67 officials and healthcare practitioners as well as the general population.³⁻⁵ Unfortunately, recent
68 reports indicate the supply of PPE “is running low again as the virus resumes its rapid spread
69 and the number of hospitalized patients climbs.”⁶ Although the situation has improved since it
70 was first evaluated earlier in the year, many experts predict that shortages persist.⁷ Additionally,
71 some predict that it may take years in order for stockpiles to fully replenish, an increasingly
72 urgent challenge as cases continue to rise across the United States.⁷ Shortages of PPE have
73 repeatedly been shown to contribute to the spread of the virus, and “the situation is especially
74 dire at hospitals serving communities of color or patients on Medicaid.”⁸

75

76

77 Fit Testing

78 In addition to PPE shortages, various studies have commented on difficulties regarding
79 inadequate mask fitting.^{9,10} Mask fit is an important consideration of mask efficacy and is
80 typically measured by either qualitative fit-tests (QLFT) or quantitative fit-tests (QNFT).⁹ In
81 qualitative fit-tests, mask wearers are tested to see if they can detect bitter or sweet scents
82 aerosolized around the masked wearer, whereas quantitative fit-tests measure ratios of ambient
83 aerosols inside and outside of the mask.⁹ A 2018 Korean study reported QNFT pass rates of the
84 four most common N95 models to be below 50%, with poorer fit test results observed for women
85 compared to men.¹⁰ The inherent challenge of the possibility of a poor mask fit is magnified
86 during pandemic settings due to time pressures and limited availability of options.

87

88 3D Printed Alternatives

89 As the aforementioned issues with PPE were playing out, communities of 3D printing
90 aficionados, colloquially known as “makers,” began to discuss the issue and created homemade
91 masks, face shields, and gowns. Specifically, those with access to 3D printers were encouraged
92 to continually run their machines to produce face-shields and masks that could be used in the
93 health care sector. The lack of adequate access to conventional N95 masks pushed for some to
94 pursue 3D print and locally distribute masks to assist in reducing PPE shortages. The widespread
95 availability of 3D printers and cost-effective nature of the manufacturing process makes it
96 excellent for such purposes.

97 The design presented is an adapter which can be used with a commercially available
98 snorkel mask in order to serve as a full face respirator in either the case of a PPE shortage, or
99 more pertinently for those who are unable to pass fit testing with the available N95 respirators at

100 their respective facilities. This article focuses on the design, manufacture, and validation of the
101 snorkel mask adapter design and its usage in the COVID-19 pandemic as well as future usage as
102 stopgap PPE.

103

104 **METHODS**

105 Adapter Design

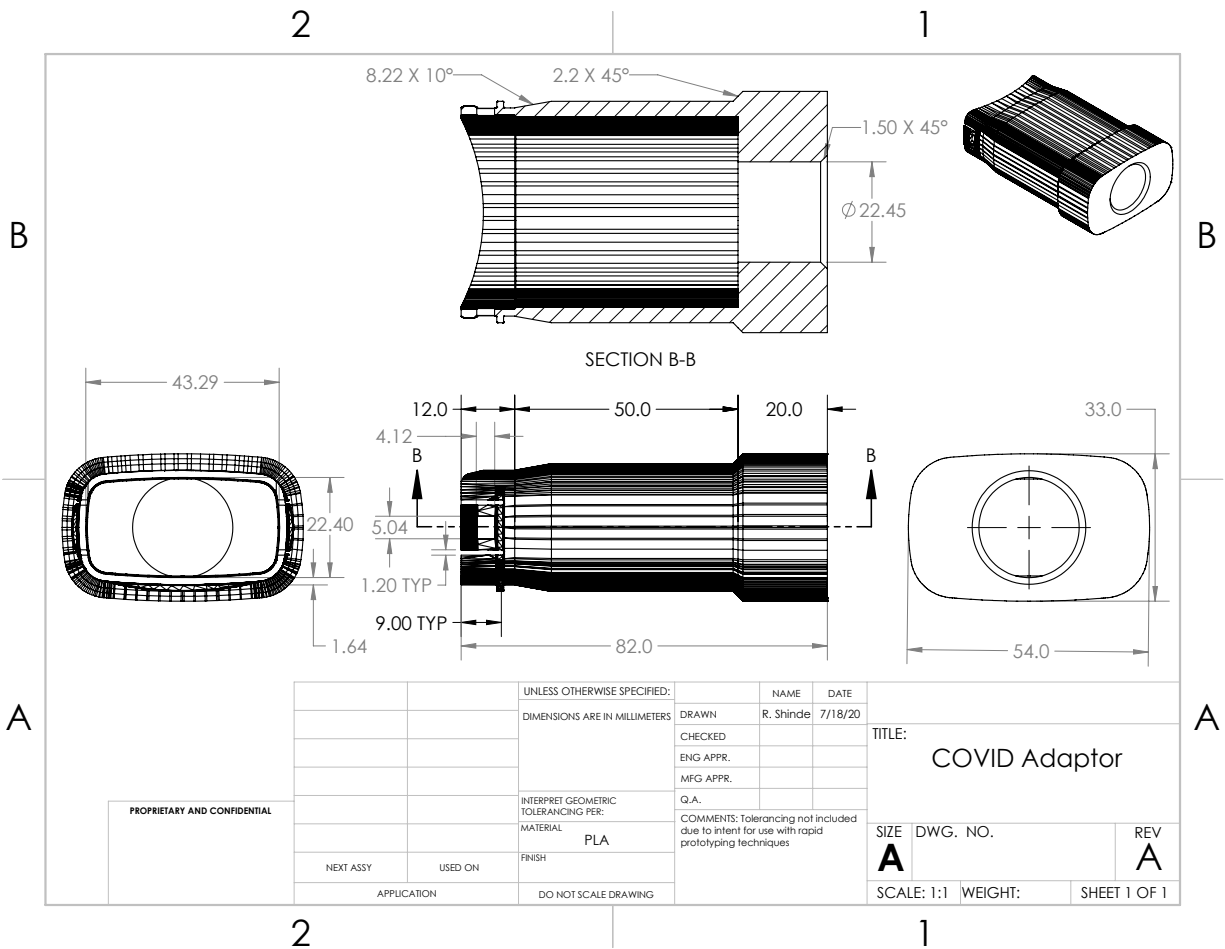
106 The adapter was designed to connect an OceanReef snorkel mask to a Hudson RCI In-
107 Line Bacterial/Viral Filter¹¹ commonly found in both operating rooms and intensive care units
108 for filtration and humidification of air in mechanically ventilated patients. These filters were
109 chosen for their cost-effective nature, high availability during PPE shortages, and low resistance
110 to gas flow while maintaining 99.99% filtration efficiency.¹¹ The assembled design is shown in
111 Figure 1 and the 3D printed adapter is shown in Figure 2.

112 **Figure 1: OceanReef snorkel mask coupled to a Hudson bacterial/viral filter with the 3D**
113 **printed adapter (red)**



114

115 **Figure 2: Engineering Drawing of Snorkel Mask Adapter Design**



116

117

118 **Design and 3D Printing**

119 This design was generated using commercial CAD software and exported to an Standard

120 Tessellation Language (STL) file for compatibility with hobbyist 3D printer workflows. These

121 workflows use a “slicer” software to convert the universal STL file into GCODE that is specific

122 to an individual 3D printer. Two combinations of slicer and 3D printer were tested: the Cura

123 slicer was used to prepare GCODE for a Lulzbot Taz5, and PrusaSlicer was used to prepare

124 GCODE for a Creality CR-10S. Adapters were printed in a variety of filaments including

125 Polylactic acid (PLA), Polyethylene terephthalate glycol (PET-G), and Thermoplastic

126 polyurethane (TPU). Polylactic acid (PLA) was chosen given its melting point, ease of use, and
127 cost effectiveness. Print settings shown in Table 1 were used. However, these may vary based on
128 software and printer. For most printers, the default PLA settings will be sufficient.

129 **Table 1: Print settings used on the Taz5 Printer with eSun PLA+ Filament**

| Select Print Setting | Value |
|------------------------------------|------------|
| Layer Height | 0.25mm |
| Wall Line Count | 4 |
| Top/Bottom Layers | 4 |
| Infill Density | 20% to 50% |
| Printing Temperature (Nozzle) | 205°C |
| Printing Temperature (Build Plate) | 60°C |

130

131 Usage and Fit Testing

132 Before being taken in for formal qualitative fit testing (QLFT) at The University of
133 Kansas Health System (TUKHS), a water seal test was performed. The wearer donned the mask,
134 adapter, and viral filter combination and was submerged into water such that the water level was
135 above the connection of the filter to the adapter, but below the top of the filter. This was done to
136 allow for identification of leaks in the system. If the wearer felt water entering the mask or if air
137 was seen escaping in the adapter fitment the model was identified as not air or water tight. This
138 test was only performed before a version of the adapter was sent for QLFT at TUKHS.

139 At TUKHS, the design was fit tested by the facilities staff using a standard saccharin
140 solution aerosol protocol. At TUKHS, participants were those who were not able to pass fit

141 testing with the standard N95 respirators available at TUKHS. None of the designers of the
142 adapter or authors of this paper were present for fit testing, to ensure an unbiased fit test.

143

144 Study Design

145 IRB approval was not requested nor required for this study because this was essentially a
146 proof of concept and quality improvement initiative. The design went through the proper
147 channels at TUKHS for testing and approval of PPE during the height of the pandemic. Although
148 further analysis and study to prove efficacy is required, the purpose of this study and article is to
149 discuss the design, manufacturing, and validation of the snorkel mask adapter concept.

150

151 **RESULTS**

152 At TUKHS, 3832 people have been fit tested at least once for standard half face
153 respirators. Of these, 211 people are currently listed as powered air purifying respirator (PAPR)
154 only, placing a significant load on access to PAPR devices. The snorkel mask, adapter, and viral
155 filter combination was fit tested on 22 individuals of the 3832 people who required an N95 mask
156 but were not able to pass qualitative fit testing with the masks available to them at the time.
157 Three sizes of Ocean Reef Uno snorkel masks were used: S/M, M/L, L/XL. Of the 22 individuals
158 tested, all 22 of them were able to pass QLFT with the snorkel mask (one of 3 sizes), adapter,
159 and Hudson RCI viral/bacterial filter combination. It was deemed appropriate that five of these
160 22 individuals were given snorkel masks, adapters, and filters to use as necessary.

161

162

163 **DISCUSSION**

164 The results of the fit testing at TUKHS is promising for this N95 alternative. More
165 extensive testing can and should be done, including quantitative fit testing. However, the initial
166 results suggest that this mask could be efficacious at a larger scale. Of those who passed
167 qualitative fit testing (QLFT) (N = 463) with all N95 FFR models, 86.9% (N = 459) also passed
168 quantitative fit testing. This suggest that qualitative fit testing, although less rigorous than
169 quantitative fit testing, does correlate highly with proper mask fitment.⁹

170 Persistently increasing caseloads and PPE shortages necessitates an urgent dissemination
171 of these preliminary results. The authors do not advocate for this design as a replacement of
172 traditional N95 masks or other PPE but do endorse this design as a stopgap measure, proven to
173 be effective in situations of dire PPE shortage or for individuals who have failed fit testing with
174 conventional PPE.

175

176 **CONCLUSION**

177 The results of the fit testing at TUKHS is promising for this N95 alternative. More extensive
178 testing can and should be done, including quantitative fit testing. Persistently increasing
179 caseloads and PPE shortages necessitates an urgent dissemination of these preliminary results.
180 The authors do not advocate for this design as a replacement of traditional N95 masks or other
181 PPE but do endorse this design as a stopgap measure, proven to be effective in situations of dire
182 PPE shortage or for individuals who have failed fit testing with conventional PPE.

183

184

185 **REFERENCES**

- 186 1. Sohrabi C, Alsafi Z, O'Neill N, et al. World Health Organization declares global
187 emergency: A review of the 2019 novel coronavirus (COVID-19). *Int J Surg.*
188 2020;76:71-76.
- 189 2. Mike-Hana Fongang M, Ahmadi N. *The Impact of a Pandemic (COVID-19) on the Stock*
190 *Markets : A Study on the Stock Markets of China, US and UK* [Student thesis]2020.
- 191 3. Jacobs A, Richtel M, Baker M. ‘At War With No Ammo’: Doctors Say Shortage of
192 Protective Gear Is Dire. *The New York Times.* 2020/03/19/T15:58:44-04:00, 2020;Health.
- 193 4. Jessop ZM, Dobbs TD, Ali SR, et al. Personal Protective Equipment (PPE) for Surgeons
194 during COVID-19 Pandemic: A Systematic Review of Availability, Usage, and
195 Rationing. *Br J Surg.* 2020.
- 196 5. Mandrola J. [CoViD-19 and PPE: some of us will die because of the shortage.]. *Recenti*
197 *Prog Med.* 2020;111(4):183.
- 198 6. Fassett GM, Camille. Supply of PPE for medical workers begins to run low again as
199 COVID-19 spikes in US. *chicagotribunecom.* 2020.
- 200 7. Pulver D, Wedell K, Mansfield E. Despite warnings, the US wasn't prepared with masks
201 for coronavirus. Now it's too late. *USA TODAY.* 2020.
- 202 8. Dunn L, Fitzpatrick S. Few N95 masks, reused gowns: Dire PPE shortages reveal
203 COVID-19's racial divide. *NBC News.* 2020.
- 204 9. Hon CY, Danyluk Q, Bryce E, et al. Comparison of qualitative and quantitative fit-testing
205 results for three commonly used respirators in the healthcare sector. *J Occup Environ*
206 *Hyg.* 2017;14(3):175-179.

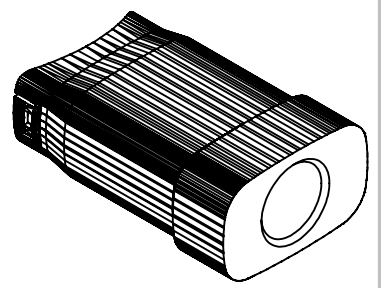
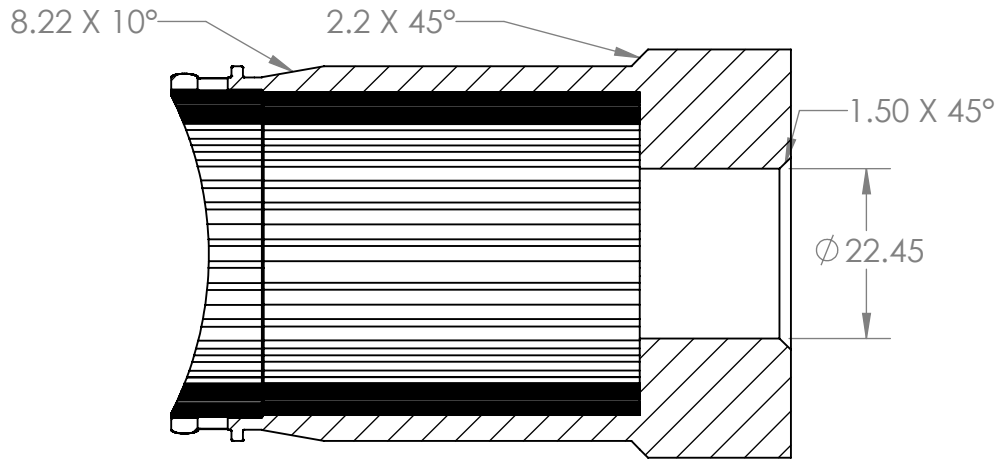
- 207 10. Huh YJ, Jeong HM, Lim J, et al. Fit Characteristics of N95 Filtering Facepiece
208 Respirators and the Accuracy of the User Seal Check among Koreans. *Infect Control*
209 *Hosp Epidemiol.* 2018;39(1):104-107.
- 210 11. Teleflex. Hudson RCI In-Line Bacterial Viral Filter For CPAP/BIPAP Machines.
211 [https://www.healthproductsforyou.com/p-hudson-rci-in-line-bacterial-viral-filter-for-](https://www.healthproductsforyou.com/p-hudson-rci-in-line-bacterial-viral-filter-for-cpapbipap-machines.html)
212 [cpapbipap-machines.html](https://www.healthproductsforyou.com/p-hudson-rci-in-line-bacterial-viral-filter-for-cpapbipap-machines.html). Published 2020. Accessed 7-23, 2020.
- 213

2

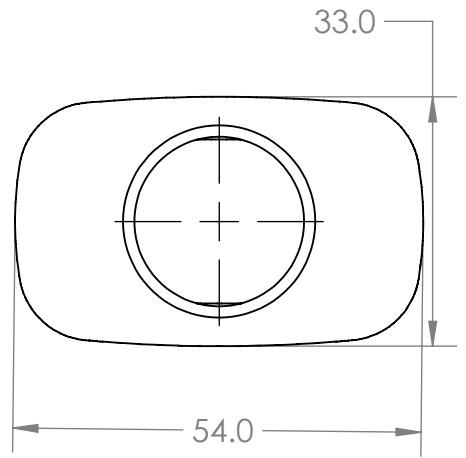
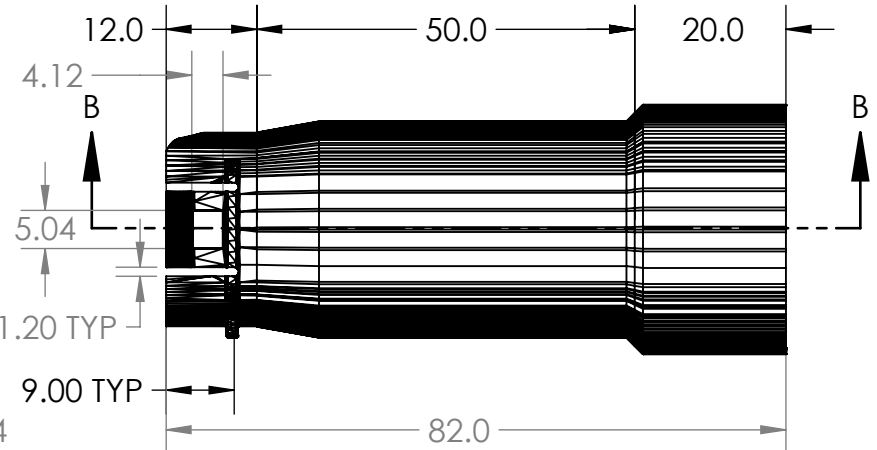
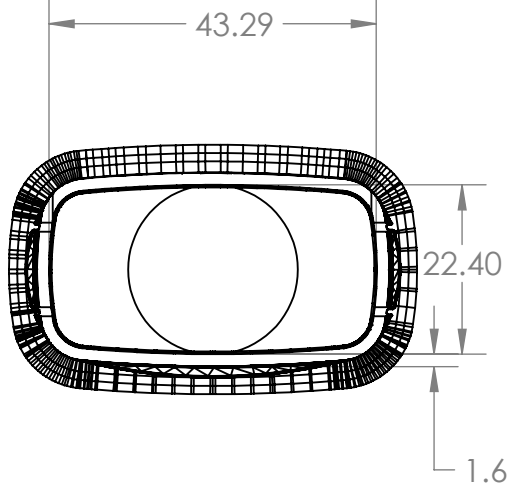
1

B

B



SECTION B-B



A

A

PROPRIETARY AND CONFIDENTIAL

| | | | | |
|-------------|---------|--------------------------------------|--|-----------|
| | | UNLESS OTHERWISE SPECIFIED: | NAME | DATE |
| | | DIMENSIONS ARE IN MILLIMETERS | DRAWN | R. Shinde |
| | | | CHECKED | |
| | | | ENG APPR. | |
| | | | MFG APPR. | |
| | | INTERPRET GEOMETRIC TOLERANCING PER: | Q.A. | |
| | | MATERIAL | COMMENTS: Tolerancing not included due to intent for use with rapid prototyping techniques | |
| | | FINISH | | |
| NEXT ASSY | USED ON | | | |
| APPLICATION | | DO NOT SCALE DRAWING | | |

TITLE: COVID Adaptor

| | | |
|------------|----------|--------------|
| SIZE | DWG. NO. | REV |
| A | | A |
| SCALE: 1:1 | WEIGHT: | SHEET 1 OF 1 |

2

1