

1 Reproducible, data-driven characterization of sleep based
2 on brain dynamics and transitions from whole-night fMRI

3

4 Fan Nils Yang*, Dante Picchioni, Jacco A. de Zwart, Yicun Wang, Peter van Gelderen, Jeff H.
5 Duyn*

6

7 Advanced MRI Section, Laboratory of Functional and Molecular Imaging, National Institute of
8 Neurological Disorders and Stroke, National Institutes of Health, Bethesda, MD, USA

9

10

11 Correspondence:

12 *Fan Nils Yang, Email: nilsyang106@gmail.com

13

14 *Jeff H. Duyn, Email: jeff.duyn@nih.gov

15

1 Abstract

2 Understanding the function of sleep requires studying the dynamics of brain activity across
3 whole-night sleep and their transitions. However, current gold standard polysomnography (PSG)
4 has limited spatial resolution to track brain activity. Additionally, previous fMRI studies were too
5 short to capture full sleep stages and their cycling. To study whole-brain dynamics and
6 transitions across whole-night sleep, we used an unsupervised learning approach, the Hidden
7 Markov model (HMM), on two-night, 16-hour fMRI recordings of 12 non-sleep-deprived
8 participants who reached all PSG-based sleep stages. This method identified 21 recurring brain
9 states and their transition probabilities, beyond PSG-defined sleep stages. The HMM trained on
10 one night accurately predicted the other, demonstrating unprecedented reproducibility. We also
11 found functionally relevant subdivisions within rapid eye movement (REM) and within non-REM
12 2 stages. This study provides new insights into brain dynamics and transitions during sleep,
13 aiding our understanding of sleep disorders that impact sleep transitions.

1 Introduction

2 Given the significant number of people experiencing sleep issues in modern society, there is a
3 growing need for a better understanding of human sleep and its function (Lancet, 2022). Sleep
4 is characterized by relative stationary states, each believed to serve specific functions. To
5 characterize these states, human sleep research has historically classified sleep into a set of
6 stages using polysomnography (PSG) (Berry et al., 2020; Rechtschaffen and Kales, 1968),
7 which combines electroencephalography (EEG) measures of brain activity with several
8 physiological measures. These sleep stages include the progressively deeper sleep stages of
9 N1, N2, and N3 non-rapid eye movement (NREM), as well as REM. Stages are characterized
10 by different patterns of cortical excitability, as a result of varying levels of modulatory
11 neurotransmitters (Jones, 2020). Across a full night of sleep, these stages cyclically alternate,
12 with REM sleep typically occurring 90 minutes after falling asleep and becoming longer as the
13 night progresses. This cycling is thought to be related to homeostasis and memory
14 consolidation (Diekelmann and Born, 2010; Strauss et al., 2022). Neuroimaging studies using
15 techniques such as Positron Emission Tomography (PET) and functional MRI (fMRI) have
16 identified unique activity patterns for each PSG stage, contributing to our understanding of
17 sleep's functional role (Braun et al., 1997; Damaraju et al., 2020; Picchioni et al., 2013; Rué-
18 Queralt et al., 2021; Tagliazucchi and Laufs, 2014; Tagliazucchi and van Someren, 2017; Zhou
19 et al., 2019).

20
21 While these PSG-guided neuroimaging studies provided new information about sleep function,
22 our understanding of brain dynamics is limited by the low temporal resolution of PSG-based
23 sleep scoring rules (i.e., 30-second epochs), low spatial resolution (i.e., limited EEG channels
24 on the scalp), and the subjective visual inspection rules (Decat et al., 2022; Himanen and
25 Hasan, 2000; Lambert and Peter-Derex, 2023). Alternative to PSG-based sleep staging,
26 applying an unsupervised learning method, the Hidden Markov Model (HMM) (Stevner et al.,
27 2019; Vidaurre et al., 2017), to sleep fMRI data can objectively model the time series of sleep
28 and infer sleep brain states that recur at different points during sleep. A recent study
29 demonstrated promising results in capturing NREM sleep transitions by applying HMM to
30 relatively short bouts of sleep (<1 hour) fMRI data (Stevner et al., 2019). However, because the
31 REM stage typically occurs 90 minutes after falling asleep and lasts progressively longer over
32 time, capturing brain dynamics associated with sleep cycling requires whole-night data.

33
34 In addition, given that studies on sleep stage transitions have shown promising results in
35 diagnoses of various sleep disorders, including narcolepsy (Christensen et al., 2015), chronic
36 fatigue syndrome (Kishi et al., 2011), and insomnia (Wei et al., 2017), it is of great interest to
37 establish an objective and reliable measurement of brain states transitions within and between
38 PSG sleep stages. To achieve this goal, we applied HMM to a unique and extensive dataset of
39 EEG-fMRI concurrent recordings acquired over 8 hours of sleep each night for two consecutive
40 nights (Moehلمان et al., 2019). This analysis revealed 21 unique brain states, surpassing the
41 number of PSG-defined sleep stages. For potential application in clinical settings, we tested
42 whether our HMM model trained using night 2 data can predict night 1 data. As it turned out, the
43 identified brain states were highly consistent between night 1 and night 2. Furthermore,

1 analyzing the transition probabilities between HMM states revealed a significant subdivision
2 within N2 and within REM sleep stages. This data-driven, PSG-blind analysis of fMRI data
3 provides reproducible brain states and their transition probabilities, potentially serving as a
4 biomarker of sleep transitions in both normal and clinical settings.

8 Results

9 HMM brain states.

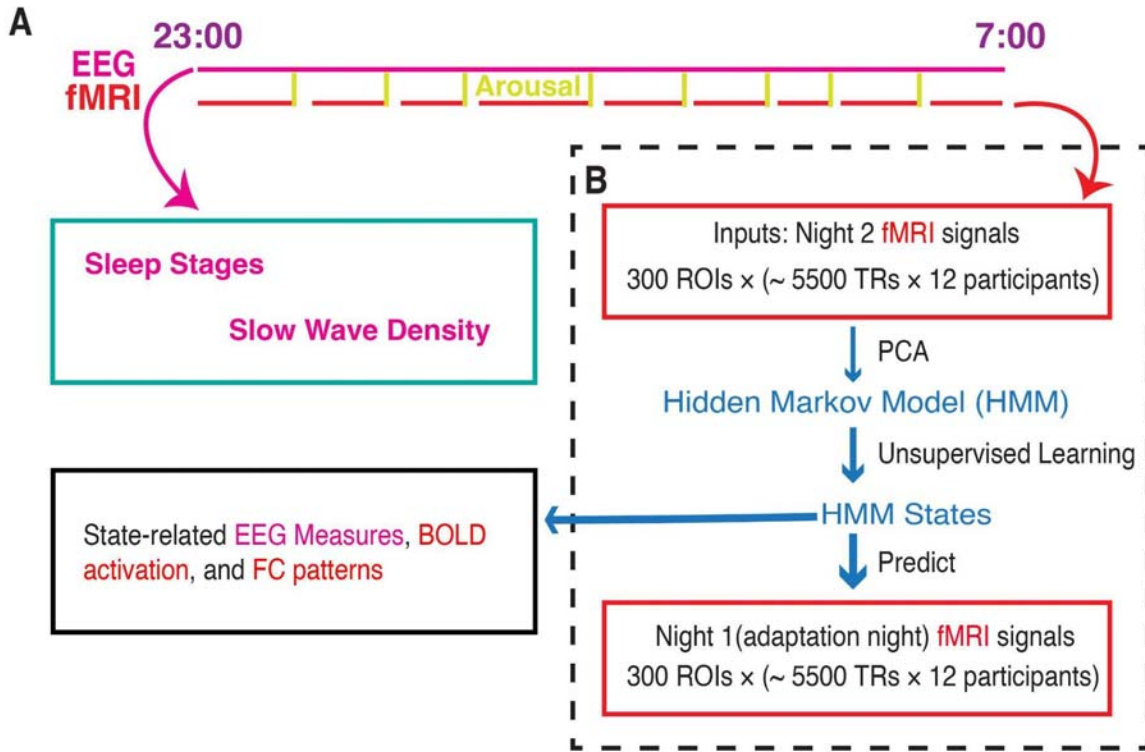
10 To study brain activity representative of the entire Wake-NREM-REM-Wake sleep cycle, we
11 analyzed data from concurrent whole-brain EEG-fMRI measurements on healthy, non-sleep-
12 deprived participants (n=12, age 24 ± 3.5 , 8 female) over two successive, entire nights of sleep
13 (Moehlman et al., 2019). This data was acquired for an independent project that included eight
14 randomly timed acoustical arousals to gauge sleep depth (Moehlman et al., 2019). PSG-based
15 sleep staging was conducted by a sleep technologist, utilizing data from EEG, EMG, ECG, and
16 EOG, following the criteria outlined by the AASM (Berry et al., 2020).

17
18 Following data preprocessing (see Methods section for details), the fMRI time courses from
19 voxels were spatially averaged within each of the 300 regions of interest (ROIs). These ROIs
20 encompassed cortical, subcortical, and cerebellar areas from the Seitzman 300-ROI atlas
21 (Seitzman et al., 2019). To ensure consistency and comparability, the ROI time courses were
22 demeaned and variance-normalized for each participant and then concatenated along the
23 temporal dimension. Of note, all 12 participants exhibited at least one complete sleep cycle,
24 encompassing all four sleep stages (N1-3 and REM), during both Night 1 and Night 2
25 (Moehlman et al., 2019). This uniquely comprehensive dataset provided a robust foundation for
26 our analyses.

27
28 The HMM estimated from the Night 2 data encompassed a collection of whole-brain states.
29 Each of these states was characterized as a multivariate Gaussian distribution, incorporating
30 two key components: (i) a mean activation distribution, signifying the average activity levels
31 within each ROI when a state was active, and (ii) a functional connectivity (FC) matrix,
32 representing the temporal co-variations among ROIs while in that state.

33
34 Furthermore, the HMM featured a transition probability matrix that detailed the likelihood of
35 transitioning between every pair of states. Each state was accompanied by a state timecourse,
36 delineating the specific time points (defined by the fMRI temporal resolution of 3 seconds) when
37 the state was active. Notably, the HMM was constructed with 21 distinct states and was devoid
38 of any prior knowledge regarding PSG staging during its estimation. For a comprehensive visual
39 representation of the analytical process, please refer to **Figure 1** (see the Methods section for a
40 detailed explanation). Also, there is no HMM state that was participant-specific. That is, all 21
41 HMM states can be found in each participant's fMRI timecourse.

1



2

3 **Figure 1.** Whole-brain activity dynamic identified from fMRI sleep recording using a Hidden
4 Markov Model. **A.** Participants slept inside a scanner from ~23:00 to ~07:00 for two consecutive
5 nights, with concurrent EEG-fMRI recording. During each night, the fMRI experiments were
6 intermittently disrupted by either acoustical arousals (8 random arousals) or spontaneous
7 awakenings. Sleep stages and slow wave density were derived from EEG signals alone. **B.**
8 HMM was trained on the principal components of fMRI signals of Night 2. Then the identified
9 HMM states were generalized to Night 1 fMRI signals. Finally, we studied the state-related
10 variations in fMRI activation, FC patterns, and EEG measures. Notes: EEG,
11 electroencephalographic; TR: repetition time; FC, functional connectivity; ROI, region of interest;
12 PCA, principal component analysis.

13

14 **HMM states show PSG stage specificity**

15 The 21 brain states (see **Figure 2B**), identified solely from fMRI, exhibited a mixture of six PSG-
16 based sleep stages: N1, N2, N3, REM, Wake, and an "Undefined" stage for epochs that could
17 not be confidently assigned to one of the four following sleep stages: N1-3 and REM.

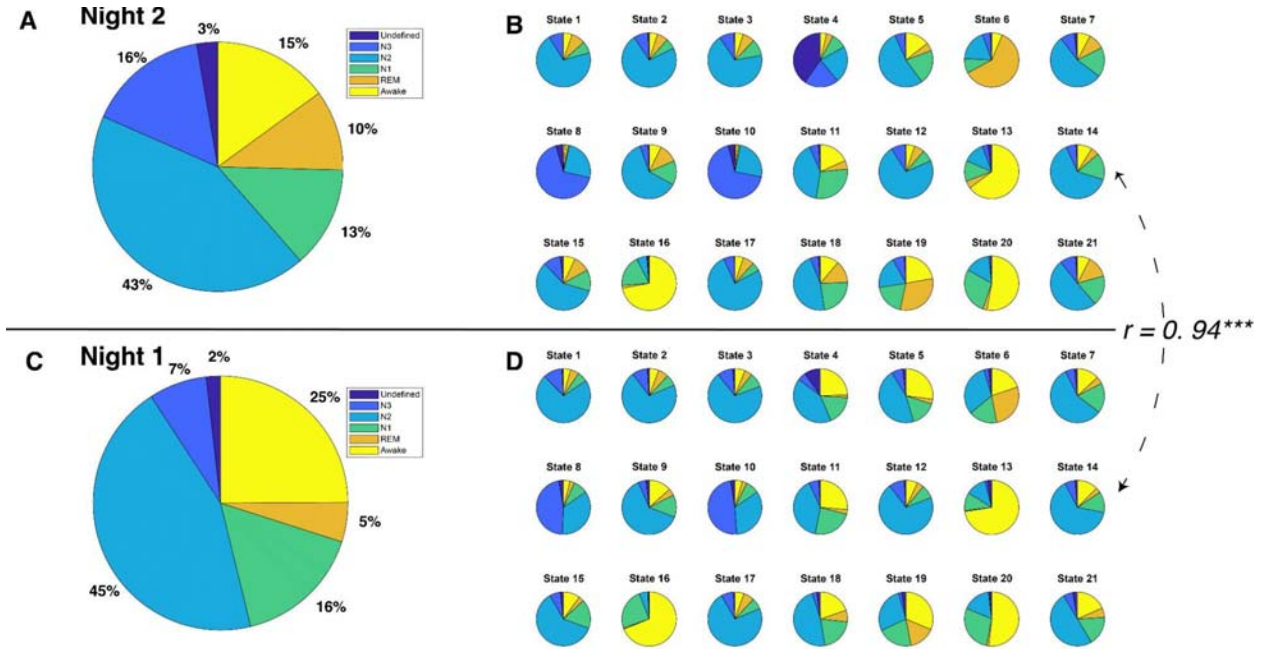
18

19 To investigate the relationship between HMM states and PSG-based sleep stages, we adopted
20 a "winner-takes-all" approach that assigned HMM states to the sleep stage where they most
21 frequently occurred. Thirteen of the 21 brain states were most frequently associated with N2
22 sleep stages. HMM states 8 and 10 predominantly occurred during N3 sleep, while HMM states
23 6 and 19 were prevalent during REM sleep. HMM state 4 corresponded to the undefined sleep
24 stage, and HMM states 13, 16, and 20 were primarily observed during Wake. Intriguingly, none

1 of the HMM states were predominantly linked to N1 sleep. However, HMM state 11 was active
 2 for a comparable duration during both N1 and N2 sleep stages. See **Figure 2B**.

3
 4 The temporal characterization of these brain states enabled us to investigate the subtle details
 5 of brain dynamics within the traditional PSG-based sleep stages. The average duration, referred
 6 to as "Lifetime," of the HMM states varied from 8.7 to 36 seconds. Specifically, the mean
 7 Lifetime in states associated with N2 stages tended to be shorter compared to those linked to
 8 N3, REM, and Wake (with exceptions of state 13), as illustrated in **Supplementary Figure 1**.

9



10
 11 **Figure 2.** PSG-based sleep stages and HMM states for each night. **A.** Distribution of sleep
 12 stages for all 12 participants during Night 2. **B.** Distribution of sleep stages for 21 HMM states
 13 during Night 2. **C.** Distribution of sleep stages for all 12 participants during Night 1. **D.**
 14 Distribution of sleep stages for 21 HMM states during Night 1. The correlation coefficient
 15 between sleep stage distributions of HMM states during Night 2 and those during Night 1 is
 16 0.94, $p < 0.0001$.

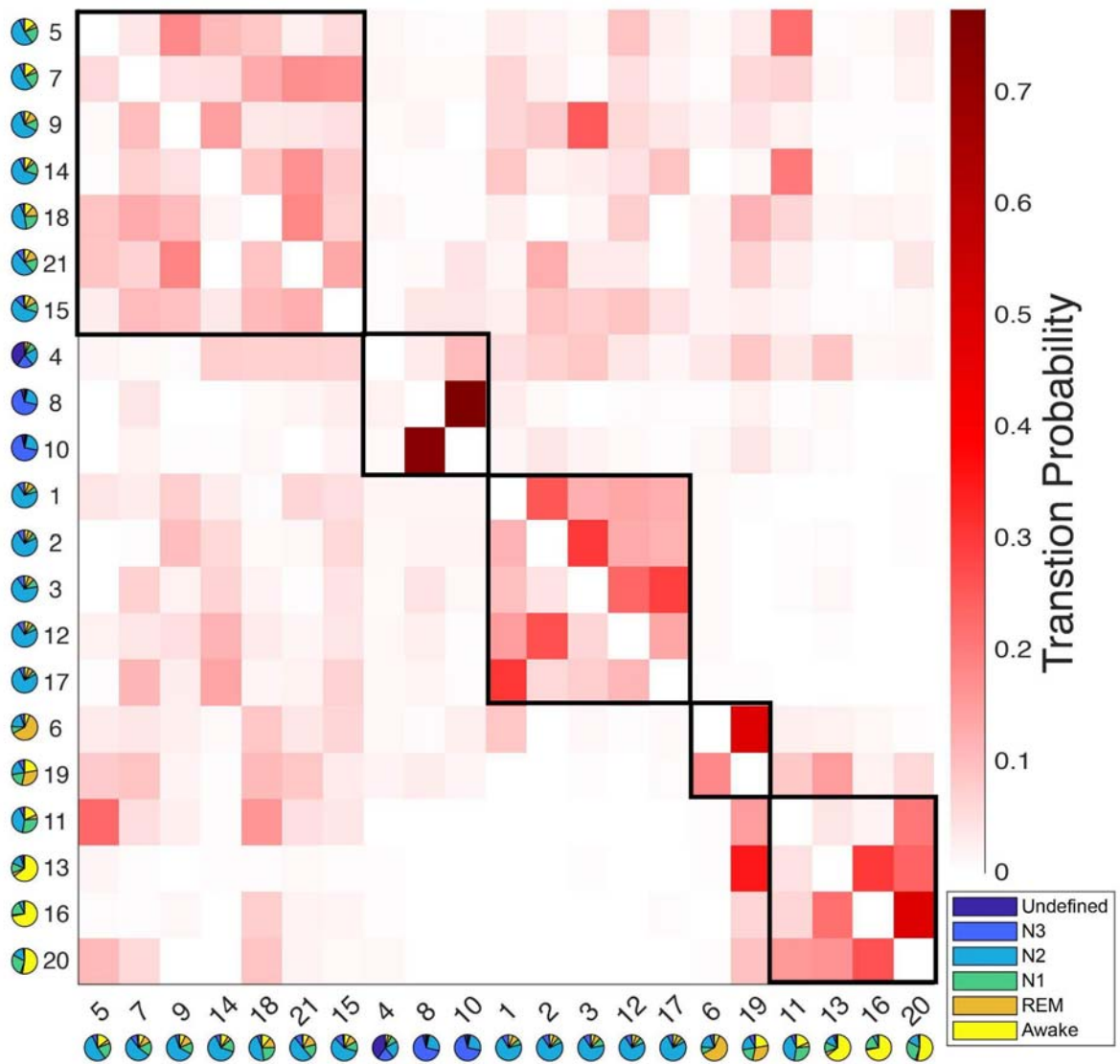
17
 18 **Sleep states as modules of HMM state transitions.**

19 The use of a data-driven approach empowered us to explore the temporal dynamics of HMM
 20 states, and enabled us to investigate whether the fMRI-driven HMM states reveal novel
 21 dimensions of the Wake-NREM-REM-Wake sleep cycle that are hidden from traditional PSG
 22 analyses. We examined the transition probabilities among HMM states, identifying modules of
 23 HMM states that exhibited more frequent transitions between each other than to other states
 24 (Stevner et al., 2019; Vidaurre et al., 2017).

25

26 The transition probabilities of HMM brain states were organized into a 21×21 transition matrix.
 27 To explore the potential clustering of states with prevalent mutual transitions, a modularity
 28 analysis was performed on this matrix based solely on transition probabilities (see Methods

1 section for details). As illustrated in **Figure 3**, this analysis identified five distinct transition
 2 modules, encompassing N3-, REM-, Wake-, and two different N2- modules. Importantly, this
 3 modularity analysis was conducted independently of PSG-based sleep stages. Interestingly, it
 4 revealed a natural clustering of states associated with the same sleep stages. For instance, two
 5 HMM states, 6 and 19, both linked to REM sleep, were grouped within the same module.
 6



7
 8 **Figure 3.** Results of the modular analysis based solely on transition probability between HMM
 9 states. Each row represents the transition probability of the current HMM state (y-axis) to other
 10 states (x-axis). Twenty-one HMM states were categorized into five modules (black boxes): from
 11 left to right, light-N2 module (states 5, 7, 9, 14, 15, 18, 21), N3 module (states 4, 8, 10), deep-
 12 N2 module (states 1, 2, 3, 12, 17), REM module (states 6 and 19), and Wake module (states

1 11, 13, 16, 20). The pie chart under each state represents the sleep stage distribution for the
2 state.

3
4 Twelve N2-related HMM states were divided into two separate modules. The first module is
5 characterized as the light-N2 module, with higher transition probabilities to REM and Wake
6 modules compared to the other module. The second module exhibited low transition
7 probabilities to both the REM and Wake modules and is referred to as the deep-N2 module.

8
9 A similar duality was evident within the REM module. HMM state 19 displayed a notably higher
10 transition probability to states in the Wake module compared to HMM state 6.

11
12 Within the Wake module, four HMM states were observed. State 11 was found to be linked to
13 both N1 and N2 sleep stages, while the other three states (13, 16, and 20) were associated with
14 the Wake stages. Further investigation revealed that state 13 typically occurred later in the night
15 and later within an MRI run (see **Supplementary Figure 2 E&F**), suggesting it represents post-
16 sleep wakefulness, whereas states 16 and 20 were pre-sleep wakefulness. State 13 also
17 showed higher PPG variation, respiratory variation, and heart rates than states 16 and 20 (see
18 **Supplementary Figure 2 B-D**). This observation was confirmed by the transition probability
19 matrix, that only HMM state 13 has a lower chance of transition into N2- or N3 -related states,
20 especially for the states within the light-N2 module, compared to HMM states 16 and 20.

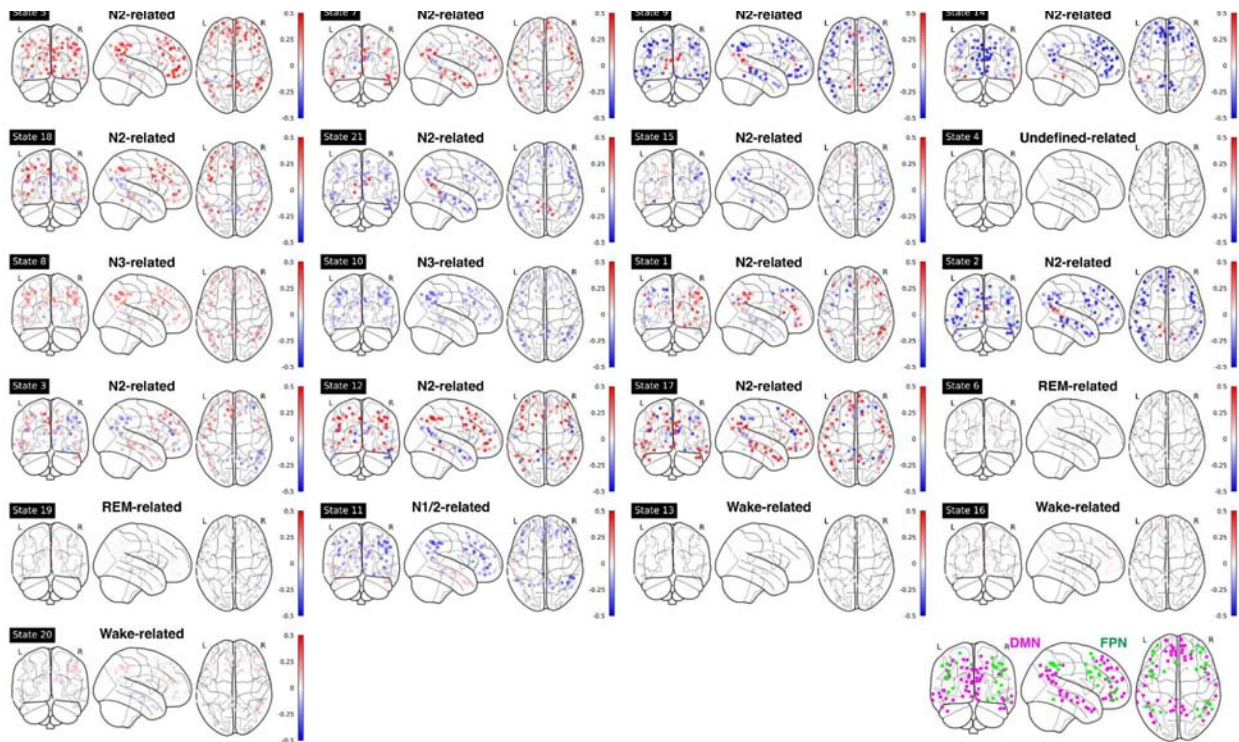
21 **HMM states generalize to Night 1 fMRI data.**

22
23 Next, to test the robustness of our HMM approach, we employed a semi-supervised learning
24 approach (<https://github.com/OHBA-analysis/HMM-MAR/wiki/Theory#semi>) to predict Night 1
25 data based on the model trained on Night 2 data. Specifically, we maintained state assignments
26 from Night 2 and applied the model to Night 1. The resulting model indicated that despite having
27 fewer REM and N3 stages during Night 1 (**See Figure 2A&C**), there was a significant
28 correlation between the sleep stage proportions of the HMM states for Night 1 and those for
29 Night 2 ($r = 0.94$, $p < 0.0001$, see **Figure 2 B&D**). Moreover, the physiological variables
30 displayed similar patterns between Night 1 and Night 2 (see **Supplementary Figures 2&3**).

31 **fMRI activation and FC patterns of HMM states.**

32
33 To investigate brain activity patterns specific to individual HMM state, we calculated the spatial
34 fMRI activation map and FC pattern of each HMM states relative to the averages over all HMM
35 states. **Supplementary Figure 4** showcases the mean fMRI activation for each state, while the
36 associated FC patterns are depicted in **Supplementary Figure 5**.

37
38 For mean fMRI activation, Wake-related HMM state 20 demonstrated the classic opposite
39 activation pattern between the default-mode network (DMN) and its anti-correlated networks
40 (ACNs), see **Figure 4** and **Supplementary Figure 4**. In contrast, during sleep-related HMM
41 states, e.g., states 8 and 10, DMN and FPN showed the same activation direction.



1
2 **Figure 4:** Mean fMRI activation in ROIs within DMN and FPN for each HMM state. Bottom right
3 panel: illustration of DMN (purple) and FPN (green) nodes. Note: DMN: Default Mode Network;
4 FPN: Frontoparietal Network.

5
6 For FC patterns, similar anti-correlated patterns were found (see **Supplementary Figure 5**). In
7 wake-related HMM states 16 and 20, the FCs between DMN and Salience Network (SAL)/
8 Control Network (CON) were negative, while during N3-related HMM states 8 and 10, these
9 FCs were positive.

10
11 As expected, the FC patterns between the Visual Network (VIS) and other sensory networks
12 (Auditory Network, AUD, and lateral/dorsal Somatomotor Network, ISMN/dSMN) were positive
13 during wake-related HMM states but were negative during sleep-related HMM states. One
14 notable exception was HMM state 6 (REM-related), in which VIS had a positive correlation with
15 ISMN and AUD, mirroring those in wake-related states. During REM-related HMM states 6 and
16 19, the Basal Ganglia (BG) and Thalamus (THAL) had a strong positive correlation with ISMN
17 and AUD.

18
19 When we correlated the FC patterns of each state to those of another state, the FC patterns of
20 states that belong to the same module or are related to the same PSG-based sleep stages were
21 highly correlated (similar to the modular results in **Figure 3**), see **Supplementary Figure 6**.

22

1 Discussion

2 By applying an unsupervised learning method to Night 2 of two-night fMRI sleep recordings, we
3 deduced 21 HMM states and their transition probabilities, independently of PSG-defined sleep
4 stages. The identified HMM states showed excellent reproducibility to Night 1 data in a semi-
5 supervised manner, a feat not previously demonstrated. Moreover, through modular analysis
6 focused solely on transition probabilities, a duality within REM-related and N2-related HMM
7 states was found. These findings offer unique new information about brain sleep states and their
8 transitions that extend beyond previous PSG-based research, as well as fMRI research without
9 whole-night recordings.

10

11 Our work addressed well-known shortcomings of PSG-based sleep staging (Abey Suriya and
12 Robinson, 2016; Decat et al., 2022) by integrating insights from whole-brain fMRI recordings.
13 First and foremost, while traditional PSG-based sleep staging is based on 30-second epochs,
14 HMM analysis allows for a state-specific duration as short as the fMRI temporal resolution (here
15 3 seconds). On average, the duration of HMM states is 12 seconds (**see Supplementary**
16 **Figure 1**), suggesting a more detailed characterization of brain states compared to PSG-based
17 sleep stage analysis. Secondly, in terms of spatial resolution, the functional atlas used in our
18 study encompassed 300 ROIs, offering a more detailed view of activation patterns across the
19 entire brain, including subcortical and cerebellar regions that are ignored in PSG-based sleep
20 staging. Third, our approach is mostly automated and objective, eliminating concerns related to
21 inter-rater reliability issues and human error (Lambert and Peter-Derex, 2023; Lee et al., 2022;
22 Rosenberg and Van, 2013). Lastly, identifying transitions between sleep stages can pose
23 challenges when relying solely on PSG data. In contrast, the HMM is explicitly designed to
24 model these transitions between states, providing a better understanding of the dynamic shifts
25 that occur throughout the sleep cycle, especially when the sleep stages transition is not linear
26 from Wake to NREM to REM in the second half of night.

27

28 Previous research suggests that the analysis of sleep data at a finer temporal resolution than
29 PSG-based sleep staging may be valuable. For example, distinct and recurring states of waking
30 brain activity may be as brief as 100 ms during wake (Baker et al., 2014; Koenig et al., 2005). In
31 mice, rapid (seconds-scale) fluctuations in brain-wide neuronal spiking activity has been
32 reported during states of low alertness, attributed to fluctuation in adrenergic and cholinergic
33 neuromodulation from basal forebrain and locus coeruleus (Aston-Jones and Bloom, 1981;
34 Collins et al., 2023; Kjaerby et al., 2022; Osorio-Forero et al., 2023). Capturing second-scale
35 changes of brain states with the analysis approach employed in the current study may therefore
36 allow a more comprehensive investigation of the functional roles of sleep and shed light on the
37 mechanisms by which these roles are accomplished.

38

39 The modular analysis, which solely relied on transition probabilities between states, uncovered
40 a significant discovery. This analysis clustered HMM states into modules closely associated with
41 PSG-defined sleep stages. This suggests that transition probabilities contain essential
42 information about sleep states and PSG-based sleep stages. For instance, a module
43 predominantly linked to the N3 stage consisted of two N3-related states and one undefined

1 state. Importantly, all three states also exhibited the highest slow-wave density among all states
2 (see **Supplementary Figure 2A**).

3
4 Within the Wake module, there were four HMM states, each representing pre-sleep wake
5 (states 16 and 20), post-sleep wake (state 13), and N1-2 (state 11). The absence of a dedicated
6 module/state representing the N1 stage is unsurprising, considering that N1 does not distinctly
7 manifest as a well-defined sleep stage (Carskadon and Dement, 2011) and it has the lowest
8 inter-rater reliability (0.24 vs 0.76 overall) among all the PSG-defined sleep stages (Lee et al.,
9 2022).

10
11 Two modules were associated with the N2 stage. One of these termed the "Deep-N2 module,"
12 exhibited a low likelihood of transitioning to REM and Wake while showing a slightly higher
13 probability of transitioning to N3-related states when compared to the other module, referred to
14 as the "Light-N2 module". This finding aligns with previous studies (Brandenberger et al., 2005;
15 Decat et al., 2022), which separated the N2 stage into a quiet type (before the transition into N3
16 stages, which resembles the Deep-N2 module in the current study) and an active type
17 (preceding the transition to REM, related to the Light-N2 module).

18
19 The two REM-related states (6 and 19) within the REM module were notably different in several
20 aspects. First, state 19 displayed a higher propensity for transitioning to the Wake module in
21 contrast to state 6. Second, state 6 tended to occur towards the end of sleep and also late
22 within the fMRI run (see **Supplementary Figure 2 E&F**). Third, the FC patterns between
23 sensory networks (Vis, ISMN, AUD) and other cortical networks, i.e., DMN and MTL, were
24 different in those two states. For example, in state 19, the MTL was positively connected to
25 ISMN/AUD, while exhibiting negative connections with those sensory networks in state 6 (see
26 **Supplementary Figure 5**). These differences suggest an alignment of the HMM REM states
27 along the previously defined microstates of REM, i.e., "phasic" and "tonic" episodes (Simor et
28 al., 2020). Tonic REM is thought to be an intermediate state between wakefulness and phasic
29 REM and is associated with a higher environmental awareness. Phasic REM occurs more often
30 at the end of the night and is associated with a higher level of brain activity (Simor et al., 2020).
31 Taken together, HMM state 19 might represent tonic REM given the high transition probability to
32 Wake-related HMM states, while HMM state 6 might be related to phasic REM with higher FC
33 and occurring later in the night.

34
35 In terms of both BOLD activation and FC patterns, a notable divergence between N3-related
36 states and Wake-related states is observed in the interaction between DMN and its ACNs
37 (SAL/CON/FPN, etc.). It is plausible that the degree of correlation or anticorrelation between
38 DMN and its ACNs is a pivotal factor influencing the transitions from wakefulness to light sleep
39 and, subsequently, to deep sleep. The SAL is considered crucial for cognitive control, as it
40 handles the perception and response to homeostatic demands (Menon, 2011; Peters et al.,
41 2016; Seeley, 2019). It further acts as a mediator for dynamic interactions among other
42 prominent large-scale brain networks engaged in externally focused attention (FPN) and
43 internally directed self-referential cognitive processes (DMN). It is plausible that during sleep,
44 the mediating function of the SAL is temporarily suspended to allow for its restoration. Recent

1 findings have indicated that disruptions in SAL connections were observed following one night
2 of sleep deprivation (Fang et al., 2015) or in individuals with insomnia disorder (Cheng et al.,
3 2022; Li et al., 2022; Wei et al., 2020).

4
5 There are a few limitations worth mentioning. Firstly, we made an arbitrary selection of 13
6 principal components for PCA, accounting for 40.7% of the total variance. While this percentage
7 of explained variance may seem low, it was a necessary step to stabilize the fitting of the
8 Hidden Markov Model (HMM) in the current study. Notably, the trained HMM demonstrated
9 generalization to Night 1 data, validating the chosen principal components as they encompass
10 sufficient information about the fMRI signals. Secondly, while our study involved a relatively
11 small number of participants (12), it included a large amount of fMRI data (~16 hours scan) per
12 participant. While the HMM trained on data from 12 participants was robust, future research
13 may benefit from utilizing a larger number of participants to test the out-of-sample generalization
14 of the current results.

15
16 To summarize, we demonstrated how a data-driven analysis of an extensive sleep fMRI dataset
17 can reproducibly characterize the full pattern of arousal state changes that recur during a whole
18 night's sleep. The findings underscore the advantages of the whole-night fMRI data, over the
19 traditional PSG sleep staging and previous fMRI sleep studies, in achieving a fine-grained
20 characterization of brain sleep states and their transitions. The successful generalization of our
21 approach trained on Night 2 to Night 1 data shows its robustness, reliability, and objectivity
22 across multiple nights. Our exploration of transitions between HMM states unveiled modules
23 closely linked to distinct sleep stages, revealing a duality within N2-related modules that further
24 dissects N2 stages into 'light' and 'deep' N2 modules. We identified a duality with REM-related
25 HMM states, which resembles the 'phasic' versus 'tonic' REM. Additionally, we separated pre-
26 sleep from post-sleep Wake states. Analysis of brain activation and FC patterns of HMM states
27 indicated that the connections between DMN and ACNs, especially SAL, may play a critical role
28 in the transition from wake to light sleep and subsequently to deep sleep. Collectively, this
29 enriched comprehension of brain dynamics during nocturnal sleep holds the potential for
30 identifying promising biomarkers associated with sleep disorders that significantly impact sleep-
31 stage transitions.

32

33

1 Methods

2 **Data acquisition and processing.** All the data used in this study followed approved human
3 subjects research protocols approved by the National Institutes of Health Combined
4 Neuroscience Institutional Review Board (USA, Protocol Number 16-N-0031), and informed
5 consent was obtained from the participants. Data acquisition was conducted as part of a
6 previously described sleep experiment (Moehلمان et al., 2019), encompassing two consecutive
7 nights of concurrent fMRI-EEG data collection while participants slept inside a 3 T Siemens
8 Prisma MRI scanner. To ensure a consistent sleep schedule, participants were instructed to
9 adhere to regular sleep patterns for two weeks before the experiments, and compliance was
10 verified with wearable devices. No sleep deprivation protocols were implemented during the
11 course of the study.

12
13 The fMRI data encompassed whole-brain scans consisting of 50 axial slices, captured at a
14 spatial resolution of 2.5 mm ($2.5 \times 2.5 \text{ mm}^2$ in-plane), with a 2.0 mm slice thickness and a 0.5
15 mm slice gap. The data was acquired at a temporal resolution of 3 seconds, employing a 90° flip
16 angle and an echo time of 36 ms. Data acquisition utilized a multi-slice echoplanar imaging
17 approach in an interleaved manner. Simultaneously, EEG data was recorded at a digitization
18 rate of 5 kHz, employing 64 channels to comprehensively cover the scalp. The MR-compatible
19 EEG system used was from Brain Products (Gilching, Germany).

20
21 Additionally, concurrent peripheral physiological measures were acquired, including a chest belt
22 to monitor respiratory chest excursion and finger skin photoplethysmography (PPG) to monitor
23 cardiac rate and peripheral vascular volume. These physiological parameters were collected
24 using a Biopac acquisition system with TSD200-MRI and TSD221-MRI transducers, combined
25 with an MP 150 digitizer sampling at 1 kHz, sourced from Biopac in Goleta, CA, USA. To ensure
26 accurate synchronization, data collection for EEG was timed using the 10 MHz clock from the
27 MR instrument. The Biopac device also recorded volume triggers from the MRI scanner to
28 facilitate synchronization of peripheral physiology recordings.

29
30 A total of 12 subjects (aged 18–35 years, including 8 females), out of 16 attempts, completed
31 both nights of scanning (from 23:00 to 07:00 roughly). Throughout each night, the fMRI
32 experiments were intermittently disrupted by either acoustically stimulated or spontaneous
33 awakenings. As a consequence, a series of experimental runs was generated, with durations
34 ranging from 5 minutes to 3 hours. Detailed fMRI, EEG, and peripheral physiological measures
35 preprocessing steps can be found elsewhere (Moehلمان et al., 2019; Picchioni et al., 2022).
36 Briefly, a tailored version of the ‘afni_proc’ script in AFNI software was used (Cox, 1996),
37 including outlier removal, detrend, RETROICOR (Glover et al., 2000), slice timing correction,
38 motion correction, normalization, registration, global signal removal, and censoring (when a
39 motion parameter exceeded 0.3 mm or 0.3 degrees). The EEG signal underwent correction for
40 MRI gradient and cardio-ballistic artifacts and was subsequently down-sampled to a rate of 250
41 Hz using the Analyzer software (Brain Vision, Morrisville, USA). The process of sleep scoring
42 was carried out using a central electrode in 30-second epochs, in accordance with established
43 criteria with standard filters, and channel references (Berry et al., 2020). ICA cleaning and slow

1 wave auto-detection script were applied on EEG signals (Betta et al., 2021; Mensen et al., 2016;
2 Riedner et al., 2007). Sleep score, slow wave density, and peripheral physiological measures
3 were resampled into a 3-second resolution aligned with the BOLD signal.

4
5 **HMM overview.** In pursuit of a data-driven approach to understanding the brain dynamics in the
6 fMRI signals, we employed an HMM(Vidaurre et al., 2018, 2017) to analyze timecourses
7 extracted from 300 ROIs based on the Seitzman 300-ROI atlas (Seitzman et al., 2019). To
8 prepare the data for analysis, we first standardized the participant-specific sets of 300 ROI
9 timecourses, which were then concatenated across all participants. This resulted in a data
10 matrix with dimensions of $300 \times (12 \times \sim 5500)$ for each night, with approximately 5500 repetition
11 time (TR), excluding breaks between runs and censored TR), accounting for 8 hours of scan
12 time based on a 3-second TR.

13
14 The HMM inference process sought to find a sequence of recurring discrete states, each
15 characterized by a distinct statistical arrangement of data. We employed a Gaussian HMM
16 using the Matlab toolbox HMM-MAR (<https://github.com/OHBA-analysis/HMM-MAR>), where
17 each state was modeled as a multivariate normal distribution encompassing both first-order
18 statistics (mean activity) and second-order statistics (covariance matrix). These state
19 parameters were determined collectively at the group level, while the state timecourses were
20 individually defined for each subject. As a result, the HMM identified periods of quasi-stationary
21 activity, during which the 300 ROI timecourses displayed specific configurations of mean activity
22 and FC.

23
24 Given the high spatial dimensionality of fMRI data, we employed Principal Component Analysis
25 (PCA) to reduce the number of parameters in the decomposition process as a common practice.
26 This not only improves the signal-to-noise ratio but also enhances the overall robustness of
27 HMM results (Stevner et al., 2019; Vidaurre et al., 2018, 2017). By selecting the top 13 principal
28 components, we retained 40.7% of the signal variance, resulting in a data matrix with
29 dimensions of $13 \times (12 \times \sim 5500)$. This matrix was then input into the HMM. For a more detailed
30 overview of the analytical workflow, please refer to **Figure 1**.

31
32 **Choice of the number of HMM states.** Our analysis involved running the HMM across a range
33 of model orders, specifically spanning from 4 to 25. The assessment of each solution
34 encompassed various summary statistics, with the most pertinent findings illustrated in
35 **Supplementary Figure 7**.

36
37 **Supplementary Figure 7A** displays the minimum free energy plotted against the HMM model
38 order. This free energy, functioning as a statistical metric, undergoes minimization in the
39 Bayesian optimization process, approximating the model evidence. It encapsulates two crucial
40 factors: the model's alignment with the data and its complexity, assessed by its deviation from
41 the prior distribution. A lower value of free energy indicates a better model. The first negative
42 peak is observed at $K = 21$.

1 To provide insights into the temporal aspects, we defined fractional occupancy as the proportion
2 of time in which an HMM state was active. In **Supplementary Figure 7B** (and **C**), we present
3 the evolution of maximum (median) fractional occupancy across HMM states as a function of
4 the model order. We observe a rapid decline in this curve for low values of K , suggesting that,
5 as anticipated, the contribution of each HMM state to the total recording time decreased with an
6 increasing number of states. However, this trend stabilizes at approximately $K = 21$. This
7 phenomenon is also mirrored in the development of the mean Lifetime of HMM state, which
8 exhibits a similar stabilization pattern at around $K = 21$, as indicated in **Supplementary Figure**
9 **7E**.

10
11 To assess the relationship between the fMRI-based HMM states and PSG-based sleep scoring,
12 we conducted a multivariate analysis of variance (MANOVA). The MATLAB function `manova1`
13 was employed to compute Wilk's Λ , which provides insights into how effectively the K HMM
14 state timecourses can be categorized according to sleep scoring (the lower the better), as
15 depicted in **Supplementary Figure 7D**. There is a local minimum at $K = 21$.

16
17 Taken together, we chose the model order $K = 21$ as the number of HMM states. It should be
18 noted that free energy is weighted most among those five model evaluation statistics.

19
20 **Analysis and visualization of HMM transitions.** The transition probability matrix, a
21 fundamental element explicitly modeled by HMM, exhibited a discernible structure characterized
22 by subnetworks of HMM states that displayed more frequent transitions among themselves than
23 to states external to their respective subnetworks. Essentially, this transition matrix could be
24 viewed as a directed graph marked by a modular organization. This characteristic was
25 effectively demonstrated by applying the transition matrix (depicted in **Figure 3**) to a modularity
26 analysis. This modular analysis was performed using MATLAB functions sourced from the Brain
27 Connectivity Toolbox (<https://sites.google.com/site/bctnet/Home>) (Rubinov and Sporns, 2010),
28 which relies on Newman's spectral community detection method (Leicht and Newman, 2008).

29
30 **Visualizing mean fMRI activation maps and FC patterns of HMM states.** The mean
31 distributions and covariance matrices specific to each state were subsequently projected back
32 onto the MNI space utilizing the mixing matrix derived from the PCA. We generated mean fMRI
33 activation maps and FC patterns for every HMM state relative to the baseline averaged over all
34 HMM states. For FC patterns, within- or between-network connectivities were calculated as the
35 average Fisher-transformed functional connectivity between each pair of ROIs within or
36 between networks. For visualization purposes, we grouped 300 ROIs into 14 networks based on
37 the Seitzman Atlas (Seitzman et al., 2019). In addition, we assigned subcortical and cerebellar
38 regions to the additional four Networks: Posterior Hippocampus (pHIP, anterior hippocampus is
39 included in MTL network), Basal Ganglia (BG), Thalamus (THAL), and Cerebellum (CB). Hence,
40 a total of 18 networks were used.

41
42 **Visualizing state timecourse of HMM states and its associations with PSG stages, PPG**
43 **amplitude, and Respiratory signals.** Two example runs have been shown in **Supplementary**
44 **Figures 8 and 9**. There two examples showed that how HMM state timecourse (top panel)

- 1 contained fine-grained information compared to the traditional PSG-based sleep stages
- 2 (second panel) and also associated with PPG (third panel) and Respiratory signals (last panel).
- 3
- 4

1 Acknowledgment

2 This research was supported by the Intramural Research Program of the NIH, NINDS. Sussan
3 Guttman, Steve Newman, and Tina T. Liu are acknowledged for advice and assistance.

4
5
6
7

8 **Author Contributions**

9 F.N.Y. conceptualized the study, analyzed the data, generated figures, and wrote the original
10 draft. D.P. collected the data and edited the manuscript. J.A.D., Y.W., and P.V. participated in
11 experiment setups and edited the manuscript. J.H.D. supervised the study and edited the
12 manuscript.

13

14 **Financial Disclosure**

15 The authors declare no competing financial interests.

16

17 **Non-financial Disclosure**

18 The authors declare no competing non-financial interests.

19

20 **Data and code availability statement**

21 The datasets analyzed for this study are available from the last author upon reasonable request
22 and in accordance with institutional policies. The codes are available at
23 <https://github.com/nilsyang/Codes>.

24

25

1 References

- 2 Abeyesuriya RG, Robinson PA. 2016. Real-time automated EEG tracking of brain states using
3 neural field theory. *J Neurosci Methods* **258**:28–45. doi:10.1016/j.jneumeth.2015.09.026
- 4 Aston-Jones G, Bloom FE. 1981. Activity of norepinephrine-containing locus coeruleus neurons
5 in behaving rats anticipates fluctuations in the sleep-waking cycle. *J Neurosci* **1**:876–
6 886. doi:10.1523/JNEUROSCI.01-08-00876.1981
- 7 Baker AP, Brookes MJ, Rezek IA, Smith SM, Behrens T, Probert Smith PJ, Woolrich M. 2014.
8 Fast transient networks in spontaneous human brain activity. *elife* **3**:e01867.
- 9 Berry RB, Brooks R, Gamaldo CE. 2020. The AASM manual for the scoring of sleep and
10 associated events: rules, terminology and technical specifications, version 2.6. 0.
11 American Academy of Sleep Medicine, Darien, Illinois; 2020. *Most Recent Scoring Man*
12 *Am Acad Sleep Med AASM*.
- 13 Betta M, Handjaras G, Leo A, Federici A, Farinelli V, Ricciardi E, Siclari F, Meletti S, Ballotta D,
14 Benuzzi F, Bernardi G. 2021. Cortical and subcortical hemodynamic changes during
15 sleep slow waves in human light sleep. *NeuroImage* **236**:118117.
16 doi:10.1016/j.neuroimage.2021.118117
- 17 Brandenberger G, Ehrhart J, Buchheit M. 2005. Sleep Stage 2: An Electroencephalographic,
18 Autonomic, and Hormonal Duality. *Sleep* **28**:1535–1540. doi:10.1093/sleep/28.12.1535
- 19 Braun AR, Balkin TJ, Wesenten NJ, Carson RE, Varga M, Baldwin P, Selbie S, Belenky G,
20 Herscovitch P. 1997. Regional cerebral blood flow throughout the sleep-wake cycle. An
21 H2(15)O PET study. *Brain* **120**:1173–1197. doi:10.1093/brain/120.7.1173
- 22 Carskadon MA, Dement WC. 2011. Principles and Practice of Sleep Medicine 5th edn, ed M H
23 Kryger et al.
- 24 Cheng Y, Xue T, Dong F, Hu Y, Zhou M, Li X, Huang R, Lu X, Yuan K, Yu D. 2022. Abnormal
25 functional connectivity of the salience network in insomnia. *Brain Imaging Behav*
26 **16**:930–938. doi:10.1007/s11682-021-00567-9
- 27 Christensen JAE, Carrillo O, Leary EB, Peppard PE, Young T, Sorensen HBD, Jennum P,
28 Mignot E. 2015. Sleep-stage transitions during polysomnographic recordings as
29 diagnostic features of type 1 narcolepsy. *Sleep Med* **16**:1558–1566.
- 30 Collins L, Francis J, Emanuel B, McCormick DA. 2023. Cholinergic and noradrenergic axonal
31 activity contains a behavioral-state signal that is coordinated across the dorsal cortex.
32 *eLife* **12**:e81826. doi:10.7554/eLife.81826
- 33 Cox RW. 1996. AFNI: Software for Analysis and Visualization of Functional Magnetic
34 Resonance Neuroimages. *Comput Biomed Res* **29**:162–173.
35 doi:10.1006/cbmr.1996.0014
- 36 Damaraju E, Tagliazucchi E, Laufs H, Calhoun VD. 2020. Connectivity dynamics from
37 wakefulness to sleep. *NeuroImage* **220**:117047. doi:10.1016/j.neuroimage.2020.117047
- 38 Decat N, Walter J, Koh ZH, Sribanditmongkol P, Fulcher BD, Windt JM, Andrillon T, Tsuchiya N.
39 2022. Beyond traditional sleep scoring: Massive feature extraction and data-driven
40 clustering of sleep time series. *Sleep Med* **98**:39–52. doi:10.1016/j.sleep.2022.06.013
- 41 Diekelmann S, Born J. 2010. The memory function of sleep. *Nat Rev Neurosci* **11**:114–126.
42 doi:10.1038/nrn2762
- 43 Fang Z, Spaeth AM, Ma N, Zhu S, Hu S, Goel N, Detre JA, Dinges DF, Rao H. 2015. Altered
44 salience network connectivity predicts macronutrient intake after sleep deprivation. *Sci*
45 *Rep* **5**:1–8.
- 46 Glover GH, Li T-Q, Ress D. 2000. Image-based method for retrospective correction of
47 physiological motion effects in fMRI: RETROICOR. *Magn Reson Med* **44**:162–167.
48 doi:10.1002/1522-2594(200007)44:1<162::AID-MRM23>3.0.CO;2-E

1 Himanen S-L, Hasan J. 2000. Limitations of Rechtschaffen and Kales. *Sleep Med Rev* **4**:149–
2 167. doi:10.1053/smr.1999.0086

3 Jones BE. 2020. Arousal and sleep circuits. *Neuropsychopharmacology* **45**:6–20.
4 doi:10.1038/s41386-019-0444-2

5 Kishi A, Natelson BH, Togo F, Struzik ZR, Rapoport DM, Yamamoto Y. 2011. Sleep-Stage
6 Dynamics in Patients with Chronic Fatigue Syndrome with or without Fibromyalgia.
7 *Sleep* **34**:1551–1560. doi:10.5665/sleep.1396

8 Kjaerby C, Andersen M, Hauglund N, Untiet V, Dall C, Sigurdsson B, Ding F, Feng J, Li Y,
9 Weikop P, Hirase H, Nedergaard M. 2022. Memory-enhancing properties of sleep
10 depend on the oscillatory amplitude of norepinephrine. *Nat Neurosci* **25**:1059–1070.
11 doi:10.1038/s41593-022-01102-9

12 Koenig P, Smith EE, Glosser G, DeVita C, Moore P, McMillan C, Gee J, Grossman M. 2005.
13 The neural basis for novel semantic categorization. *NeuroImage* **24**:369–383.
14 doi:10.1016/j.neuroimage.2004.08.045

15 Lambert I, Peter-Derex L. 2023. Spotlight on Sleep Stage Classification Based on EEG. *Nat Sci*
16 *Sleep* **15**:479–490. doi:10.2147/NSS.S401270

17 Lancet T. 2022. Waking up to the importance of sleep. *The Lancet* **400**:973. doi:10.1016/S0140-
18 6736(22)01774-3

19 Lee YJ, Lee JY, Cho JH, Choi JH. 2022. Interrater reliability of sleep stage scoring: a meta-
20 analysis. *J Clin Sleep Med* **18**:193–202. doi:10.5664/jcsm.9538

21 Leicht EA, Newman MEJ. 2008. Community Structure in Directed Networks. *Phys Rev Lett*
22 **100**:118703. doi:10.1103/PhysRevLett.100.118703

23 Li Y, Zou G, Shao Y, Yao P, Liu J, Zhou S, Hu S, Xu J, Guo Y, Gao J-H. 2022. Sleep
24 discrepancy is associated with alterations in the salience network in patients with
25 insomnia disorder: an EEG-fMRI study. *NeuroImage Clin* **35**:103111.

26 Menon V. 2011. Large-scale brain networks and psychopathology: a unifying triple network
27 model. *Trends Cogn Sci* **15**:483–506. doi:10.1016/j.tics.2011.08.003

28 Mensen A, Riedner B, Tononi G. 2016. Optimizing detection and analysis of slow waves in
29 sleep EEG. *J Neurosci Methods* **274**:1–12. doi:10.1016/j.jneumeth.2016.09.006

30 Moehlman TM, de Zwart JA, Chappel-Farley MG, Liu X, McClain IB, Chang C, Mandelkow H,
31 Özbay PS, Johnson NL, Bieber RE, Fernandez KA, King KA, Zalewski CK, Brewer CC,
32 van Gelderen P, Duyn JH, Picchioni D. 2019. All-night functional magnetic resonance
33 imaging sleep studies. *J Neurosci Methods, Methods and models in sleep research: A*
34 *Tribute to Vincenzo Crunelli* **316**:83–98. doi:10.1016/j.jneumeth.2018.09.019

35 Osorio-Forero A, Foustoukos G, Cardis R, Cherrad N, Devenoges C, Fernandez LMJ, Lüthi A.
36 2023. Locus coeruleus activity fluctuations set a non-reducible timeframe for mammalian
37 NREM-REM sleep cycles. doi:10.1101/2023.05.20.541586

38 Peters SK, Dunlop K, Downar J. 2016. Cortico-Striatal-Thalamic Loop Circuits of the Salience
39 Network: A Central Pathway in Psychiatric Disease and Treatment. *Front Syst Neurosci*
40 **10**:104. doi:10.3389/fnsys.2016.00104

41 Picchioni D, Duyn JH, Horovitz SG. 2013. Sleep and the functional connectome. *NeuroImage*
42 **80**:387–396. doi:10.1016/j.neuroimage.2013.05.067

43 Picchioni D, Özbay PS, Mandelkow H, de Zwart JA, Wang Y, van Gelderen P, Duyn JH. 2022.
44 Autonomic arousals contribute to brain fluid pulsations during sleep. *NeuroImage*
45 **249**:118888. doi:10.1016/j.neuroimage.2022.118888

46 Rechtschaffen A, Kales A. 1968. A Manual of Standardized Terminology, Techniques and
47 Scoring System for Sleep Stages of Human Subjects. *Brain Inf Serv*.

48 Riedner BA, Vyazovskiy VV, Huber R, Massimini M, Esser S, Murphy M, Tononi G. 2007. Sleep
49 Homeostasis and Cortical Synchronization: III. A High-Density EEG Study of Sleep Slow
50 Waves in Humans. *Sleep* **30**:1643–1657. doi:10.1093/sleep/30.12.1643

- 1 Rosenberg RS, Van HS. 2013. The American Academy of Sleep Medicine Inter-scorer
2 Reliability Program: Sleep Stage Scoring. *J Clin Sleep Med* **09**:81–87.
3 doi:10.5664/jcsm.2350
- 4 Rubinov M, Sporns O. 2010. Complex network measures of brain connectivity: Uses and
5 interpretations. *NeuroImage* **52**:1059–1069. doi:10.1016/j.neuroimage.2009.10.003
- 6 Rué-Queralt J, Stevner A, Tagliazucchi E, Laufs H, Kringelbach ML, Deco G, Atasoy S. 2021.
7 Decoding brain states on the intrinsic manifold of human brain dynamics across
8 wakefulness and sleep. *Commun Biol* **4**:1–11. doi:10.1038/s42003-021-02369-7
- 9 Seeley WW. 2019. The Saliency Network: A Neural System for Perceiving and Responding to
10 Homeostatic Demands. *J Neurosci* **39**:9878–9882. doi:10.1523/JNEUROSCI.1138-
11 17.2019
- 12 Seitzman B, Gratton C, Marek S, Raut R, Dosenbach N, Schlaggar B, Petersen S, Greene D.
13 2019. A set of functionally-defined brain regions with improved representation of the
14 subcortex and cerebellum. *NeuroImage* **206**:116290.
15 doi:10.1016/j.neuroimage.2019.116290
- 16 Simor P, van der Wijk G, Nobili L, Peigneux P. 2020. The microstructure of REM sleep: Why
17 phasic and tonic? *Sleep Med Rev* **52**:101305. doi:10.1016/j.smrv.2020.101305
- 18 Stevner ABA, Vidaurre D, Cabral J, Rapuano K, Nielsen SFV, Tagliazucchi E, Laufs H, Vuust P,
19 Deco G, Woolrich MW, Van Someren E, Kringelbach ML. 2019. Discovery of key whole-
20 brain transitions and dynamics during human wakefulness and non-REM sleep. *Nat*
21 *Commun* **10**:1035. doi:10.1038/s41467-019-08934-3
- 22 Strauss M, Griffon L, Van Beers P, Elbaz M, Bouziotis J, Sauvet F, Chennaoui M, Léger D,
23 Peigneux P. 2022. Order matters: sleep spindles contribute to memory consolidation
24 only when followed by rapid-eye-movement sleep. *Sleep* **45**:zsac022.
25 doi:10.1093/sleep/zsac022
- 26 Tagliazucchi E, Laufs H. 2014. Decoding Wakefulness Levels from Typical fMRI Resting-State
27 Data Reveals Reliable Drifts between Wakefulness and Sleep. *Neuron* **82**:695–708.
28 doi:10.1016/j.neuron.2014.03.020
- 29 Tagliazucchi E, van Someren EJW. 2017. The large-scale functional connectivity correlates of
30 consciousness and arousal during the healthy and pathological human sleep cycle.
31 *NeuroImage, Functional Architecture of the Brain* **160**:55–72.
32 doi:10.1016/j.neuroimage.2017.06.026
- 33 Vidaurre D, Abeyesuriya R, Becker R, Quinn AJ, Alfaro-Almagro F, Smith SM, Woolrich MW.
34 2018. Discovering dynamic brain networks from big data in rest and task. *NeuroImage*
35 **180**:646–656.
- 36 Vidaurre D, Smith SM, Woolrich MW. 2017. Brain network dynamics are hierarchically
37 organized in time. *Proc Natl Acad Sci* **114**:12827–12832. doi:10.1073/pnas.1705120114
- 38 Wei Y, Colombo MA, Ramautar JR, Blanken TF, van der Werf YD, Spiegelhalder K, Feige B,
39 Riemann D, Van Someren EJW. 2017. Sleep Stage Transition Dynamics Reveal
40 Specific Stage 2 Vulnerability in Insomnia. *Sleep* **40**:zsx117. doi:10.1093/sleep/zsx117
- 41 Wei Y, Leerssen J, Wassing R, Stoffers D, Perrier J, Van Someren EJW. 2020. Reduced
42 dynamic functional connectivity between salience and executive brain networks in
43 insomnia disorder. *J Sleep Res* **29**:e12953. doi:10.1111/jsr.12953
- 44 Zhou S, Zou G, Xu J, Su Z, Zhu H, Zou Q, Gao J-H. 2019. Dynamic functional connectivity
45 states characterize NREM sleep and wakefulness. *Hum Brain Mapp* **40**:5256–5268.
46 doi:10.1002/hbm.24770
47
48
49