

Persistence of the T12 *Vibrio cholerae* O1 lineage in West Africa: Insights from a Regional Sequencing Workshop

Eme Ekeng^{1*}, Serges Tchatchouang^{2*}, Blaise Akenji³, Bassira Boubacar Issaka⁴, Ifeoluwa Akintayo⁵, Christopher Chukwu¹, Ibrahim Dan Dano⁴, Sylvie Melingui³, Ousmane Sani⁴, Michael Oladotun Popoola¹, Ariane Nzouankeu², Yap Boum⁶, Francisco J Luquero⁶, Anthony Ahumibe¹, Dhamari Naidoo⁷, Andrew S Azman⁸, Justin Lessler⁸, Shirlee Wohl⁸

Affiliations:

¹ Nigeria Centre for Disease Control, Abuja, Nigeria

² Centre Pasteur du Cameroun, Yaoundé, Cameroon

³ National Public Health Laboratory, Yaoundé, Cameroon

⁴ Centre de Recherche Médicale et Sanitaire, Niamey, Niger

⁵ Faculty of Pharmacy, University of Ibadan, Ibadan, Nigeria

⁶ Epicentre, Paris, France

⁷ World Health Organization Nigeria, Abuja, Nigeria

⁸ Johns Hopkins Bloomberg School of Public Health, Baltimore, Maryland, United States

* authors contributed equally

Abstract

We sequenced 46 *Vibrio cholerae* isolates from Cameroon, Niger, and Nigeria, 37 of which were from 2018–2019. These sequences belong to the T12 lineage observed in the region since 2009, suggesting continuous transmission. Data were generated during a workshop in Nigeria, providing a model for future regionally coordinated surveillance efforts.

28 Introduction

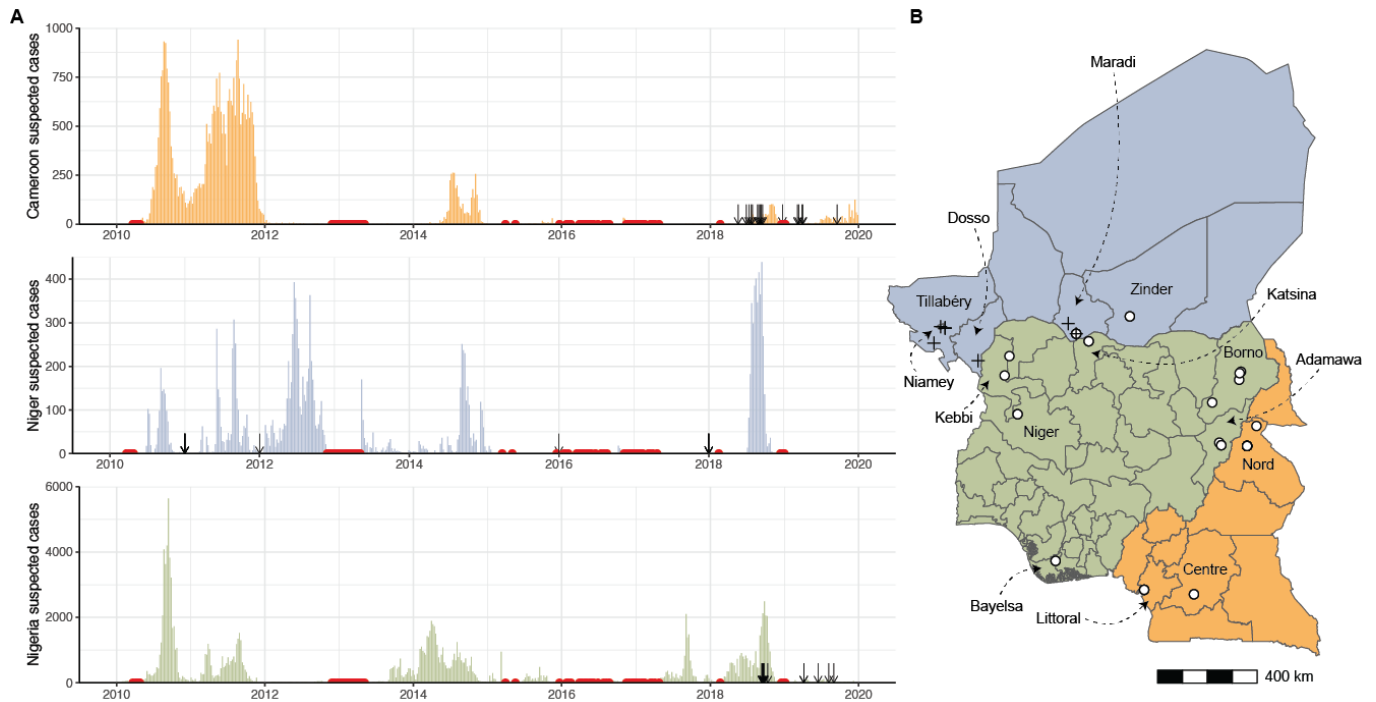
29 Molecular characterization of pandemic *Vibrio cholerae* has led to new insights about global cholera transmission
30 and has highlighted the important role of transmission within and between Asia and Africa (1). Combining genomic
31 and epidemiological data may allow us to better understand the dynamics of ongoing outbreaks, and advances in
32 sequencing technology have recently made whole genome sequencing more feasible even in low-resource settings.

33 Although recent studies have used whole genome sequences of *V. cholerae* O1 to better understand the global
34 movement patterns of seventh pandemic cholera in sub-Saharan Africa and elsewhere (1–4), regional and local
35 dynamics in West Africa—which reports cholera regularly—are still poorly understood. Epidemiological data
36 suggest outbreaks across this region may be connected (5–7), but the nature of recurring outbreaks in the region has
37 yet to be understood. It is unclear if cases go unreported in years between outbreaks or if each represents a distinct
38 pandemic *V. cholerae* introduction from outside the region. Discerning between these two transmission scenarios is
39 important for the development of locally-adapted and effective cholera control and prevention strategies.

40 Here we focus on the 2018–2019 cholera outbreaks in three countries with endemic cholera—Cameroon, Niger,
41 and Nigeria—to understand what *V. cholerae* sequence data from these outbreaks can tell us about transmission
42 patterns within the region. These three countries all reported large numbers of cholera cases during this time period
43 (2,066, 3,083, and 32,752, respectively) (8,9) after several years of reported low cholera incidence (**Fig 1A**). Broad
44 sequencing of historical *V. cholerae* isolates included 45 sequences from Cameroon from 1970–2011, 15 sequences
45 from Niger from 1970–2010, and 22 sequences from Nigeria from 1970–2014 (1,2). The specific lineage of *V.*
46 *cholerae* circulating in each country, determined from the genomic data, provides important information about the
47 movement of the disease.

48 Previous studies have shown that the T1 lineage was the predominant lineage circulating in Cameroon, Nigeria, and
49 Nigeria in 1970, followed by the T7 and T9 lineages in the 1990s and early 2000s (1,2). Since 2009, only T12 has
50 been observed in these countries, and this appears to be the predominant lineage in Western Africa and nearby
51 countries in Central Africa. In any given year, the circulating *V. cholerae* lineage was the same in Cameroon, Niger,
52 and Nigeria (1,2), providing additional evidence that outbreaks in these countries are connected. As five years had
53 elapsed since the last published *V. cholerae* O1 genome in the region, we aimed to generate a contemporary
54 snapshot of recent *V. cholerae* O1 outbreaks to determine if recent cases were due to a new introduction of the
55 pathogen, and to gain new insights into regional cholera transmission dynamics and spread of antibiotic resistance.

56



57

58 **Figure 1. Cholera cases and sequenced isolates.** (A) Weekly reported suspected cholera cases for Cameroon (orange), Niger
59 (blue) and Nigeria (green) from 2010 through 2019 (8). Red points: weeks with no more than five suspected cases reported
60 across all three countries. Arrows: collection dates of isolates sequenced. Collection dates provided as year only are plotted
61 on January 1 of their given year. (B) Map of Cameroon, Niger, and Nigeria. Colors are as in (A). White points: location of
62 sequenced isolates collected in 2018-2019. Black crosses: location of sequenced isolates collected prior to 2018. Two isolates
63 with unknown sub-country locations are not shown.

64 The Study

65 In October 2019, researchers from Cameroon, Niger, Nigeria, and the United States came together to discuss the
66 specific cholera surveillance questions in these African countries and how whole genome sequencing can be used to
67 address them. Simultaneously, researchers generated whole genome sequences from *V. cholerae* isolates collected
68 in these countries and discussed plans for building a regional cholera genomics network to help inform cholera
69 preparedness and outbreak response.

70 A key component of this workshop was bringing together detailed epidemiological data from the three countries
71 and using this to select *V. cholerae* isolates for sequencing that captured the 2018–2019 outbreak over time and
72 space. We also prioritized isolates from locations near the borders between the three countries, in order to increase
73 the likelihood of capturing evidence of cross-border transmission. We selected 46 isolates from clinical and lab
74 confirmed cases for sequencing (16 from Cameroon, 15 from Niger, 15 from Nigeria), 37 of which were from
75 2018–2019 cases (**Fig 1B, Appendix Table 1**).

76 We sequenced extracted DNA from these isolates on the Oxford Nanopore MinION and assembled genomes by
77 aligning the resulting sequencing reads to the seventh pandemic O1 reference genome, strain N16961 (GenBank

78 accession: AE003852/AE003853) (1,10). We also performed antimicrobial resistance (AMR) gene detection on
79 these sequences and compared the results to previously published sequences.

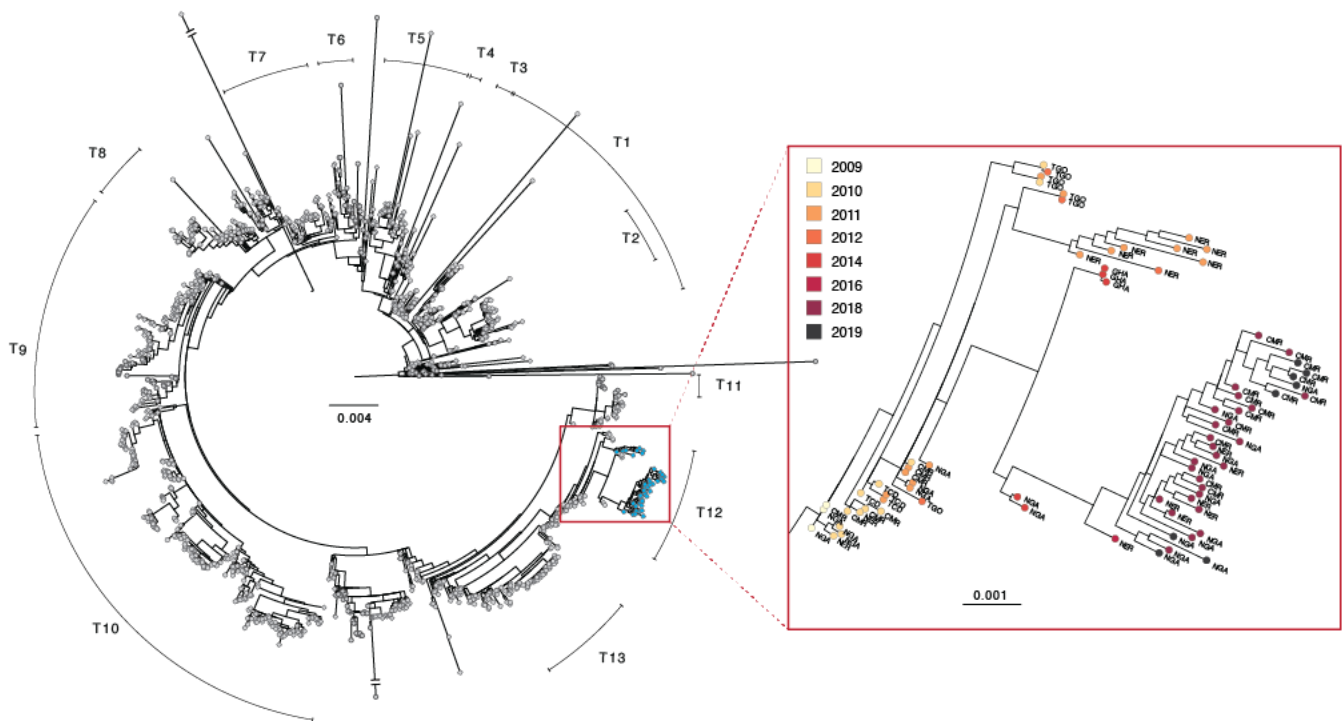
80 Forty-four genomes produced reference-based assemblies (covering at least 95% of the N16961 reference at >100x
81 coverage, **Appendix Table 2**). We aligned these genomes to 1280 previously-published *V. cholerae* O1 whole
82 genome sequences (1,2,11,12) and generated a maximum likelihood tree from these data, which showed that all 44
83 isolates belong to the T12 lineage. Two sequenced isolates did not align to the reference (NGA_148_2019,
84 NGA_252_2019), and we found that the reads did not map to the *wbe* or *wbf* gene clusters associated with the O1
85 and O139 serogroups, respectively (or the *ctxA* cholera toxin) (13). These results are concordant with laboratory
86 testing performed in Nigeria, which designated these isolates as non-O1 *V. cholerae*. AMR profiles were similar to
87 previously published sequences from this region, though we detected new mutations in genes (*gyrA* and *gyrB*)
88 associated with quinolone resistance (see **Appendix** for detailed experimental methods and AMR results).

89 **Conclusions**

90 We did not find evidence for a new introduction of *V. cholerae* O1 between 2014—the date of the last published
91 isolate from these countries—and 2018. On the contrary, we found evidence for evolution of the bacterium within
92 the region: all isolates from 2018–2019 (as well as the 2011–2016 isolates from Niger) fall within the T12 lineage,
93 and the 2018–2019 sequences are part of a sub-clade containing 2014 and 2016 isolates from countries in West
94 Africa (**Fig 2**). Within this sub-clade, the 2018–2019 sequences are distinct. In concordance with the epidemiologic
95 data, the high similarity between sequences (including shared mutations in known AMR genes, see **Appendix**
96 **Table 3** and **4**) from the three countries suggests that their outbreaks are linked.

97
98 The phylogeny also suggests that nearby countries such as Ghana and Togo may have outbreaks connected to those
99 in Cameroon, Niger, and Nigeria, though it is unclear just how far this cholera transmission region extends. As of
100 this writing, there are no published *V. cholerae* O1 genomes from the nearby countries of Benin, Burkina Faso, or
101 Mali, for example, from after 2010. Sequences from Central African Republic, South Sudan and Democratic
102 Republic of the Congo from 2011–2018 suggest that the T10 lineage is predominant in Central Africa (2,12), but
103 more recent data are needed to delineate the boundary between T10 and T12 circulation.

It is made available under a [CC-BY 4.0 International license](https://creativecommons.org/licenses/by/4.0/) .



104

105 **Figure 2. Phylogenetic tree of *V. cholerae* O1 sequences.** Left: maximum likelihood tree of global *V. cholerae* isolates.
106 Samples generated in this study are shown in blue. Right: zoom view of a portion of the T12 lineage containing *V. cholerae*
107 genomes generated in this study. Country codes: TGO, Togo; NER, Niger; GHA, Ghana; CMR, Cameroon; NGA, Nigeria; TCD,
108 Chad. Scale bar unit: nucleotide substitutions per site.

109

110 Even so, there is strong evidence that, at least in Cameroon, Niger, and Nigeria, T12 *V. cholerae* was present
111 throughout 2009–2019, even though there were few reported cases in 2014–2017. This could be explained by
112 underreporting or under-diagnosing of cases, movement of the same cholera lineage in and out of these countries
113 during that time period, or an environmental reservoir of *V. cholerae* in the region (such as Lake Chad, though prior
114 studies have provided evidence against this (14)) that is responsible for repeated reintroduction of the same lineage
115 back into the population.

116

117 Expanded surveillance and additional sequencing data will be necessary to understand the interconnectedness of
118 populations across countries and achieve global elimination goals such as those outlined in the GTFCC Roadmap.
119 For example, limiting cross-border movement is an ineffective strategy in the presence of a natural reservoir
120 responsible for repeated reintroduction. Additionally, sequencing data can be used to detect and track resistance to
121 antibiotic treatments, and to identify potential new resistance-conferring mutations present in local isolates (15). A
122 regional cholera surveillance network could facilitate efforts to gather isolates, build the local capacity needed to
123 generate sequencing data, and ensure that these data are interpreted within the regional context. As a result of the
124 workshop, scientists from Cameroon, Niger, and Nigeria have all been trained in *V. cholerae* sequencing with the
125 Oxford Nanopore MinION platform; expanding sequencing knowledge and capacity beyond these three countries
126 will make it easy to generate the data needed to control cholera outbreaks in the region.

127

128 **Acknowledgements**

129 This project was made possible by the Nigeria Centre for Disease Control, who graciously hosted researchers at the
130 National Reference Laboratory in Abuja, Nigeria for training and *V. cholerae* sequencing. We thank Aicha Omar
131 for laboratory assistance and strain isolation, Alama Keita and the West Africa Cholera Platform for sharing
132 incidence data, David Mohr for laboratory assistance and space, and Daryl Domman for providing *V. cholerae*
133 alignments used as a background phylogenetic dataset. We also thank the original authors of the sequences used in
134 this background dataset (references provided in Appendix). Funding for this project was provided by Bill and
135 Melinda Gates Foundation OPP1195157.

136 References

- 137 1. Weill F-X, Domman D, Njamkepo E, Tarr C, Rauzier J, Fawal N, et al. Genomic history of the seventh pandemic of
138 cholera in Africa. *Science*. 2017 Nov 10;358(6364):785–9.
- 139 2. Weill F-X, Domman D, Njamkepo E, Almesbahi AA, Naji M, Nasher SS, et al. Genomic insights into the 2016-2017
140 cholera epidemic in Yemen. *Nature*. 2019 Jan;565(7738):230–3.
- 141 3. Mutreja A, Kim DW, Thomson NR, Connor TR, Lee JH, Kariuki S, et al. Evidence for several waves of global
142 transmission in the seventh cholera pandemic. *Nature*. 2011 Aug 24;477(7365):462–5.
- 143 4. Domman D, Quilici M-L, Dorman MJ, Njamkepo E, Mutreja A, Mather AE, et al. Integrated view of *Vibrio cholerae* in
144 the Americas. *Science*. 2017 Nov 10;358(6364):789–93.
- 145 5. UNICEF. Cholera Epidemiology and Response Factsheet Niger [Internet]. 2013. Available from:
146 <https://www.unicef.org/cholera/files/UNICEF-Factsheet-Niger-EN-FINAL.pdf>
- 147 6. UNICEF. Cholera Epidemiology and Response Factsheet Nigeria [Internet]. 2013. Available from:
148 <https://www.unicef.org/cholera/files/UNICEF-Factsheet-Nigeria-EN-FINAL.pdf>
- 149 7. UNICEF. Cholera Epidemiology Response Factsheet Cameroon [Internet]. 2013. Available from:
150 <https://www.unicef.org/cholera/files/UNICEF-Factsheet-Cameroon-EN-FINAL.pdf>
- 151 8. Regional Cholera Platform in West and Central Africa [Internet]. Available from:
152 <https://www.platformecholera.info/index.php/cholera-in-wca/>
- 153 9. Nigeria Centre for Disease Control. National Monthly Update for Cholera in Nigeria. 1 November, 2019. Report No.: 05.
- 154 10. Clark K, Karsch-Mizrachi I, Lipman DJ, Ostell J, Sayers EW. GenBank. *Nucleic Acids Res*. 2016 Jan 4;44(D1):D67–72.
- 155 11. Bwire G, Sack DA, Almeida M, Li S, Voeglein JB, Debes AK, et al. Molecular characterization of *Vibrio cholerae*
156 responsible for cholera epidemics in Uganda by PCR, MLVA and WGS. *PLoS Negl Trop Dis*. 2018 Jun;12(6):e0006492.
- 157 12. Ireng LM, Ambroise J, Mitangala PN, Bearzatto B, Kabangwa RKS, Durant J-F, et al. Genomic analysis of pathogenic
158 isolates of *Vibrio cholerae* from eastern Democratic Republic of the Congo (2014-2017). *PLoS Negl Trop Dis*. 2020
159 Apr;14(4):e0007642.
- 160 13. Greig DR, Schaefer U, Octavia S, Hunter E, Chattaway MA, Dallman TJ, et al. Evaluation of Whole-Genome Sequencing
161 for Identification and Typing of *Vibrio cholerae*. *J Clin Microbiol* [Internet]. 2018 Nov;56(11). Available from:
162 <http://dx.doi.org/10.1128/JCM.00831-18>
- 163 14. Debes AK, Ateudjieu J, Guenou E, Ebile W, Sonkoua IT, Njimbina AC, et al. Clinical and Environmental Surveillance for
164 *Vibrio cholerae* in Resource Constrained Areas: Application During a 1-Year Surveillance in the Far North Region of
165 Cameroon. *Am J Trop Med Hyg*. 2016 Mar;94(3):537–43.
- 166 15. Mashe T, Domman D, Tarupiwa A, Manangazira P, Phiri I, Masunda K, et al. Highly Resistant Cholera Outbreak Strain
167 in Zimbabwe. *N Engl J Med*. 2020 Aug 13;383(7):687–9.