

Running title: Talkers' voice quality through cochlear implant

1 **Simulated cochlear-implant processing reveals major loss of acoustic information relevant to talkers'**  
2 **voice quality differences**<sup>a)</sup>

3

4 Meisam K. Arjmandi<sup>1,b)</sup>, Hamzeh Ghasemzadeh<sup>1,c)</sup>, Laura C. Dilley<sup>1</sup>

5

6 <sup>1</sup> Department of Communicative Sciences and Disorders, Michigan State University, 1026 Red  
7 Cedar Road, East Lansing, Michigan 48824, USA

8

9

10 Date of manuscript submission: June 3, 2020

11

12 <sup>a)</sup> Portions of this work were presented at the 177<sup>th</sup> Meeting of the Acoustical Society of America,  
13 Louisville, Kentucky, USA, May 2019.

14

15 <sup>b)</sup> Current affiliation: Department of Otolaryngology – Head and Neck Surgery, Massachusetts Eye  
16 and Ear and Harvard Medical School, Boston, Massachusetts, USA. Email:  
17 [meisam\\_khalilarjmandi@meei.harvard.edu](mailto:meisam_khalilarjmandi@meei.harvard.edu)

18

19 <sup>c)</sup> Also affiliated with: The Department of Computational Mathematics Science and Engineering,  
20 Michigan State University, East Lansing, Michigan, USA.

21

Running title: Talkers' voice quality through cochlear implant

22 **ABSTRACT**

23 The ability to discern variations in talkers' voice quality is important for effective talker  
24 identification and robust speech processing; yet, little is known about how faithfully acoustic  
25 information relevant to variations in talkers' voice quality is transmitted through cochlear implant  
26 (CI) speech processing. This study analyzed unprocessed and CI-simulated versions of sustained  
27 vowel sounds /a/ from two groups of individuals with normal and disordered voice qualities to  
28 investigate the effects of CI speech processing on acoustic information relevant to the talkers'  
29 voice quality distinction. The CI-simulated stimuli were created by processing the vowel sounds  
30 using 4-, 8-, 12-, 16-, 22-, and 32-channel noise-vocoders. The voice quality for each stimulus was  
31 characterized by calculating *mel-frequency cepstral coefficients* (MFCCs). Then, the effects of CI  
32 speech processing on the acoustic distinctiveness between normal and disordered voices was  
33 measured by calculating the *Mahalanobis distance* and classification accuracy of *support vector*  
34 *machines* (SVMs) on their MFCC features. The results showed that CI noise vocoding is  
35 substantially detrimental to acoustic information involved in voice quality distinction, suggesting  
36 that CI listeners likely experience difficulties in perceiving voice quality variations. The results  
37 underscore challenges CI users may face for effective recognition of talkers and processing their  
38 speech.

39 *Keywords:* Talkers' voice quality, cochlear implant, acoustic distance

40

41

42

43

Running title: Talkers' voice quality through cochlear implant

## 44 **I. INTRODUCTION**

45 The abundant spectro-temporal cues in speech serve as rich sources of information for listeners to  
46 learn and retrieve a variety of linguistic and indexical cues important for robust speech  
47 comprehension and language development. Talkers' voice quality is one such aspect that listeners  
48 with normal hearing (NH) have access for capturing several indexical and sociolinguistics  
49 information and, thus establish successful spoken communication. Variations in talkers' voice  
50 quality facilitate human spoken communication in multiple ways. These variations may provide  
51 perceptually salient grammatical and phonological cues for language comprehension (Cameron,  
52 2001; Dicanio, 2009; Dolar, 2006; Garellek & Keating, 2011; Gordon, 2001; Gordon &  
53 Ladefoged, 2001; Henton, 1986; Ogden, 2001). Furthermore, listeners use acoustic information  
54 relevant to talkers' voice quality to encode and discern various indexical information related to  
55 talkers' identity such as gender, age, and race (Abberton & Fourcin, 1978; Eidsheim, 2012; Laver,  
56 1968). This encoded information is actively incorporated by listeners to identify and recognize  
57 talkers (Gussenhoven & Rietveld, 1998; Latinus & Belin, 2011; Van Dommelen, 1987) and  
58 understand their speech (e.g., Creel & Tumlin, 2011). Talkers' voice quality also contributes to  
59 speech understanding through constructing stance in communicative interaction, particularly by  
60 conveying talkers' affective states during communication (e.g., happiness, anger, etc.; Aubergé &  
61 Cathiard, 2003; Guzman, Correa, Muñoz, & Mayerhoff, 2013; Podesva, 2007; Sicoli, 2010; Tsai  
62 et al., 2010; Zimman, 2012). In addition, listeners use talkers' voice quality to infer their medical  
63 conditions (i.e., physical, psychological, and mental status; e.g., Kreiman, Gerratt, Kempster,  
64 Erman, & Berke, 1993; Laver, 1968). While listeners with normal hearing (NH) can often readily  
65 infer this information from talkers' voice, little is known about how CI speech processing may  
66 impact faithful transmission of acoustic information relevant to talkers' voice quality distinction.

Running title: Talkers' voice quality through cochlear implant

67 The present study examined unprocessed and CI-simulated sustained vowel sound /a/ uttered by  
68 two groups of individuals with normal and disordered voice qualities to examine the effect of CI  
69 speech processing on voice quality distinction.

#### 70 **A. Talkers' voice quality and robust speech comprehension**

71 Acoustic information relevant to talkers' voice quality signals a range of attributes, which together  
72 facilitates robust perception of speech. In fact, variations in talkers' voice translate into perceptual  
73 attributes of voice quality such as breathiness, roughness, creakiness, and nasality (Childers & Lee,  
74 1991; Eskenazi, Childers, & Hicks, 1990; Klatt & Klatt, 1990), which can directly provide  
75 linguistic cues for speech sound contrast (Dicanio, 2009; Garellek & Keating, 2011; Gordon, 2001;  
76 Gordon & Ladefoged, 2001). For instance, speakers of English and Finish modify their voicing  
77 behaviors and use creaky voice to signal phrase-final position (Henton, 1986; Ogden, 2001) and  
78 convey linguistic information at segmental and prosodic levels (Dilley, Shattuck-Hufnagel, &  
79 Ostendorf, 1996; Dilley, Arjmandi, Ireland, Heffner, & Pitt, 2016; Redi & Shattuck-Hufnagel,  
80 2001). Spectral measures such as *H1-H2*, *H1-A2*, and cepstral peak prominence (CPP) are acoustic  
81 correlates of talkers' voice quality that were shown to be able to reflect these variations and  
82 distinguish between phonation types (Dicanio, 2009; Garellek & Keating, 2011). Furthermore,  
83 access to acoustic information related to talkers' voice quality is crucial for effective speech  
84 comprehension because learning talker-specific information is essential for dealing with talker  
85 variability and, thus robust perception of speech (Johnson, 2005; Kleinschmidt & Jaeger, 2015;  
86 Pisoni, 1992). These findings highlight the importance of having access to voice quality-related  
87 acoustic information in talkers' voice for robust speech comprehension.

Running title: Talkers' voice quality through cochlear implant

## 88 **B. Talkers' voice quality and talker identification**

89 Robust speech comprehension is also indirectly facilitated through talker identification and  
90 recognition. Listeners actively attend to variations in the talkers' voice quality to index variability  
91 across talkers in their identity. Several studies have demonstrated the connection between talkers'  
92 voice quality and their gender (e.g., Gussenhoven, 2004; Ohala, 1983; Puts, Hodges, Cárdenas, &  
93 Gaulin, 2007), race (Alim, 2004; Irwin, 1977; Moisik, 2013; Thomas & Reaser, 2004), ethnicity  
94 (Purnell, Idsardi, & Baugh, 1999), social group (Esling, 1978; Sicoli, 2007; Stuart-Smith, 1999),  
95 and cultural status (Rilliard, Shochi, Martin, Erickson, & Aubergé, 2009; Stross, 2013), which are  
96 all indices of talkers' identity (Eidsheim, 2012; Podesva & Callier, 2015). Perceptual and acoustic  
97 correlates of voice quality such as pitch, phonation (e.g., breathiness, harshness, and creakiness),  
98 formant frequencies, and difference between amplitude of the first and second harmonics ( $H1-H2$ )  
99 have been shown to reflect talkers' anatomical differences in the size of their larynx and vocal  
100 tracts, and thus are incorporated by listeners to identify talkers' voice (Henton & Bladon, 1985;  
101 Ohala, 1983; Simpson, 2009). Therefore, preserving the integrity of spectro-temporal information  
102 in talkers' voice is important for robust understanding of their speech by listeners.

103 Listeners are able to determine talkers' gender from listening to isolated vowels (Coleman,  
104 1971), as well as to continuous speech (Gelfer & Bennett, 2013). In addition, studies on African  
105 American English demonstrated a connection between talkers' voice quality and their race (Irwin,  
106 1977; Thomas & Reaser, 2004). For example, non-modal voice qualities were found to be  
107 frequently used by African American talkers, leading to a relatively harsh voice quality (Alim,  
108 2004; Britt, 2011). Purnell et al., (1999) showed that landlords use acoustic information from a  
109 short segment of speech in the word "hello" to identify tenants with African American racial  
110 background and inappropriately discriminate against them. Acoustic analysis of African American

Running title: Talkers' voice quality through cochlear implant

111 vowels showed that this racial judgment is likely facilitated through acoustic features relevant to  
112 talkers' phonatory and articulatory behaviors (Arjmandi, Dilley, & Wagner, 2018; Thomas, 2007).  
113 Recognition of talkers' social class is another dimension whereby voice quality contributes to the  
114 recognition of talkers' identity (Esling, 1978; Henton, 1986; Stuart-Smith, 1999). For example,  
115 the level of harshness and pharyngealization in talkers' voice were found to be associated with  
116 talkers' social class. It is therefore important for listeners to have access to acoustic information  
117 relevant to talkers' voice quality variations for talker identification and recognition, and thus  
118 effective speech understanding.

### 119 **C. The role of talkers' voice quality in language development**

120 Learning talker's voice quality also plays an important role in spoken language development.  
121 Children and adults incorporate acoustic information relevant to talkers' voice quality to develop  
122 and construct talker-specific identity. The ability to map talker-specific acoustic information to  
123 talker identity is fundamental to children's successful language development. Infants use talker-  
124 specific information for word recognition and language learning (Houston & Jusczyk, 2000, 2003;  
125 Ramírez-Esparza, García-Sierra, & Kuhl, 2017), suggesting that they likely develop mental  
126 representations specific to talkers' voice information. Time-course of attending to talker-specific  
127 cues in speech begins very early before birth where infants recognize their mother's voice  
128 (Kisilevsky et al., 2003) and was also shown in newborn infants who preferred listening to their  
129 mothers voice over that of a stranger (DeCasper & Fifer, 1980). Models of long-term memory for  
130 voice quality perception suggest that listeners encode and use patterns of voice quality variations  
131 in talkers' speech for perception of voice quality (Papcun, Kreiman, & Davis, 2005). Talkers'  
132 voice quality contributes to learning several other information about talkers such as their physical  
133 status (e.g., body size; Podesva & Callier, 2015), behavioral traits (e.g., smoking behaviors), and

Running title: Talkers' voice quality through cochlear implant

134 their physical, psychological and mental health (e.g., vocal folds disorders, anxiety level, mood;  
135 e.g., Kreiman, Vanlancker-Sidtis, & Gerratt, 2005). One example of relying on voice quality for  
136 medical diagnosis is the auditory perceptual assessment of individuals' voice by speech-language  
137 pathologists (SLPs) for differential diagnosis of disordered voices (Kreiman & Gerratt, 1996;  
138 Kreiman, Gerratt, & Ito, 2007). Although some of this information is partially retrievable in the  
139 absence of voice quality cues (e.g., Fellowes, Remez, & Rubin, 1997), the significant contribution  
140 of these cues in multiple aspects from establishing robust and effective spoken communications to  
141 differential diagnosis of individuals with disordered voice quality is indisputable.

#### 142 **D. Talkers' voice quality through CIs**

143 While listeners with NH have access to acoustic information related to talkers' voice quality, it is  
144 yet unknown how users of cochlear implants may be at disadvantage in receiving this information  
145 due to limited spectral resolution in CI speech processing. Cochlear implants device has enabled  
146 many individuals with severe-to-profound sensorineural hearing loss to experience a partially  
147 restored hearing and develop language. However, due to the limited spectral bands in the vocoding  
148 process imposed by CI speech processing, listeners with CIs have partial access to fine-grained  
149 acoustic information in speech (Cleary, Pisoni, & Kirk, 2005; Houston, Pisoni, Kirk, Ying, &  
150 Miyamoto, 2003; Houston et al., 2012; Svirsky, 2017). Lack of access to these fine-grained  
151 acoustic cues such as pitch and low-frequency voice harmonics (Chatterjee & Peng, 2008;  
152 Deroche, Kulkarni, Christensen, Limb, & Chatterjee, 2016; Fu, Chinchilla, & Galvin, 2004;  
153 Gaudrain & Baskent, 2018; McDermott, 2004), as well as temporal fine structure cues from  
154 individual harmonics (Carlyon, Deeks, & McKay, 2010) may disrupt the ability of listeners with  
155 CIs to receive information contributing to signaling variations in talkers' voice quality.

Running title: Talkers' voice quality through cochlear implant

156           Listeners utilize acoustic information in snippets of talker's voice during vowel phonation  
157 to draw inferences about talkers' voice quality (e.g., Gerratt, J. Kreiman, 2016) and identity  
158 (Adams, 2009; Ladefoged & Broadbent, 1957; Purnell et al., 1999; Thomas, 2007). Acoustic  
159 information derived from sustained phonation of a vowel sound may reflect structural and  
160 functional properties of vocal folds vibrations (static and/or dynamic) and carries important  
161 information about identity and quality of talkers' voice (Ladefoged & Broadbent, 1957; Morrison  
162 & Assmann, 2012; Winn, Chatterjee, & Idsardi, 2012). For example, fundamental frequency ( $F_0$ )  
163 and low-frequency harmonic components (e.g.,  $H1-H2$ ,  $H1-A1$ ) are acoustic cues that reflect  
164 changes in the quality of talkers' voice (e.g., breathy, strained, rough, etc.), and thus contribute to  
165 recognition of talkers' identity (Chatterjee & Peng, 2008; Deroche et al., 2016; Fu et al., 2004;  
166 Gaudrain & Baskent, 2018; Gelfer & Bennett, 2013; McDermott, 2004; Van Dommelen, 1987). A  
167 similar role in talker recognition was shown for pitch dynamics (i.e., intonational patterns;  
168 Abberton & Fourcin, 1978). Chang et al., (2006) showed that the voice pitch cue in the low-  
169 frequency spectrum and the temporal envelop cues are important for segregation of the target voice  
170 from the competing voice and performing a robust recognition of speech. These acoustic cues,  
171 however, are poorly perceived by CI users due to the vocoding process in CI speech processing  
172 that involves a limited number of frequency channels (Carlyon et al., 2010; Laneau, Wouters, &  
173 Moonen, 2004). This was observed in prelingually deafened children with CIs who showed poorer  
174 performance compared to their NH peers in distinguishing between talkers with similar voices  
175 (Cleary & Pisoni, 2002). Low-numbered resolved harmonics are not faithfully transmitted via CI  
176 device, which negatively affects the performance of CI users in speaker identification and  
177 recognition (Gaudrain & Baskent, 2018), perception of prosodic information (Davidson, Geers,  
178 Uchanski, & Firszt, 2019; Deroche et al., 2016), and speech understanding in multi-talker



Running title: Talkers' voice quality through cochlear implant

179 conditions (Rosen, Souza, Ekelund, & Majeed, 2013; Stickney, Zeng, Litovsky, & Assmann,  
180 2004). Taken together, these prior findings indicate that some aspects of voice quality cues may  
181 be degraded through CI processing. Such findings may represent a combination of altered input at  
182 peripheral and central auditory pathways for sound and language processing. We currently have  
183 limited evidence about how CI speech processing may be detrimental to acoustic information  
184 relevant to talkers' voice quality variations. Degradation of this information potentially disrupts  
185 the bridge between recognizing talkers' voice and effective processing of their speech.

## 186 **E. Present study**

187 The present study analyzed voices from two groups of talkers with normal and disordered voice  
188 qualities to investigate the effect of simulated cochlear-implant speech processing and the number  
189 of spectral channels on the acoustic information involved in distinguishing between these two  
190 classes of voice qualities. Noise-vocoder was used to simulate the limited resolution of CIs in  
191 representation of acoustic information relevant to voice quality distinction. Voices spoken by  
192 individuals with voice disorders (e.g., vocal fold polyps, nodules, etc.) represent an instance where  
193 voice quality is abnormally altered compared to the voice of individuals with healthy vocal folds  
194 function (Arjmandi & Pooyan, 2012; Arjmandi, Pooyan, Mikaili, Vali, & Moqarehzadeh, 2011;  
195 Ghasemzadeh & Arjmandi, 2019; Umapathy, Krishnan, Parsa, & Jamieson, 2005). Abnormal  
196 physiological, neurological, and/or functional changes in vocal folds affect talkers' voice quality,  
197 which in turn would be reflected as certain variations in the properties of talkers' voice spectrum  
198 (Arjmandi & Pooyan, 2012; Behroozmand & Almasganj, 2007; Eskenazi et al., 1990; Fukazawa,  
199 el-Assuooty, & Honjo, 1988; Hammarberg, Fritzell, Gaufin, Sundberg & Wedin, 1980; Hanson,  
200 1997; Klatt & Klatt, 1990; Kreiman, Gerratt, & Berke, 1994; Kreiman, Gerratt, & Precoda, 1990;  
201 Krom, 1995; O'Leidhin & Murphy, 2005; Sasaki & Okamura, 1984; Yumoto, Gould, & Baer,

Running title: Talkers' voice quality through cochlear implant

202 1982). These abnormalities, that signal the distinction between disordered and normal voice  
203 qualities, generally appear as time-varying noise-like patterns in different ranges of low-, mid- and  
204 high-frequency bands of voiced signals (e.g., Arjmandi & Pooyan, 2012; Behroozmand &  
205 Almasganj, 2007; Fukazawa, el-Assuooty, & Honjo, 1988; Hammarberg, Fritzell, Gaufin,  
206 Sundberg, & Wedin, 1980; Hanson, 1997; Klatt & Klatt, 1990; O'Leidhin & Murphy, 2005; Sasaki  
207 & Okamura, 1984; Yumoto, Gould, & Baer, 1982). Spectral changes in the vowel spectrum have  
208 shown to be important in monitoring variations in talkers' voice quality such as breathiness,  
209 laryngealization, harshness, and nasality (Gerratt, Kreiman, 2016; Coleman, 1971; Klatt & Klatt,  
210 1990; Park et al., 2016). In the present study, we investigated the variations in the magnitude  
211 spectrum of normal and disordered voices to understand how CI speech processing may impact  
212 the distinctive patterns of the voice quality. We further quantified the acoustic distance between  
213 normal and disordered voices as a function of the number of spectral channels to study the effect  
214 of the number of spectral channels on the degradation of voice quality information.

## 215 **II. MATERIALS**

### 216 **A. Voice samples**

217 The voice samples in this study were sustained vowel sounds /a/ from the voice disorders database  
218 model 4337, version 1.03 (Kay Elemetrics Corporation, Lincoln Park, NJ), developed by  
219 Massachusetts Eye and Ear Infirmary (MEEI), Voice and Speech Lab. Two groups of participants  
220 who were diagnosed as having either normal or disordered voices, were asked to sustain the vowel  
221 /a/ while their voices were recorded at a sampling frequency of 44.1 kHz with 16-bit resolution.  
222 All the analyzed voice segments were 1-second long, extracted from the middle of each excerpt to  
223 deal with the length difference between normal and disordered voice samples, as well as the  
224 transient patterns during the onset and offset of phonations. The vowel sounds from 293

Running title: Talkers' voice quality through cochlear implant

225 individuals were analyzed where 53 talkers had normal voice quality (21 Males) and the remaining  
226 240 talkers (96 Males) were diagnosed with one or multiple voice disorders. The voice disorders  
227 were the result of abnormal physiological, neurological, and/or functional changes that affected  
228 the regular function of talkers' vocal folds.

## 229 **B. Creation of noise-vocoded voice samples**

230 The CI-simulated versions of the unprocessed voice stimuli were created using a noise-excited  
231 envelope vocoder in AngelSim™ Cochlear Implant and Hearing Loss Simulator (Fu, 2019; Emily  
232 Shannon Fu Foundation, [www.tigerspeech.com](http://www.tigerspeech.com)), which follows the CI-simulated vocoding  
233 process in prior studies (Shannon, Zeng, Kamath, Wygonski, & Ekelid, 1995). The process  
234 involved dividing each voice spectrum into a variable number of logarithmically-spaced frequency  
235 bands between absolute lower and higher-frequency of 200 Hz and 7000 Hz (24 dB/Octave  
236 analysis filter slopes), corresponding to the frequency-place map simulated by Greenwood  
237 function (Greenwood, 1990). These frequency limits approximate the corner frequencies in the  
238 Cochlear Nucleus speech processors (Crew & Galvin, 2012; Winn & Litovsky, 2015). The  
239 amplitude envelope of each signal, obtained from filtering the voice spectrum under each sub-  
240 band, was captured using half-wave rectification and a low-pass filter with a cut-off frequency of  
241 160 Hz and filter slope of 24 dB/oct to simulate the performance of the average CI listeners in  
242 envelope discrimination (Chatterjee & Oberzut, 2011; Chatterjee & Peng, 2008). The extracted  
243 amplitude envelopes were then used to modulate band-pass filtered white-noise carrier signals,  
244 which were filtered using a similar analysis filter. The final noise-vocoded version of each voice  
245 stimulus was created by summing amplitude-modulated signals. This process replaces fine  
246 spectro-temporal structures in voice signal with noise while preserving most of the course-grained  
247 temporal structures. The quality of CI-simulated voice is a function of the number of spectral

Running title: Talkers' voice quality through cochlear implant

248 channels in the vocoder (e.g., Friesen, Shannon, Baskent, & Wang, 2001; Xu, Thompson, &  
249 Pfingst, 2005). The noise-excited envelope vocoder was used in *AngelSim* software to process  
250 unprocessed/natural voices and create their noise-vocoded versions with 4-, 8-, 12-, 16-, 22-, and  
251 32-channel. Therefore, the simulated cochlear implant voices were created with seven levels of  
252 spectral degradation (unprocessed, 4-, 8-, 12-, 16-, 22-, and 32-channels). The choice of the  
253 number of spectral channels was made to simulate a wide range of spectral degradation and their  
254 corresponding perceived difficulty in speech processed through CIs (Shannon, Fu, & Galvin,  
255 2004), as well as to cover the current set-up of between 12-24 active channels in cochlear implant  
256 devices. Considering the assumption made about the relationship between electrical spread in the  
257 cochlea and acoustical filter slope (Bingabr, Espinoza-Varas, & Loizou, 2008; Oxenham & Kreft,  
258 2014), the selected filter slope of 24 dB/Oct is in the highest range of steepness provided by current  
259 CI technology (filter slope varies between 8 and 24 dB/oct), corresponding to the minimum  
260 channel interaction available in the current CI devices.

### 261 **III. METHODS**

#### 262 **A. Analysis of voice spectra**

263 We first explored the average spectra of two groups of normal and disordered voice quality to  
264 understand how noise-vocoder and the number of spectral channels affect the distinctive features  
265 of two classes of voice qualities within different frequency regions. The average spectrum of voice  
266 signals derived over the spectrum of all voice samples from each class of voice quality (i.e., normal  
267 or disordered) were estimated using linear predictive coding (LPC) with 12<sup>th</sup> order (Rabiner &  
268 Schafer, 1978). These average spectra were comparatively used to investigate how the distribution  
269 of energy of the voice signal is changed over various frequency regions due to CI noise vocoding  
270 process. In fact, the variations in the characteristics of the average voice spectra were investigated

Running title: Talkers' voice quality through cochlear implant

271 under seven levels of spectral degradations (unprocessed, 32, 22, 16, 12, 8, and 4-channels noise  
272 vocoder) to identify how CI filtering process affects the acoustic information signaling distinction  
273 between two classes of normal and disordered voice quality.

274 **B. Using MFCC features to characterize acoustic information relevant to voice quality**  
275 **variation**

276 We used mel-frequency cepstral coefficients (MFCCs) to characterize variations in voice quality  
277 for normal and disordered voices and their corresponding CI-simulated versions. The CI-simulated  
278 voices were created at 6 levels of spectral degradations (i.e., number of spectral channels). These  
279 features were inspired by human auditory processing and were originally developed to  
280 approximate the filtering structure and frequency resolution of the human auditory system (Fant,  
281 1973; Hunt, Lennig, & Mermelestein, 1980; Davis and Mermelstein, 1980; Shaneh & Taheri, 2009;  
282 Stevens, Volkman, & Newman, 1937). These acoustic features have been effective in  
283 representation of the variations in voice quality, particularly in discrimination between normal and  
284 disordered voices (Ali, Alsulaiman, Muhammad, Elamvazuthi, & Mesallam, 2013; Dibazar,  
285 Narayanad, & Berger, 2002; Firdos & Umarani, 2016; Godino-Llorente, Gomez-Vilda, & Blanco-  
286 Velasco, 2006; Panek, Skalski, Gajda, & Tadeusiewicz, 2015). Furthermore, features that are  
287 developed based on speech production behaviors such as  $F_0$  and the first and second harmonics  
288 ( $H1$  and  $H2$ ) are either heavily degraded or even absent in the CI-simulated voices. Using MFCC  
289 features, we were able to deal with such methodological challenges.

290 Fig. 1A shows the schematic of the approach for calculating MFCCs for samples of normal  
291 and disordered voices. To calculate MFCCs, each vowel stimulus /a/ (i.e.,  $S_{n_i}$  or  $S_{d_j}$ ) was first  
292 segmented into frames of 30 ms with a frame shift of 15 ms. Here the  $i$  and  $j$  indicate the index of  
293 voice stimuli for normal and disordered voices, respectively ( $i = \{1,2,3, \dots,53\}$  and  $j = \{1,2,3,$

Running title: Talkers' voice quality through cochlear implant

294 ...,240}). A Hamming window was then applied to each frame to decrease the effect of sidelobes  
295 for better frequency-selective analysis (Rabiner & Schafer, 1978). The power spectrum of each  
296 frame was calculated based on Fast Fourier transform (FFT) analysis. Then, the mel-filterbank  
297 were generated and applied to the voice power spectrum. MFCCs were eventually derived by  
298 calculating the DCT of the logarithm of all filterbank energies (Rabiner & Schafer, 1978).  
299 Eventually, the first twelve components were preserved as MFCC features for each frame of a  
300 voice stimulus (i.e.,  $MFCCs_{n_i}$  or  $MFCCs_{d_j}$ ). Each voice stimulus was eventually represented by an  
301 MFCC matrix with the size of  $F \times 12$ , where  $F$  indicates the number of frames in each voice  
302 stimulus. The same procedure was performed to calculate MFCC matrices for CI-simulated  
303 versions of natural/unprocessed normal and disordered voices, as shown by dashed lines in Fig.  
304 1A.

305 >>>>>>>>>Fig. 1 about here <<<<<<<<<<

### 306 C. Acoustic distance quantification using Mahalanobis distance measure

307 To examine the acoustic distance between two classes of normal and disordered voices as a  
308 function of the level of spectral degradation (imposed by the variable number of spectral channels  
309 in the CI-simulated voices), we calculated *Mahalanobis distance* (MD) on MFCC features. MD is  
310 a distance measure, which calculates the distance between two or more classes at a  
311 multidimensional feature space (Arjmandi et al., 2018; Maesschalck & Massart, 2000; Masnan et  
312 al., 2015; Xiang, Nie, & Zhang, 2008). This multivariate statistical approach uses two feature  
313 matrices (or vectors) from two separate classes to evaluate the extent that the two classes are  
314 distinguished, after sphering the distance matrix between two classes using the average covariance  
315 matrix of the per-class centered data (Maesschalck & Massart, 2000; Masnan et al., 2015). Hence,  
316 a relatively greater MD value for a condition (e.g., unprocessed) means a relatively larger distance

Running title: Talkers' voice quality through cochlear implant

317 between two classes of normal and disordered voice qualities with a relatively lower between-class  
318 overlap for that condition compared to other conditions (e.g., 32-channel noise-vocoded voice). A  
319 relatively larger distance indicates the presence of more discriminative acoustic information  
320 relevant to the distinction between two classes of voice qualities for a condition compared to other  
321 conditions.

322 As shown in Fig. 1B, the acoustic properties of each voice stimulus (i.e.,  $S_{n_i}$  or  $S_{d_j}$ ) were  
323 characterized by a single, time-averaged MFCC vector (i.e.,  $\mu_{MFCCs_{n_i}}$  or  $\mu_{MFCCs_{d_j}}$ ), derived by  
324 averaging MFCCs across frames of each voice stimulus. These time-averaged MFCC features have  
325 been shown to successfully represent the unique spectral characteristics of a sound (Mckinney &  
326 Breebaart, 2003; Davis and Mermelstein, 1980; Terasawa, Slaney, & Berger, 2005). Therefore, 53  
327 normal voices were presented by 53 12-dimensional average MFCC vectors, constructing a 53×12  
328 feature matrix. Likewise, 240 disordered voices were characterized by 240 12-dimensional average  
329 MFCC vectors, leading to a 240×12 feature matrix. The acoustic distance between normal and  
330 disordered voices was eventually measured by calculating MD between these two matrices of  
331 MFCCs (Fig. 1B). The same procedure was followed for simulated versions of the unprocessed  
332 normal and the unprocessed disordered voice stimuli (dashed lines in Fig. 1B), leading to seven  
333 values of MD corresponding to seven levels of spectral degradation from the unprocessed to 4-  
334 channel noise-vocoded voices. The calculated MDs of seven levels of spectral degradation were  
335 comparatively examined to identify the extent to which the spectral information involved in  
336 distinguishing voices with normal and disordered qualities were affected by CI noise vocoding, as  
337 well as the number of channels in the CI noise-vocoding process.

Running title: Talkers' voice quality through cochlear implant

338 **D. Acoustic distance quantification based on the classification accuracy of support vector**  
339 **machines (SVMs)**

340 SVMs have been frequently used as a successful classification method for various classification  
341 purposes, including classification of normal and disordered voice qualities (Akbari & Arjmandi,  
342 2015; Arjmandi et al., 2011; Ghasemzadeh, Khass, Arjmandi, & Pooyan, 2015; Ghasemzadeh &  
343 Arjmandi, 2019; Arjmandi, Pooyan, Mohammadnejad, & Vali, 2010; Umapathy, Rachel, &  
344 Thulasi, 2018). An application of SVM classifier is the evaluation of features in distinguishing  
345 between two classes, where the classification accuracy of SVMs classifier is used as a criterion for  
346 feature evaluation (Heijden, Ferdinand, Ridder, & Tax, 2005). We took advantage of this property  
347 of SVM to examine the effect of CI speech processing and the number of channels on the acoustic  
348 distinctiveness between two classes of normal and disordered voices as a complementary analysis  
349 to MD. Higher classification accuracy between two classes indicates that there was more  
350 distinctive acoustic information with respect to class separation.

351 As illustrated in Figure 1C, a 5-fold cross-validation analysis was performed to train and  
352 then test an SVM classifier on its classification accuracy in distinguishing between normal and  
353 disordered voice qualities at seven levels of spectral degradation (unprocessed, 32-, 22-, 16-, 12-,  
354 8-, and 4-channel). Two feature matrices of 53x12 and 240x12 MFCC features from normal and  
355 disordered classes were entered into the SVM classifier to be used in training and testing phases  
356 as executed through the 5-fold cross-validation procedure (Kohavi, 1995; Reilly, Moran, & Lacy,  
357 2004). The output of the SVM classifier was the mean SVM classification accuracy over  
358 classification accuracies, obtained from five repetitions of cross-validation. The average  
359 classification accuracies at six levels of spectral degradation were examined with reference to that  
360 of the unprocessed condition (as baseline performance) to understand the extent of degradation



Running title: Talkers' voice quality through cochlear implant

361 imposed by CI noise vocoding on acoustic information involved in voice quality distinction. The  
362 radial basis function (RBF) kernel was used in SVM classifier. The parameters of RBF kernel and  
363 the regularization parameter ( $\xi$ ) of SVM were set to their default values in *Matlab*. Compared to  
364 MD, the training phase in SVM allowed us to simulate the effect of exposure to voice samples  
365 from two classes of voice qualities in their acoustic distinction in a computational fashion. The  
366 training phase in SVM is expected to benefit from seen data in a supervised fashion to associate  
367 degraded patterns in CI-simulated voices to their corresponding class of voice quality (i.e., normal  
368 or disordered). This effect is basically very important in listeners with CIs as studies have shown  
369 that the central auditory system plays a significant role in decoding the degraded acoustic patterns  
370 at the outputs of CI electrodes in CI users (Basura, Hu, Juan, Tessier, & Kovelman, 2018; Fallon,  
371 Irvine, & Shepherd, 2008; Houston et al., 2012).

## 372 **IV. RESULTS**

### 373 **A. Effects of CI noise vocoding on spectral information relevant to voice quality distinction**

374 We first examined the vowel /a/ spectra from normal and disordered voices under seven spectral  
375 degradation conditions. Fig. 2 shows the average magnitude spectra of the two groups of voices  
376 with normal (blue or dark gray) and disordered (orange or light gray) qualities across all voice  
377 samples. The standard deviations of magnitude spectra are also shown as a shaded area across the  
378 average lines. The average voice spectra are selectively shown for unprocessed/natural (panel A)  
379 and simulated cochlear implant voices with 16- (panel B) and 4-channel (panel C) spectral  
380 resolution. These spectra are computed by averaging individual frequency spectrum over all voice  
381 samples from a class of voice quality. Overall, these plots demonstrate the detrimental effect of CI  
382 noise vocoding process on spectral information that could signal differences in talkers' voice  
383 quality. The patterns of variation in average spectral energy of disordered voices compared to

Running title: Talkers' voice quality through cochlear implant

384 normal voices at different frequency sub-bands reflect voice quality variations, caused by a wide  
385 range of physiological, neurological, and/or functional voice disorders.

386         The difference between the average magnitude spectrum for normal voices (the blue or  
387 dark gray line) and that of disordered voices (the orange or light gray line) in Fig. 1A reveals  
388 distinctive patterns of spectral energy within low-, mid-, and high-frequency regions. For  
389 unprocessed/natural condition, a peak in the frequency regions between 1 and 2 kHz distinguishes  
390 average spectrum of voices with normal quality from the average spectrum of disordered voices.  
391 These degraded low-frequency patterns in the disordered voice spectrum may be signs of partial  
392 closure of vocal folds. These differences in the spectral level in frequency bands covering the first  
393 formant (*e.g.*, breakdown in formant structure) can be associated with breathy voice quality  
394 reported in some voice disorders (Kitzing & Åkerlund, 1993; Krom, 1995; Rontal, Rontal, &  
395 Rolnick, 1975; Thomas, 2008; Wolfe & Bacon, 1971). The relative reduction in low-numbered  
396 harmonic components is also visible in low-frequency regions which is due probably to irregular  
397 vibratory patterns of vocal folds and hoarse voices in disordered voice quality (Fex, Fex,  
398 Shiromoto, & Hirano, 1994; Roy & Leeper, 1993; Thomas, 2008; Yanagihara, 1967). A relatively  
399 higher level of energy in mid-frequency bands (~4.7 KHz-12.4 kHz) is evident in the average  
400 spectrum of disordered voice qualities compared to that of the normal group, which potentially  
401 signals the presence of high degree of breathiness in disordered voice samples and an increase in  
402 the level of the turbulence noise components in the vocal excitation signal (Askenfelt &  
403 Hammarberg, 1986; Fukazawa et al., 1988; Hanson, 1997; O'Leidhin & Murphy, 2005). The  
404 presence of a wide-band noise in this frequency region (*i.e.*, between ~ 5 kHz and ~12 kHz) in the  
405 average spectrum of disordered voices may be attributed to a rough voice quality in disordered  
406 voices (Krom, 1995). Finally, the higher degree of variability in voice spectrum across the average

Running title: Talkers' voice quality through cochlear implant

407 spectrum in disordered class (the wider orange (light gray) shaded area) compared to the one for  
408 normal voice quality (blue (dark gray) shaded area) can be attributed to variable levels of  
409 abnormality in vocal folds vibrations in disordered voices, as well as the variety of the analyzed  
410 voice disorders.

411 More importantly, comparing the average spectrum of two groups of voices with normal  
412 and disordered qualities among three levels of spectral degradation in Fig. 2 (unprocessed in panel  
413 (A), 16-channel in panel (B), and 22-channel in panel (C)) demonstrates that CI noise vocoding  
414 substantially degrades acoustic information involved in voice quality distinction. In general, the  
415 noise vocoding process in CI speech processing caused major loss of acoustic information  
416 distinctive of talkers' voice quality at low-, mid-, and high-frequency ranges of their voice spectra.  
417 The detrimental effect of CI noise-vocoder increases as the number of channels decreases to the  
418 extent that spectra of two classes of voice qualities become almost visually indistinguishable at 4-  
419 channel CI-simulated voices, highlighting the substantially detrimental effect of low spectral  
420 resolution in CI speech processing on discarding voice quality-related acoustic information. As the  
421 spectra of normal and disordered voices for 16- and 4-channel noise-vocoded voices suggest, a  
422 large portion of spectral information at low frequency regions is discarded due to the filtering  
423 process in CI. This spectral region is particularly important for the perception of voice quality  
424 variations as it is where the low-numbered harmonics are located. CI listeners do not have access  
425 to low-numbered resolved harmonics, which are important for robust pitch perception (Bernstein  
426 & Oxenham, 2003; Smurzynski, 1990). The noise level elevated in the mid-frequency band as the  
427 number of spectral channels decreases in the CI-simulated voices, likely leading to lack of access  
428 to acoustic cues relevant to variations in talkers' voice quality in listeners with CIs.

429 >>>>>>>>> **Fig. 2 about here** <<<<<<<<<<

Running title: Talkers' voice quality through cochlear implant

430 **B. Effects of CI noise vocoding on acoustic information distinctive of talkers' voice quality**

431 As discussed in the Method section, MFCCs for each voice stimulus were calculated to  
432 characterize talkers' voice quality and measure the effect of CI noise-vocoding on acoustic  
433 information relevant to voice quality distinction. Fig. 3 illustrates an example of the filterbank of  
434 mel-spaced triangular filters through which voice spectrum of each normal or disordered voice  
435 was passed to characterize the energy variations at different frequency sub-bands.

436 >>>>>>>>Fig. 3 about here <<<<<<<<<

437 Fig. 4 shows the calculated *Mahalanobis distance* between MFCCs of normal and  
438 disordered voices as a function of different levels of spectral degradation, corresponding to change  
439 in the number of spectral channels in CI-simulated voices. This figure illustrates that the acoustic  
440 distance between voices with normal and disordered qualities decreased due to the CI noise  
441 vocoding process, suggesting that CI speech processing is detrimental to voice quality-related  
442 acoustic information. On average, there was an approximately 33% decline in MD due to CI noise-  
443 vocoding process when comparing the MD at unprocessed condition (the top dashed line in Fig.  
444 4) with the average MD derived across six levels of spectral degradation (the middle dotted line in  
445 Fig. 4). This large decline in acoustic distance between normal and disordered voice qualities  
446 suggests that the CI noise-vocoder potentially discards an important portion of acoustic  
447 information responsible for signaling variation in talkers' voice qualities. An unexpected pattern  
448 was the increase in MD as the number of spectral channels decreased from 32 channels to 22, 16,  
449 and 12 channels. Our visual investigation of normal and disordered voice spectra showed that noise  
450 vocoding interestingly resulted in more distinctive patterns of spectral energy between normal and  
451 disordered voice qualities as the number of spectral channels changed from 32 to 12 channels. This  
452 pattern was particularly noticeable in low frequency regions where mel-filterbank is more sensitive

Running title: Talkers' voice quality through cochlear implant

453 to variations in voice spectrum because of its narrower filters, as compared with high-frequency  
454 regions with wider filters (see Fig. 3). This unexpected pattern suggests that increasing spectral  
455 channels in CI noise-vocoder does not necessarily mitigate the information loss relevant to voice  
456 quality distinction. The range of decrease in acoustic distance (i.e., MD) due to noise vocoding  
457 relative to acoustic distance in the unprocessed condition was between ~64% for 4-channel CI-  
458 simulated voices and ~19% for 12-channel CI-simulated voice, which was still relatively high.

459 >>>>>>>>>**Fig. 4 about here**<<<<<<<<<<

460 Fig. 5 shows the results of normal-vs-disordered SVM classification accuracy for seven  
461 levels of spectral resolution from the unprocessed condition to the highly spectrally-degraded CI-  
462 simulated voices created by 4-channel noise-vocoder. Results from SVM classification supports  
463 the general trend displayed by MD on the effect of cochlear implant speech processing on acoustic  
464 information involved in normal-vs-disordered voice distinction. However, there was an  
465 approximately 8% decline in the accuracy of SVM in classification of normal and disordered voice  
466 qualities between the unprocessed condition and the average accuracy obtained across six levels  
467 of spectral degradation. This decline is much smaller than the ~33% decline measured by MD,  
468 which potentially highlights the key role of classifier exposure to seen data during training phase.  
469 Classification accuracy in Fig. 5 shows three categories of performance between 80-85%, 85-90%,  
470 and 90-95%. These simulated results suggest that the current CI technology falls within the second  
471 category in terms of the number of spectral channels (12 channels in MED-EL devices, 16 channels  
472 in Advanced Bionics devices, and 22 channels in Cochlear), where the classification accuracy is  
473 still at least 5% below the one for the unprocessed condition. It is notable that classification  
474 accuracies for CI-simulated conditions fall within a good performance range (80% to 90%), even  
475 for a highly degraded CI-simulated voice with 4 spectral channels. We speculate that this

Running title: Talkers' voice quality through cochlear implant

476 difference between SVM and *Mahalanobis distance* in measuring voice quality-related acoustic  
477 distinction is because of the exposure phenomenon simulated by SVM as being trained on a subset  
478 of data in a supervised fashion. Another explanation could be related to the calculation of MD,  
479 which assumes that features have multivariate normal distribution, which might not be necessarily  
480 valid for the MFCC features in this study.

481 >>>>>>>Fig. 5 about here <<<<<<<<

## 482 V. DISCUSSION

483 This study investigated how CI speech processing affects acoustic information involved in  
484 signaling variations in talkers' voice quality. We analyzed vowel sounds /a/ spoken by 53 talkers  
485 with normal voice and 240 talkers with disordered voice qualities at seven levels of spectral  
486 degradation, simulated by CI noise-excited envelope vocoder, to examine the effect of CI speech  
487 processing on acoustic information that distinguishes talkers' voice quality. To our knowledge,  
488 this is the first study that examines the effect of CI speech processing on acoustic information  
489 involved in conveying variations in talkers' voice qualities. Overall, the results of the current study  
490 highlighted the detrimental effect of CI noise vocoding process on acoustic information that signals  
491 voice quality contrast. This unfaithful transmission of acoustic information relevant to voice  
492 quality distinction through CIs may negatively impact the performance of CI listeners in  
493 identification and recognition of talkers' voice and, thus comprehension of their speech.

494 Our investigation of vowel /a/ spectra within different frequency sub-bands across two  
495 groups of normal and disordered voice qualities showed that simulated CI processing, based on a  
496 noise-vocoder, has a detrimental impact on acoustic information signaling changes in talkers'  
497 voice quality. The CI noise-vocoder processing substantially degraded spectral information in low-  
498 (<2 kHz), mid- (~4-12 kHz), and high-frequency ranges (>12 kHz) that could contribute to voice

Running title: Talkers' voice quality through cochlear implant

499 quality distinction. The discriminative spectral information under these frequency regions signals  
500 various degrees of distinctive acoustic information that listeners may utilize to perceive fine  
501 variations in talkers' voice quality (Eskenazi et al., 1990; Hillenbrand, Cleveland, & Erickson,  
502 1994; Moisik, 2013; Park et al., 2016; Podesva, 2007; Sicoli, 2010). Our results suggest that CI  
503 speech processing substantially degrades this distinctive spectral information, likely leading to a  
504 degraded perception of talkers' voice quality variations. These patterns of loss in voice quality-  
505 related information due to CI voice processing suggest that listeners with CIs potentially do not  
506 receive a large portion of acoustic information signaling changes in talkers' voice quality due to  
507 the partial transformation of fine-grained spectral structures.

508         We further measured the spectral distance between voices with normal and disordered  
509 qualities by first characterizing their vowels' spectral variations using MFCC features and then  
510 calculating the distance between MFCC features using MD. The MDs between normal and  
511 disordered vowel sounds were examined at different levels of spectral degradation (i.e.,  
512 unprocessed, 32, 22, 16, 12, 8, and 4-channel CI noise-vocoder processing) to identify how  
513 simulated CI speech processing affects the acoustic distance between voices with normal and  
514 disordered qualities. We further examined this effect as a function of the number of spectral  
515 channels in the noise-vocoder. The results showed a large decrease in acoustic distance between  
516 normal and disordered voice qualities because of CI speech processing, highlighting the loss of  
517 acoustic information related to talkers' voice quality through CI. Therefore, listeners with CIs  
518 potentially face difficulties compared to listeners with NH in incorporating talkers' voice quality  
519 information to construct the corresponding mental representation for identification and recognition  
520 of talkers' voice and processing their speech.

Running title: Talkers' voice quality through cochlear implant

521           The results of SVM accuracy in classification between normal and disordered voice  
522 qualities corroborated the detrimental effect of CI noise vocoding on acoustic information involved  
523 in voice quality distinction. However, the CI noise-vocoder processing and the number of channels  
524 in the CI noise-vocoder resulted in lower degrees of drop based on SVM classification compared  
525 to the amount of decline quantified by MD. These results also simulated the effect of  
526 exposure/learning in making sense of the degraded voice signals for voice quality distinction. The  
527 results of SVM classification, as executed through 5-fold cross-validation procedure, suggested a  
528 good performance of higher than 80%, even in the highly degraded condition of 4 spectral  
529 channels. The average drop of ~ 7% in normal-vs-disordered voice classification between  
530 unprocessed and CI-simulated conditions highlights the detrimental effect of CI speech processing  
531 to acoustic information relevant to recognition of talkers' voice.

532           These results can be interpreted in the context of perception of voice cues involved in talker  
533 recognition, as well as speech processing. The observed lack of faithful transmission of acoustic  
534 information, that is more or less related to various perceptual attributes of voice quality (e.g.,  
535 breathiness, harshness, creakiness, and nasality), suggests that CI listeners may perform poorer  
536 than their peers with NH in processing segmental and suprasegmental information for speech  
537 comprehension (Dicanio, 2009; Dilley et al., 1996; Dilley et al., 2016; Garellek & Keating, 2011;  
538 Gordon, 2001; Gordon & Ladefoged, 2001; Henton, 1986; Ogden, 2001; Redi & Shattuck-  
539 Hufnagel, 2001), as well as in recognition of talkers' gender (Gussenhoven, 2004; Ohala, 1983;  
540 Puts, Hodges, Cárdenas, & Gaulin, 2007), race (Alim, 2004; Irwin, 1977; Moisik, 2013; Thomas  
541 & Reaser, 2004) and social and cultural class (Esling, 1978; Rilliard et al., 2009; Sicoli, 2007;  
542 Stross, 2013; Stuart-Smith, 1999). Our investigation of normal and disordered voice qualities  
543 suggests that CI noise vocoding substantially degrades spectral properties signaling voice quality



Running title: Talkers' voice quality through cochlear implant

544 variations (Dicanio, 2009; Garellek & Keating, 2011), which probably negatively impact CI  
545 listeners' access and learning talker-specific information as an important skill for robust speech  
546 recognition (Johnson, 2005; Kleinschmidt & Jaeger, 2015; Pisoni, 1992). Results from prior  
547 studies demonstrated that listeners with CIs do not have access to low-numbered harmonics for  
548 robust perception of  $F_0$ , leading to poor performance in talker identification and discrimination  
549 (Gaudrain & Baskent, 2018), prosody perception elicited by dynamic pitch (Deroche et al., 2016),  
550 and speech recognition in complex listening conditions such as multi-talker situations (Rosen et  
551 al., 2013; Stickney, Assmann, Chang, & Zeng, 2007; Stickney et al., 2004). In addition, listeners  
552 with NH may incorporate other cues such as vocal-tract length (VTL) and formant frequencies in  
553 constructing talkers' voice quality to distinguish between talkers, cues that are poorly perceived  
554 by listeners with CIs (Gaudrain & Baskent, 2018). Our results provide further evidence in  
555 explaining the poor performance of listeners with CIs in perception and effective use of talkers'  
556 voice cues (Başkent, Luckmann, Ceha, Gaudrain, & Tamati, 2018; Gaudrain & Baskent, 2018;  
557 Mehta, Lu, & Oxenham, 2020; Mehta & Oxenham, 2017; Moore & Carlyon, 2005; Stickney et al.,  
558 2007) by showing that an important portion of this acoustic information is discarded by cochlear  
559 implant speech processing.

560         There are multiple limitations in the current CI devices including the number of channels  
561 in the vocoder, which restricts spectral and temporal resolution of CI devices in representation of  
562 speech. Our results highlight the need for improving CI speech processing strategies to assure that  
563 acoustic cues related to voice quality are faithfully transferred through CIs. Developing more  
564 effective strategies requires researchers to evaluate the mechanisms underlying encoding spectral  
565 and temporal cues responsible for representing voice quality measures. Therefore, further studies  
566 are required to understand how listeners with CIs perceive acoustic cues related to voice quality

Running title: Talkers' voice quality through cochlear implant

567 variations and how possible loss of information at this level may impact their ability to identify  
568 talkers and process their speech. Tamati et al., (2017) found that listeners with CIs perform poorer  
569 than their NH peers in speech recognition when there is large talker variability. They also showed  
570 that CI users experience difficulties in the recognition of talkers' voices and accents while their  
571 performance were also largely variable compared to listeners with NH. Results from the present  
572 study provide further evidence that listeners with CIs may not have access to voice quality cues  
573 for robust identification of talkers. This lack of access to the voice quality cues may negatively  
574 impact CI listeners' ability to overcome talker variability for successful speech perception.

575         Despite the limitations of CI in robust and reliable transformation of speech, Vongpaisal et  
576 al. (2010) showed that children with CIs are able to develop models of talker identity, which may  
577 reflect the important role of neural plasticity and more powerful speech processing at higher  
578 cortical levels for auditory processing and language development. As simulated by SVM, there  
579 might be a large effect of exposure or training that can improve the performance of CI listeners in  
580 distinction between various voice qualities. In fact, this phenomenon can be logically expanded to  
581 how CI listeners may use the information in the voice delivered through CI at higher levels of  
582 speech processing and language learning to compensate for the lack of various acoustic cues such  
583 as those related to the perception of talkers' voice quality (Moore & Shannon, 2009). Speech  
584 recognition of children with CIs significantly improved as they had more experience in listening  
585 to speech through a CI device (Brown et al., 2004; Fryauf-Bertschy, Tyler, Kelsay, Gantz, &  
586 Woodworth, 1997; Miyamoto, Osberger, & Kessler, 1996; Tyler et al., 2000). Another factor that  
587 is not modeled in our study is the effect of linguistic and contextual cues in continuous speech that  
588 listeners with CIs can incorporate to infer talkers' voice quality for talker recognition and language  
589 processing. The significant effect of these cues on sentence recognition was shown in listeners

Running title: Talkers' voice quality through cochlear implant

590 with CIs (Geers, 2002; Meyer & Svirsky, 2000). Despite these contextual effects, having access  
591 to acoustic information relevant to talkers' voice quality is still critical for speech processing and  
592 language development (Başkent et al., 2018; Gaudrain & Baskent, 2018), particularly in complex  
593 listening conditions such as speech recognition in multi-talker scenarios (Rosen et al., 2013;  
594 Stickney et al., 2007, 2004).

595         The present study had some limitations that should be considered while interpreting the  
596 findings. Although studies based on CI-simulated speech are advantageous in general, these  
597 findings should be viewed as the general trend rather than the actual performance of CI listeners  
598 in perception of talkers' voice quality. Furthermore, characterization of voice quality based on  
599 MFCCs features might not completely reflect the normal hearing system in perception of voice  
600 quality variations as shown by recent studies (Anand, Kopf, Shrivastav, & Eddins, 2019; Eddins,  
601 Anand, Lang, & Shrivastav, 2020). It is also worth mentioning that listeners may incorporate  
602 segmental and suprasegmental cues at word and/or sentence levels for recognition of talkers' voice  
603 quality rather than merely relying on spectral variations of vowel sounds. Regardless of these  
604 limitations, the present study provided new evidence showing that acoustic information involved  
605 in distinguishing talkers' voice quality is substantially degraded in CI-simulated voices. Our results  
606 suggest that listeners who use CIs may have great difficulties incorporating voice quality cues for  
607 talkers' voice recognition. The poor spectral resolution provided by cochlear implant device to CI  
608 listeners negatively impacts acoustic cues involved in voice quality transmission, leading to  
609 subsequent poor perception of talkers' voice quality in listeners with CIs. This degraded  
610 transmission of acoustic cues relevant to talkers' voice quality is particularly detrimental for  
611 speech processing and auditory scene analysis in prelingually deaf children who heavily rely on  
612 the bottom-up sensory information in speech to develop mental representations specific to talkers'

Running title: Talkers' voice quality through cochlear implant

613 voice. Future perceptual studies will determine which specific acoustic cues relevant to talkers'  
614 voice quality are not faithfully transmitted through cochlear implants. The findings from the  
615 current study underscore the need in two directions: (a) the need for examining the current signal  
616 processing strategies in CIs for their fidelity in passing voice quality cues and developing more  
617 advanced speech processing strategies in CI device to assure faithful transmission of these cues,  
618 and (b) the need for active use of multimodal (i.e., gesture, tactile, and visual) communicative  
619 behaviors to provide supportive cues for listeners with CIs in recognition of talkers' voice,  
620 especially in pediatric CI users.

## 621 REFERENCES

- 622 Abberton, E., & Fourcin, A. J. (1978). Intonation and speaker identification. *Language and*  
623 *Speech, 21*(4), 305–318. <https://doi.org/10.1177/002383097802100405>
- 624 Adams, C. A. (2009). *An Acoustic Phonetic Analysis of African American English : A Comparative*  
625 *Study of Two Dialects. (master's thesis)*. Eastern Michigan University, Ypsilanti, Michigan.
- 626 Akbari, A., & Arjmandi, M. K. (2015). Employing linear prediction residual signal of wavelet sub-  
627 bands in automatic detection of laryngeal pathology. *Biomedical Signal Processing and*  
628 *Control, 18*, 293–302. <https://doi.org/10.1016/j.bspc.2015.02.008>
- 629 Ali, Z., Alsulaiman, M., Muhammad, G., Elamvazuthi, I., & Mesallam, T. A. (2013). Vocal fold  
630 disorder detection based on continuous speech by using MFCC and GMM. *2013 7th IEEE*  
631 *GCC Conference and Exhibition, GCC 2013, 292–297.*  
632 <https://doi.org/10.1109/IEEEGCC.2013.6705792>
- 633 Alim, S. H. (2004). You Know My Steez: An Ethnographic and Sociolinguistic Study of  
634 Styleshifting in a Black American Speech Community. *Journal of Linguistic Anthropology,*

Running title: Talkers' voice quality through cochlear implant

- 635           17(1), 149–151. <https://doi.org/10.1525/jlin.2007.17.1.149>
- 636 Anand, S., Kopf, L. M., Shrivastav, R., & Eddins, D. A. (2019). Objective Indices of Perceived  
637           Vocal Strain. *Journal of Voice*, 33(6), 838–845. <https://doi.org/10.1016/j.jvoice.2018.06.005>
- 638 Arjmandi, M. K., Dilley, L. C., & Wagner, S. E. (2018). Investigation of Acoustic Dimension Use  
639           in Dialect Production: Machine Learning of Sonorant Sounds for Modeling Acoustic Cues of  
640           African American Dialect. *11th International Conference on Voice Physiology and*  
641           *Biomechanics*, (August), 36–37.
- 642 Arjmandi, M. K., & Pooyan, M. (2012). An optimum algorithm in pathological voice quality  
643           assessment using wavelet-packet-based features, linear discriminant analysis and support  
644           vector machine. *Biomedical Signal Processing and Control*, 7(1), 3–19.  
645           <https://doi.org/10.1016/J.BSPC.2011.03.010>
- 646 Arjmandi, M. K., Pooyan, M., Mikaili, M., Vali, M., & Moqarehzadeh, A. (2011). Identification  
647           of Voice Disorders Using Long-Time Features and Support Vector Machine With Different  
648           Feature Reduction Methods. *Journal of Voice*, 25(6), e275–e289.  
649           <https://doi.org/10.1016/J.JVOICE.2010.08.003>
- 650 Arjmandi, M. K., Pooyan, M., Mohammadnejad, H., & Vali, M. (2010). Voice disorders  
651           identification based on different feature reduction methodologies and support vector machine.  
652           *2010 18th Iranian Conference on Electrical Engineering*, 45–49.  
653           <https://doi.org/10.1109/IRANIANCEE.2010.5507106>
- 654 Askenfelt, A. G., & Hammarberg, B. (1986). (1986). Speech waveform perturbation analysis: a  
655           perceptual-acoustical comparison of seven measures. *Journal of Speech, Language, and*  
656           *Hearing Research*, 29(1), 50–64.

Running title: Talkers' voice quality through cochlear implant

- 657 Aubergé, V., & Cathiard, M. (2003). Can we hear the prosody of smile? *Speech Communication*,  
658 40(1–2), 87–97. [https://doi.org/10.1016/S0167-6393\(02\)00077-8](https://doi.org/10.1016/S0167-6393(02)00077-8)
- 659 Ball, M. J., & Code, C. (2008). *Instrumental Clinical Phonetics*. Whurr Publishers.
- 660 Başkent, D., Luckmann, A., Ceha, J., Gaudrain, E., & Tamati, T. N. (2018). The discrimination of  
661 voice cues in simulations of bimodal electro-acoustic cochlear-implant hearing. *The Journal*  
662 *of the Acoustical Society of America*, 143(4), EL292–EL297.  
663 <https://doi.org/10.1121/1.5034171>
- 664 Basura, G. J., Hu, X. S., Juan, J. S., Tessier, A. M., & Kovelman, I. (2018). Human central auditory  
665 plasticity: A review of functional near-infrared spectroscopy (fNIRS) to measure cochlear  
666 implant performance and tinnitus perception. *Laryngoscope Investigative Otolaryngology*.  
667 <https://doi.org/10.1002/lio2.185>
- 668 Behroozmand, R., & Almasganj, F. (2007). Optimal selection of wavelet-packet-based features  
669 using genetic algorithm in pathological assessment of patients' speech signal with unilateral  
670 vocal fold paralysis. *Computers in Biology and Medicine*, 37(4), 474–485.  
671 <https://doi.org/10.1016/j.combiomed.2006.08.016>
- 672 Bernstein, J. G., & Oxenham, A. J. (2003). Pitch discrimination of diotic and dichotic tone  
673 complexes: Harmonic resolvability or harmonic number? *The Journal of the Acoustical*  
674 *Society of America*, 113(6), 3323. <https://doi.org/10.1121/1.1572146>
- 675 Bingabr, M., Espinoza-Varas, B., & Loizou, P. C. (2008). Simulating the effect of spread of  
676 excitation in cochlear implants. *Hearing Research*, 241(1–2), 73–79.  
677 <https://doi.org/10.1016/j.heares.2008.04.012>

Running title: Talkers' voice quality through cochlear implant

- 678 Britt, E. (2011). Can the church say amen: Strategic uses of black preaching style at the State of  
679 the Black Union. *Language in Society*, 40(2), 211–233.  
680 <https://doi.org/10.1017/S0047404511000042>
- 681 Brown, J., Geers, A., Herrmann, B., Kirk, I., Tomblin, J. B., & Waltzman, S. (2004). Cochlear  
682 Implants. *Asha Supplement*, 1–39. <https://doi.org/10.1044/policy.TR2004-00041>
- 683 Cameron, D. (2001). Designer voices. *Critical Quarterly*, 43(4), 81–85.  
684 <https://doi.org/10.1111/1467-8705.00392>
- 685 Carlyon, R. P., Deeks, J. M., & McKay, C. M. (2010). The upper limit of temporal pitch for  
686 cochlear-implant listeners: Stimulus duration, conditioner pulses, and the number of  
687 electrodes stimulated. *The Journal of the Acoustical Society of America*, 127(3), 1469–1478.
- 688 Chang, J. E., Bai, J. Y., & Zeng, F. G. (2006). Unintelligible low-frequency sound enhances  
689 simulated cochlear-implant speech recognition in noise. *IEEE Transactions on Biomedical*  
690 *Engineering*, 53(12), 2598–2601. <https://doi.org/10.1109/TBME.2006.883793>
- 691 Chatterjee, M., & Oberzut, C. (2011). Detection and rate discrimination of amplitude modulation  
692 in electrical hearing. *The Journal of the Acoustical Society of America*, 130(3), 1567–1580.
- 693 Chatterjee, M., & Peng, S. C. (2008). Processing F0 with cochlear implants: Modulation frequency  
694 discrimination and speech intonation recognition. *Hearing Research*, 235(1–2), 143–156.
- 695 Childers, D., & Lee, C. K. (1991). Vocal quality factors: analysis, synthesis, and perception.  
696 *Journal of the Acoustical Society of America*, 90(5), 2394–2410.
- 697 Cleary, M., & Pisoni, D. (2002). Talker discrimination by prelingually deaf children with cochlear  
698 implants: preliminary results. *Annals of Otology, Rhinology & Laryngology*, 111(5\_suppl),

Running title: Talkers' voice quality through cochlear implant

699 113–118.

700 Cleary, M., Pisoni, D. B., & Kirk, K. I. (2005). Influence of Voice Similarity on Talker  
701 Discrimination in Children With Normal Hearing and Children With Cochlear Implants.  
702 *Journal of Speech Language and Hearing Research*, 48(1), 204.  
703 [https://doi.org/10.1044/1092-4388\(2005/015\)](https://doi.org/10.1044/1092-4388(2005/015))

704 Coleman, R. O. (1971). Male and Female Voice Quality and Its Relationship to Vowel Formant  
705 Frequencies. *Journal of Speech and Hearing Research*, 14(3), 565–577.

706 Creel, S. C., & Tumlin, M. A. (2011). On-line acoustic and semantic interpretation of talker  
707 information. *Journal of Memory and Language*, 65(3), 264–285.  
708 <https://doi.org/10.1016/j.jml.2011.06.005>

709 Crew, J. D., & Galvin, J. J. (2012). Channel interaction limits melodic pitch perception in  
710 simulated cochlear implants. *The Journal of the Acoustical Society of America*, 132(5),  
711 EL429–EL435.

712 Davidson, L. S., Geers, A. E., Uchanski, R. M., & Firszt, J. B. (2019). Effects of early acoustic  
713 hearing on speech perception and language for pediatric cochlear implant recipients. *Journal*  
714 *of Speech, Language, and Hearing Research*, 62(9), 3620–3637.  
715 [https://doi.org/10.1044/2019\\_JSLHR-H-18-0255](https://doi.org/10.1044/2019_JSLHR-H-18-0255)

716 DeCasper, A. J., & Fifer, W. P. (1980). Of Human Bonding: Newborns Prefer their Mothers'  
717 Voices. *American Association for the Advancement of Science*, 208(4448), 1174–1176.  
718 <https://doi.org/10.1126/science.7375928>

719 Deroche, M. L. D., Kulkarni, A. M., Christensen, J. A., Limb, C. J., & Chatterjee, M. (2016).



Running title: Talkers' voice quality through cochlear implant

- 720 Deficits in the sensitivity to pitch sweeps by school-aged children wearing cochlear implants.  
721 *Frontiers in Neuroscience*, 10(MAR), 1–15. <https://doi.org/10.3389/fnins.2016.00073>
- 722 Dibazar, A. A., Narayanad, S., & Berger, T. W. (2002). Feature Analysis for Automatic Detection  
723 of Pathological Speech. *Proceedings of EMBS*, 182–183.
- 724 Dicanoio, C. T. (2009). The phonetics of register in Takhian Thong Chong. *Journal of the*  
725 *International Phonetic Association*, 39(2), 162–188.  
726 <https://doi.org/10.1017/S0025100309003879>
- 727 Dilley, L. C., Arjmandi, M. K., Ireland, Z., Heffner, C., & Pitt, M. (2016). Glottalization, reduction,  
728 and acoustic variability in function words in American English. *The Journal of the Acoustical*  
729 *Society of America*, 140(4), 3114–3114. <https://doi.org/10.1121/1.4969743>
- 730 Dilley, L. C., Shattuck-Hufnagel, S., & Ostendorf, M. (1996). Glottalization of word-initial vowels  
731 as a function of prosodic structure. *Journal of Phonetics*, 24(4), 423–444.  
732 <https://doi.org/10.1006/jpho.1996.0023>
- 733 Dolar, M. (2006). *A voice and nothing more*. MIT press.  
734 [https://doi.org/10.1207/s15327868ms1001\\_3](https://doi.org/10.1207/s15327868ms1001_3)
- 735 Eddins, D. A., Anand, S., Lang, A., & Shrivastav, R. (2020). Developing Clinically Relevant  
736 Scales of Breathy and Rough Voice Quality. *Journal of Voice*.  
737 <https://doi.org/10.1016/j.jvoice.2019.12.021>
- 738 Eidsheim, N. (2012). Voice as Action: Toward a Model for Analyzing the Dynamic Construction  
739 of Racialized Voice. *Current Musicology*, 6(93), 9–34.
- 740 Eskenazi, L., Childers, D. G., & Hicks, D. M. (1990). Acoustic correlates of vocal quality. *Journal*

Running title: Talkers' voice quality through cochlear implant

- 741 *of Speech and Hearing Research*, 33(2), 298–306. <https://doi.org/10.1044/jshr.3302.298>
- 742 Esling, J. (1978). The identification of features of voice quality in social groups. *Journal of the*  
743 *International Phonetic Association*, 8(1–2), 18–23.  
744 <https://doi.org/10.1017/S0025100300001699>
- 745 Fallon, J. B., Irvine, D. R. F., & Shepherd, R. K. (2008). Cochlear implants and brain plasticity.  
746 *Hearing Research*, 238(1–2), 110–117. <https://doi.org/10.1016/j.heares.2007.08.004>
- 747 Fant, G. (1973). Acoustic description and classification of phonetic units. *Speech Sounds and*  
748 *Features*, 32–83.
- 749 Fex, B., Fex, S., Shiromoto, O., & Hirano, M. (1994). Acoustic analysis of functional dysphonia:  
750 Before and after voice therapy (accent method). *Journal of Voice*, 8(2), 163–167.  
751 [https://doi.org/10.1016/S0892-1997\(05\)80308-X](https://doi.org/10.1016/S0892-1997(05)80308-X)
- 752 Firdos, S., & Umarani, K. (2016). Disordered Voice Classification using SVM and Feature  
753 Selection using GA. *2016 Second International Conference on Cognitive Computing and*  
754 *Information Processing (CCIP)*, 1–6.
- 755 Friesen, L. M., Shannon, R. V., Baskent, D., & Wang, X. (2001). Speech recognition in noise as a  
756 function of the number of spectral channels: Comparison of acoustic hearing and cochlear  
757 implants. *The Journal of the Acoustical Society of America*, 110(2), 1150–1163.
- 758 Fryauf-Bertschy, H., Tyler, R. S., Kelsay, D. M., Gantz, B. J., & Woodworth, G. G. (1997).  
759 Cochlear implant use by prelingually deafened children: the influences of age at implant and  
760 length of device use. *Journal of Speech, Language, and Hearing Research*, 40(1), 183–199.  
761 <https://doi.org/10.1044/jslhr.4001.183>

Running title: Talkers' voice quality through cochlear implant

- 762 Fu, Q.-J. (2019). *AngelSim: Cochlear implant and hearing loss simulator*. [Computer program],  
763 available at [http://www.tigerspeech.com/angelsim/angelsim\\_about.html](http://www.tigerspeech.com/angelsim/angelsim_about.html)
- 764 Fu, Q.-J., Chinchilla, S., & Galvin, J. J. (2004). The role of spectral and temporal cues in voice  
765 gender discrimination by normal-hearing listeners and cochlear implant users. *Journal of the*  
766 *Association for Research in Otolaryngology*, 5(3), 253–260.
- 767 Fukazawa, T., el-Assuooty, a, & Honjo, I. (1988). A new index for evaluation of the turbulent  
768 noise in pathological voice. *The Journal of the Acoustical Society of America*, 83(3), 1189–  
769 1193. <https://doi.org/10.1121/1.396012>
- 770 Garellek, M., & Keating, P. (2011). The acoustic consequences of phonation and tone interactions  
771 in Jalapa Mazatec. *Journal of the International Phonetic Association*, 41(2), 185–205.  
772 <https://doi.org/10.1017/S0025100311000193>
- 773 Gaudrain, E., & Baskent, D. (2018). Discrimination of voice pitch and vocal-tract length in  
774 cochlear implant users. *Ear and Hearing*, 39(2), 226–237.  
775 <https://doi.org/10.1097/AUD.0000000000000480>
- 776 Geers, A. E. (2002). Factors Affecting the Development of Speech, Language, and Literacy in  
777 Children With Early Cochlear Implantation. *Language Speech and Hearing Services in*  
778 *Schools*, 33(3), 172. [https://doi.org/10.1044/0161-1461\(2002/015\)](https://doi.org/10.1044/0161-1461(2002/015))
- 779 Gelfer, M. P., & Bennett, Q. E. (2013). Speaking fundamental frequency and vowel formant  
780 frequencies: Effects on perception of gender. *Journal of Voice*, 27(5), 556–566.  
781 <https://doi.org/10.1016/j.jvoice.2012.11.008>
- 782 Gerratt, B. R., Kreiman, J., & Garellek, M. (2016). Comparing Measures of Voice Quality From

Running title: Talkers' voice quality through cochlear implant

- 783 Sustained Phonation and Continuous Speech. *American Journal of Speech-Language*  
784 *Pathology*, 59(5), 994–1001. <https://doi.org/10.1044/2016>
- 785 Ghasemzadeh, H., Khass, M. T., Arjmandi, M. K., & Pooyan, M. (2015). Detection of vocal  
786 disorders based on phase space parameters and Lyapunov spectrum. *Biomedical Signal*  
787 *Processing and Control*, 22, 135–145. <https://doi.org/10.1016/J.BSPC.2015.07.002>
- 788 Ghasemzadeh, H., & Arjmandi, M. K. (2019). Toward Optimum Quantification of Pathology-  
789 induced Noises: An Investigation of Information Missed by Human Auditory System.  
790 *IEEE/ACM Transactions on Audio, Speech, and Language Processing*, 28, 519–528.  
791 <https://doi.org/10.1109/TASLP.2019.2959222>
- 792 Godino-Llorente, J. I., Gomez-Vilda, P., & Blanco-Velasco, M. (2006). Dimensionality reduction  
793 of a pathological voice quality assessment system based on Gaussian mixture models and  
794 short-term cepstral parameters. *IEEE Transactions on Biomedical Engineering*, 53(10),  
795 1943–1953. <https://doi.org/10.1109/TBME.2006.871883>
- 796 Gordon, M. (2001). Linguistic aspects of voice quality with special reference to Athabaskan.  
797 *Proceedings of the Athabaskan Languages Conference*, 163–178.
- 798 Gordon, M., & Ladefoged, P. (2001). Phonation types: A cross-linguistic overview. *Journal of*  
799 *Phonetics*, 29(4), 383–406. <https://doi.org/10.1006/jpho.2001.0147>
- 800 Greenwood, D. D. (1990). A cochlear frequency-position function for several species—29 years  
801 later. *Journal of the Acoustical Society of America*, 87(6), 2592–2605.
- 802 Gussenhoven, C. (2004). The phonology of tone and intonation. *The Phonology of Tone and*  
803 *Intonation*, 1–355. <https://doi.org/10.1017/CBO9780511616983>

Running title: Talkers' voice quality through cochlear implant

- 804 Gussenhoven, C., & Rietveld, T. (1998). On the speaker-dependence of the perceived prominence  
805 of F0 peaks. *Journal of Phonetics*, 26(4), 371–380. <https://doi.org/10.1006/jpho.1998.0080>
- 806 Guzman, M., Correa, S., Muñoz, D., & Mayerhoff, R. (2013). Influence on spectral energy  
807 distribution of emotional expression. *Journal of Voice*, 27(1), 129.e1-129.e10.  
808 <https://doi.org/10.1016/j.jvoice.2012.08.008>
- 809 Hammarberg, B., Fritzell, B., Gaufin, J., Sundberg, J., & Wedin, L. (1980). Perceptual and acoustic  
810 correlates of abnormal voice qualities. *Acta Oto-Laryngologica*, 90(1–6), 441–451.
- 811 Hanson, H M. (1997). Glottal characteristics of female speakers: acoustic correlates. *The Journal*  
812 *of the Acoustical Society of America*, 101(1), 466–481. <https://doi.org/10.1121/1.417991>
- 813 Hanson, Helen M. (1997). Glottal characteristics of female speakers: Acoustic correlates. *The*  
814 *Journal of the Acoustical Society of America*, 101(1), 466–481.  
815 <https://doi.org/10.1121/1.417991>
- 816 Heijden, V. Der, Ferdinand, R. P. D., Ridder, D. De, & Tax, D. M. (2005). *Classification,*  
817 *Parameter Estimation and State Estimation An Engineering Approach Using MATLAB*. John  
818 Wiley & Sons.
- 819 Henton, C. G., & Bladon, R. A. W. (1985). Breathiness in normal female speech: Inefficiency  
820 versus desirability. *Language and Communication*, 5(3), 221–227.  
821 [https://doi.org/10.1016/0271-5309\(85\)90012-6](https://doi.org/10.1016/0271-5309(85)90012-6)
- 822 Henton, Caroline G. (1986). Creak as a sociophonetic marker. *The Journal of the Acoustical*  
823 *Society of America*, 80(S1), S50–S50. <https://doi.org/10.1121/1.2023837>
- 824 Hillenbrand, J., Cleveland, R. A., & Erickson, R. L. (1994). Acoustic Correlates of Breathy Vocal

Running title: Talkers' voice quality through cochlear implant

- 825           Quality. *Journal of Speech Language and Hearing Research*, 37(4), 769.  
826           <https://doi.org/10.1044/jshr.3704.769>
- 827   Houston, D. M., & Jusczyk, P. W. (2000). The role of talker-specific information in word  
828           segmentation by infants. *Journal of Experimental Psychology: Human Perception and*  
829           *Performance*, 26(5), 1570–1582. <https://doi.org/10.1037/0096-1523.26.5.1570>
- 830   Houston, D. M., & Jusczyk, P. W. (2003). Infants' Long-Term Memory for the Sound Patterns of  
831           Words and Voices. *Journal of Experimental Psychology: Human Perception and*  
832           *Performance*, 29(6), 1143–1154. <https://doi.org/10.1037/0096-1523.29.6.1143>
- 833   Houston, D. M., Pisoni, D. B., Kirk, K. I., Ying, E. A., & Miyamoto, R. T. (2003). Speech  
834           perception skills of deaf infants following cochlear implantation: A first report. *International*  
835           *Journal of Pediatric Otorhinolaryngology*, 67(5), 479–495.
- 836   Houston, M., Beer, Bergeson, R., Chin, B., Pisoni, B., & Miyamoto, T. (2012). The ear is  
837           connected to the brain: some new directions in the study of children with cochlear implants  
838           at Indiana University. *Journal of American Academy of Audiology*, 23(6), 446–463.  
839           <https://doi.org/10.3766/jaaa.23.6.7>.The
- 840   Hunt, N. J., Lennig, N., & Mermelestein, P. (1980). Experiments in syllable-based recognition of  
841           continuous speech. *IEEE International Conference on Acoustics, Speech, and Signal*  
842           *Processing*, (5), 880–883.
- 843   Irwin, R. B. (1977). Judgments of vocal quality, speech fluency, and confidence of southern black  
844           and white speakers. *Language and Speech*, 20(3), 261–266.  
845           <https://doi.org/10.1177/002383097702000307>

Running title: Talkers' voice quality through cochlear implant

846 John J. Ohala. (1983). Cross-Language Use of Pitch: An Ethological View. *Phonetica*, Vol. 40,  
847 pp. 1–18.

848 Johnson, K. (2005). Speaker Normalization in Speech Perception. In *The Handbook of Speech*  
849 *Perception* (pp. 363–389).

850 Kisilevsky, B. S., Hains, S. M. J., Lee, K., Xie, X., Huang, H., Ye, H. H., ... Wang, Z. (2003).  
851 Effects of experience on fetal voice recognition. *Psychological Science*, 14(3), 220–224.  
852 <https://doi.org/10.1111/1467-9280.02435>

853 Kitzing, P., & Åkerlund, L. (1993). Long-time average spectrograms of dysphonic voices before  
854 and after therapy. *Folia Phoniatica et Logopaedica*, 45(2), 53–61.  
855 <https://doi.org/10.1159/000266213>

856 Klatt, D. H., & Klatt, L. C. (1990). Analysis, synthesis, and perception of voice quality variations  
857 among female and male talkers. In *The Journal of the Acoustical Society of America* (Vol.  
858 87). <https://doi.org/10.1121/1.398894>

859 Kleinschmidt, D., & Jaeger, T. F. (2015). Robust speech perception: Recognize the familiar,  
860 generalize to the similar, and adapt to the novel. *Psychological Review*, 122(2), 148–203.

861 Kohavi, R. (1995). A Study of Cross-Validation and Bootstrap for Accuracy Estimation and Model  
862 Selection. *Appears in the International Joint Conference on Artificial Intelligence (IJCAI)*, 1–  
863 7. <https://doi.org/10.1067/mod.2000.109031>

864 Kreiman, J., Vanlancker-Sidtis, D., & Gerratt, B. R. (2005). Perception of voice quality. In  
865 *Handbook of speech perception* (pp. 338–362). Malden, MA: Blackwell.

866 Kreiman, Jody, & Gerratt, B. R. (1996). The perceptual structure of pathologic voice quality. *The*

Running title: Talkers' voice quality through cochlear implant

- 867 *Journal of the Acoustical Society of America*, 100(3), 1787–1795.  
868 <https://doi.org/10.1121/1.416074>
- 869 Kreiman, Jody, Gerratt, B. R., & Berke, G. S. (1994). The multidimensional nature of pathologic  
870 vocal quality. *The Journal of the Acoustical Society of America*, 96(3), 1291–1302.  
871 <https://doi.org/10.1121/1.410277>
- 872 Kreiman, Jody, Gerratt, B. R., & Ito, M. (2007). When and why listeners disagree in voice quality  
873 assessment tasks. *The Journal of the Acoustical Society of America*, 122(4), 2354–2364.  
874 <https://doi.org/10.1121/1.2770547>
- 875 Kreiman, Jody, Gerratt, B. R., Kempster, G. B., Erman, A., & Berke, G. S. (1993). Perceptual  
876 evaluation of voice quality: review, tutorial, and a framework for future research. *Journal of*  
877 *Speech, Language, and Hearing Research*, 36(1), 21–40.
- 878 Kreiman, Jody, Gerratt, B. R., & Precoda, K. (1990). Listener experience and perception of voice  
879 quality. *Journal of Speech and Hearing Research*, 33(1), 103–115.  
880 <https://doi.org/10.1121/1.2025887>
- 881 Krom, G. de. (1995). Some Spectral Correlates of Pathological Breathy and Rough Voice Quality  
882 for Different Types of Vowel Fragments. *Journal of Speech Language and Hearing*  
883 *Research*, 38(4), 794. <https://doi.org/10.1044/jshr.3804.794>
- 884 Ladefoged, P., & Broadbent, D. E. (1957). Information Conveyed by Vowels. *The Journal of the*  
885 *Acoustical Society of America*, 29(1), 98–104. <https://doi.org/10.1121/1.1908694>
- 886 Laneau, J., Wouters, J., & Moonen, M. (2004). Relative contributions of temporal and place pitch  
887 cues to fundamental frequency discrimination in cochlear implantees. *The Journal of the*



Running title: Talkers' voice quality through cochlear implant

- 888 *Acoustical Society of America*, 116(6), 3606–3619. <https://doi.org/10.1121/1.1823311>
- 889 Latinus, M., & Belin, P. (2011). Anti-voice adaptation suggests prototype-based coding of voice  
890 identity. *Frontiers in Psychology*, 2(JUL), 1–12. <https://doi.org/10.3389/fpsyg.2011.00175>
- 891 Laver, J. D. M. (1968). Voice Quality and Indexical Information. *International Journal of*  
892 *Language & Communication Disorders*, 3(1), 43–54.  
893 <https://doi.org/10.3109/13682826809011440>
- 894 Maesschalck, R. D., & Massart, D. L. (2000). The Mahalanobis distance. *Chemometrics and*  
895 *Intelligent Laboratory Systems*, 50(1), 1–18.
- 896 Masnan, M. J., Mahat, N. I., Shakaff, A. Y. M., Abdullah, A. H., Zakaria, N. Z. I., Yusuf, N., ...  
897 Aziz, A. H. A. (2015). Understanding Mahalanobis distance criterion for feature selection.  
898 *AIP Conference Proceedings*, 1660, 050075. AIP Publishing LLC.
- 899 McDermott, H. J. (2004). Music Perception with Cochlear Implants: A Review. *Trends in*  
900 *Amplification*, 8(2), 49–82. <https://doi.org/10.1177/108471380400800203>
- 901 Mckinney, M. F., & Breebaart, J. (2003). Features for Audio and Music Classification. *Proc*  
902 *ISMIR*, 4, 151–158. <https://doi.org/10.1016/j.asoc.2010.08.017>
- 903 Mehta, A. H., Lu, H., & Oxenham, A. J. (2020). The Perception of Multiple Simultaneous Pitches  
904 as a Function of Number of Spectral Channels and Spectral Spread in a Noise-Excited  
905 Envelope Vocoder. *JARO - Journal of the Association for Research in Otolaryngology*, 21(1),  
906 61–72.
- 907 Mehta, A. H., & Oxenham, A. J. (2017). Vocoder Simulations Explain Complex Pitch Perception  
908 Limitations Experienced by Cochlear Implant Users. *JARO - Journal of the Association for*

Running title: Talkers' voice quality through cochlear implant

- 909            *Research in Otolaryngology*, 18(6), 789–802.
- 910 Meyer, T. A., & Svirsky, M. A. (2000). Speech perception by children with the CLARION (CIS)  
911            or nucleus 22 (speak) cochlear implant or hearing aids. *Annals of Otolology, Rhinology and*  
912            *Laryngology*, 109(12 II SUPPL.), 49–51. <https://doi.org/10.1177/0003489400109S1220>
- 913 Miyamoto, R. T., Osberger, M. J., & Kessler, K. (1996). Cochlear implant in aural re (habilitation)  
914            of adults and children. *J Otolaryngology Head and Neck Surgery*, 116, 1142–1152.
- 915 Moisik, S. R. (2013). Harsh voice quality and its association with blackness in popular American  
916            media. *Phonetica*, 69(4), 193–215. <https://doi.org/10.1159/000351059>
- 917 Moore, B. C. J., & Carlyon, R. P. (2005). Perception of Pitch by People with Cochlear Hearing  
918            Loss and by Cochlear Implant Users. In *Pitch* (pp. 234–277). [https://doi.org/10.1007/0-387-](https://doi.org/10.1007/0-387-28958-5_7)  
919            [28958-5\\_7](https://doi.org/10.1007/0-387-28958-5_7)
- 920 Moore, D. R., & Shannon, R. V. (2009). Beyond cochlear implants: Awakening the deafened brain.  
921            *Nature Neuroscience*, 12(6), 686–691. <https://doi.org/10.1038/nn.2326>
- 922 Morrison, G. S. & Assmann, P. F. (2013). *Vowel Inherent Spectral Change*. Springer Science &  
923            Business Media.
- 924 O’Leidhin, E., & Murphy, P. (2005). Analysis of spectral measures for voiced speech with varying  
925            noise and perturbation levels. *ICASSP, IEEE International Conference on Acoustics, Speech*  
926            *and Signal Processing - Proceedings*, I, 869–872.  
927            <https://doi.org/10.1109/ICASSP.2005.1415252>
- 928 Ogden, R. (2001). Turn transition, creak and glottal stop in Finnish talk-in-interaction. *Journal of*  
929            *the International Phonetic Association*, 31(1), 139–152.

Running title: Talkers' voice quality through cochlear implant

- 930 <https://doi.org/10.1017/S0025100301001116>
- 931 Oxenham, A. J., & Kreft, H. A. (2014). Speech perception in tones and noise via cochlear implants  
932 reveals influence of spectral resolution on temporal processing. *Trends in Hearing*, 18, 1–14.  
933 <https://doi.org/10.1177/2331216514553783>
- 934 Panek, D., Skalski, A., Gajda, J., & Tadeusiewicz, R. (2015). Acoustic Analysis Assessment in  
935 Speech Pathology Detection. *International Journal of Applied Mathematics and Computer  
936 Science*, 25(3), 631–643. <https://doi.org/10.1515/amcs-2015-0046>
- 937 Papcun, G., Kreiman, J., & Davis, A. (2005). Long- term memory for unfamiliar voices. *The  
938 Journal of the Acoustical Society of America*, 85(2), 913–925.  
939 <https://doi.org/10.1121/1.397564>
- 940 Park, S. J., Sigouin, C., Kreiman, J., Keating, P., Guo, J., Yeung, G., ... Alwan, A. (2016). Speaker  
941 identity and voice quality: Modeling human responses and automatic speaker recognition.  
942 *Proceedings of the Annual Conference of the International Speech Communication  
943 Association, INTERSPEECH, 08-12-Sept, 1044–1048.*  
944 <https://doi.org/10.21437/Interspeech.2016-523>
- 945 Pisoni, D. B. (1992). Talker normalization in speech perception. *Speech Perception, Production  
946 and Linguistic Structure*, (1974), 143–151.
- 947 Podesva, R. J. (2007). Phonation type as a stylistic variable: The use of falsetto in constructing a  
948 persona. *Journal of Sociolinguistics*, 11(4), 478–504. [https://doi.org/10.1111/j.1467-  
949 9841.2007.00334.x](https://doi.org/10.1111/j.1467-9841.2007.00334.x)
- 950 Podesva, R. J., & Callier, P. (2015). Voice quality and identity. *Annual Review of Applied*

Running title: Talkers' voice quality through cochlear implant

- 951        *Linguistics*, 35, 173–194. <https://doi.org/10.1017/S0267190514000270>
- 952    Purnell, T., Idsardi, W., & Baugh, J. (1999). Perceptual and Phonetic Experiments on American  
953        English Dialect Identification. *Journal of Language and Social Psychology*, 18(10), 10–30.  
954        <https://doi.org/10.1177/0261927X99018001002>
- 955    Puts, D. A., Hodges, C. R., Cárdenas, R. A., & Gaulin, S. J. C. (2007). Men's voices as dominance  
956        signals: vocal fundamental and formant frequencies influence dominance attributions among  
957        men. *Evolution and Human Behavior*, 28(5), 340–344.  
958        <https://doi.org/10.1016/j.evolhumbehav.2007.05.002>
- 959    Rabiner, L. R., & Schafer, R. W. (1978). *Digital Processing of Speech Signals*. New Jersey:  
960        Prentice-Hal.
- 961    Ramírez-Esparza, N., García-Sierra, A., & Kuhl, P. K. (2017). Look who's talking NOW!  
962        Parentese speech, social context, and language development across time. *Frontiers in*  
963        *Psychology*, 8(JUN), 1–12. <https://doi.org/10.3389/fpsyg.2017.01008>
- 964    Redi, L., & Shattuck-Hufnagel, S. (2001). Variation in the realization of glottalization in normal  
965        speakers. *Journal of Phonetics*, 29(4), 407–429. <https://doi.org/10.1006/jpho.2001.0145>
- 966    Reilly, R. B., Moran, R., & Lacy, P. (2004). Voice pathology assessment based on a dialogue  
967        system and speech analysis. *Proceedings of the AAAI Fall Symposium on Dialogue Systems*  
968        *for Health Communication, Washington DC*, 104–109.
- 969    Rilliard, A., Shochi, T., Martin, J. C., Erickson, D., & Aubergé, V. (2009). Multimodal Indices to  
970        Japanese and French Prosodically Expressed Social Affects. *Language and Speech*, 52(2–3),  
971        223–243. <https://doi.org/10.1177/0023830909103171>

Running title: Talkers' voice quality through cochlear implant

- 972 Rontal, E., Rontal, M., & Rolnick, M. I. (1975). Objective evaluation of vocal pathology using  
973 voice spectrography. *Annals of Otolaryngology, Rhinology & Laryngology*, 84(5), 662–671.  
974 <https://doi.org/10.1177/000348947508400518>
- 975 Rosen, S., Souza, P., Ekelund, C., & Majeed, A. A. (2013). Listening to speech in a background  
976 of other talkers: Effects of talker number and noise vocoding. *The Journal of the Acoustical  
977 Society of America*, 133(4), 2431–2443. <https://doi.org/10.1121/1.4794379>
- 978 Roy, N., & Leeper, H. A. (1993). Effects of the manual laryngeal musculoskeletal tension  
979 reduction technique as a treatment for functional voice disorders: Perceptual and acoustic  
980 measures. *Journal of Voice*, 7(3), 242–249. [https://doi.org/10.1016/S0892-1997\(05\)80333-9](https://doi.org/10.1016/S0892-1997(05)80333-9)
- 981 S. Davis and P. Mermelstein. (1980). Comparison of Parametric Representations for Monosyllabic  
982 Word Recognition in Continuously Spoken Sentences. *IEEE Transactions on Acoustics,  
983 Speech, and Signal Processing*, 28(4), 357–366.  
984 <https://doi.org/10.1109/TASSP.1980.1163420>
- 985 Sasaki, Y., & Okamura, H. (1984). Harmonics-to-noise ratio and psychophysical measurement of  
986 the degree of hoarseness. *Journal of Speech and Hearing Research*, 27(March), 2–6.
- 987 Shaneh, M., & Taheri, A. (2009). Voice command recognition system based on MFCC and VQ  
988 algorithms. *World Academy of Science, Engineering and Technology*, 57, 534–538.
- 989 Shannon, R. V., Zeng, F.-G., Kamath, V., Wygonski, J., & Ekelid, M. (1995). Speech recognition  
990 with primarily temporal cues. *Science*, 270(5234), 303–304.
- 991 Shannon, Robert V., Fu, Q. J., & Galvin, J. (2004). The number of spectral channels required for  
992 speech recognition depends on the difficulty of the listening situation. *Acta Oto-*

Running title: Talkers' voice quality through cochlear implant

- 993 *Laryngologica, Supplement, 124(552)*, 50–54. <https://doi.org/10.1080/03655230410017562>
- 994 Sicoli, M. A. (2007). *Tono: A linguistic ethnography of tone and voice in a Zapotec region*  
995 *(Doctoral dissertation)*.
- 996 Sicoli, Mark A. (2010). Shifting voices with participant roles: Voice qualities and speech registers  
997 in Mesoamerica. *Language in Society*, 39(4), 521–553.  
998 <https://doi.org/10.1017/S0047404510000436>
- 999 Simpson, A. P. (2009). Phonetic differences between male and female speech. *Linguistics and*  
1000 *Language Compass*, 3(2), 621–640. <https://doi.org/10.1111/j.1749-818X.2009.00125.x>
- 1001 Smurzynski, J. (1990). Pitch identification and discrimination for complex tones with many  
1002 harmonics. *Journal of the Acoustical Society of America*, 87(1), 304–310.  
1003 <https://doi.org/10.1121/1.399297>
- 1004 Souza, P., Gehani, N., Wright, R., & McCloy, D. (2013). The advantage of knowing the talker.  
1005 *Journal of the American Academy of Audiology*, 24(8), 689–700.
- 1006 Stevens, S. S., Volkman, J., & Newman, E. B. (1937). A scale for the measurement of the  
1007 psychological magnitude pitch. *The Journal of the Acoustical Society of America*, 8(3), 185–  
1008 190.
- 1009 Stickney, G. S., Assmann, P. F., Chang, J., & Zeng, F.-G. (2007). Effects of cochlear implant  
1010 processing and fundamental frequency on the intelligibility of competing sentences. *The*  
1011 *Journal of the Acoustical Society of America*, 122(2), 1069–1078.  
1012 <https://doi.org/10.1121/1.2750159>
- 1013 Stickney, G. S., Zeng, F.-G., Litovsky, R., & Assmann, P. (2004). Cochlear implant speech

Running title: Talkers' voice quality through cochlear implant

- 1014 recognition with speech maskers. *The Journal of the Acoustical Society of America*, 116(2),  
1015 1081–1091. <https://doi.org/10.1121/1.1772399>
- 1016 Stross, B. (2013). Falsetto voice and observational logic: Motivated meanings. *Language in*  
1017 *Society*, 42(2), 139–162. <https://doi.org/10.1017/S004740451300002X>
- 1018 Stuart-Smith, J. (1999). Glasgow: Accent and voice quality. *Urban Voices: Accent Studies in the*  
1019 *British Isles*, 203–222.
- 1020 Svirsky, M. A. (2017). Cochlear implants and electronic hearing. *Physics Today*, 70(8), 53–58.
- 1021 Tamati, T. N., Janse, E., Pisoni, D. B., & Baskent, D. (2017). Talker variability in real-life speech  
1022 recognition by cochlear implant users. *The Journal of the Acoustical Society of America*,  
1023 141(5), 2017–2020. <https://doi.org/10.1121/1.4989293>
- 1024 Terasawa, H., Slaney, M., & Berger, J. (2005). Perceptual Distance in Timbre Space. *Proceedings*  
1025 *of ICAD 05-Eleventh Meeting Of the International Conference on Auditory Display*, 6–9.
- 1026 Thomas, E. (2007). Phonological and Phonetic Characteristics in African American Vernacular  
1027 English. *Language and Linguistics Compass*, 5, 450–475.
- 1028 Thomas, E. R., & Reaser, J. (2004). Delimiting perceptual cues used for the ethnic labeling of  
1029 African American and European American voices. *Journal of Sociolinguistics*, 8(1), 54–87.  
1030 <https://doi.org/10.1111/j.1467-9841.2004.00251.x>
- 1031 Tsai, C. G., Wang, L. C., Wang, S. F., Shau, Y. W., Hsiao, T. Y., & Auhagen, W. (2010).  
1032 Aggressiveness of the growl-like timbre: Acoustic characteristics, musical implications, and  
1033 biomechanical mechanisms. *Music Perception*, 27(3), 209–222.
- 1034 Tyler, R. S., Teagle, H. F., Kelsay, D. M., Gantz, B. J., Woodworth, G. G., & Parkinson, A. J.

Running title: Talkers' voice quality through cochlear implant

- 1035 (2000). Speech perception by prelingually deaf children after six years of Cochlear implant  
1036 use: effects of age at implantation. *Annals of Otology, Rhinology & Laryngology*,  
1037 *109*(12\_suppl), 82–84.
- 1038 Umapathy, K., Krishnan, S., Parsa, V., & Jamieson, D. G. (2005). Discrimination of pathological  
1039 voices using a time-frequency approach. *IEEE Transactions on Biomedical Engineering*,  
1040 *52*(3), 421–430. <https://doi.org/10.1109/TBME.2004.842962>
- 1041 Umapathy, S., Rachel, S., & Thulasi, R. (2018). Automated speech signal analysis based on feature  
1042 extraction and classification of spasmodic dysphonia: a performance comparison of different  
1043 classifiers. *International Journal of Speech Technology*, *21*(1), 9–18.  
1044 <https://doi.org/10.1007/s10772-017-9471-8>
- 1045 Van Dommelen, W. A. (1987). The contribution of speech rhythm and pitch to speaker  
1046 recognition. *Language and Speech*, *30*(4), 325–338.  
1047 <https://doi.org/10.1177/002383098703000403>
- 1048 Vongpaisal, T., Trehub, S. E., Schellenberg, E. G., Lieshout, P. Van, & Papsin, B. C. (2010).  
1049 Children With Cochlear Implants Recognize Their Mother's Voice. *Ear and Hearing*, *31*(4),  
1050 555–566.
- 1051 Winn, M. B., Chatterjee, M., & Idsardi, W. J. (2012). The use of acoustic cues for phonetic  
1052 identification: Effects of spectral degradation and electric hearing. *The Journal of the*  
1053 *Acoustical Society of America*, *131*(2), 1465–1479. <https://doi.org/10.1121/1.3672705>
- 1054 Winn, M. B., & Litovsky, R. Y. (2015). Using speech sounds to test functional spectral resolution  
1055 in listeners with cochlear implants. *The Journal of the Acoustical Society of America*, *137*(3),  
1056 1430–1442.



Running title: Talkers' voice quality through cochlear implant

- 1057 Wolfe, V. I., & Bacon, M. (1971). Spectrographic comparison of two types of spastic dysphonia.  
1058 *Journal of Speech and Hearing Disorders*, 41(3), 325–332.
- 1059 Xiang, S., Nie, F., & Zhang, C. (2008). Learning a Mahalanobis distance metric for data clustering  
1060 and classification. *Pattern Recognition*, 41(12), 3600–3612.
- 1061 Xu, L., Thompson, C. S., & Pfingst, B. E. (2005). Relative contributions of spectral and temporal  
1062 cues for phoneme recognition. *The Journal of the Acoustical Society of America*, 117(5),  
1063 3255–3267. <https://doi.org/10.1121/1.1886405>
- 1064 Yanagihara, N. (1967). Significance of harmonic changes and noise components in hoarseness.  
1065 *Journal of Speech, Language, and Hearing Research*, 10(3), 531–542.
- 1066 Yumoto, E., Gould, W. J., & Baer, T. (1982). Harmonics-to-noise ratio as an index of the degree  
1067 of hoarseness. *The Journal of the Acoustical Society of America*, 71(6), 1544–1550.
- 1068 Zimman, L. (2012). Voices in transition: Testosterone, transmasculinity, and the gendered voice  
1069 among female-to-male transgender people. *Linguistics Graduate Theses & Dissertations*,  
1070 (24), 1–253.
- 1071
- 1072
- 1073
- 1074
- 1075
- 1076

Running title: Talkers' voice quality through cochlear implant

1077 **Fig. 1.** (Color online) Schematic diagram of the approach used in the current study to (A)  
1078 characterize acoustic properties of normal and disordered voice stimuli based on MFCCs features,  
1079 (B) evaluate the acoustic distance between voices with normal and disordered qualities at seven  
1080 levels of spectral degradation from no degradation (unprocessed vowel sound) to CI-simulated  
1081 voices with 4 channels based on calculating *Mahalanobis distance* between MFCCs matrices of  
1082 the two classes, (C) evaluate the acoustic distance between two classes of normal and disordered  
1083 voice qualities as a function of levels of spectral degradation based on the classification accuracy  
1084 derived from applying 5-fold validation to SVM classifier. The SVM classifiers were trained and  
1085 tested on MFCCs features obtained from voice stimuli from two classes of normal and disordered  
1086 voice qualities. The dashed lines refer to the process for creating and analyzing the CI-simulated  
1087 versions of the unprocessed voice stimuli. N in the “*N-channel Simulator*” block stands for the  
1088 number of spectral channels in the CI-simulated noise vocoder. Components, blocks, and lines  
1089 with blue (dark gray) color show the paths for processing voices with normal quality, whereas the  
1090 components with orange (light gray) color show the paths for processing voices with disordered  
1091 quality.  $S_{n_i}$  or  $S_{d_j}$  in panel (A) represent normal and disordered voice stimuli for subject number  $i$   
1092 ( $i=\{1,2,\dots, 53\}$ ) and subject number  $j$  ( $j=\{1,2,\dots, 240\}$ ), respectively.  $MFCCs_{n_i}$  and  $MFCCs_{d_j}$   
1093 are MFCC matrices extracted from frames of  $S_{n_i}$  and  $S_{d_j}$  signals.  $\mu_{MFCCs_{n_i}}$  and  $\mu_{MFCCs_{d_j}}$  in panel  
1094 (B) and (C) are average 12-dimensional MFCCs obtained over frames of  $MFCCs_{n_i}$  and  $MFCCs_{d_j}$   
1095 matrices.  $MD$  in panel (B) is the *Mahalanobis distance* calculated on average MFCCs matrices  
1096 derived from voice stimuli, belonging to two classes of normal and disordered voice qualities.  
1097 Panel (C) shows the procedure of 5-fold cross-validation in 5 iterations applied to SVM to evaluate  
1098 the effect of spectral degradation in CI-simulated voices on the acoustic separation between two  
1099 classes of normal and disordered voices. F1 to F5 stand for Fold 1 to Fold 5 where the entire feature

Running title: Talkers' voice quality through cochlear implant

1100 data (i.e., MFCCs features) was split into 5 folds; 4 folds for training the SVM classifier and the  
1101 remaining fold for testing the SVM. Dashed rectangles indicate the folds for testing the classifier  
1102 and solid rectangles refer to those for training.

1103 **Fig. 2.** (Color online) Average magnitude spectra of voice stimuli with normal (blue or dark gray  
1104 lines) and disordered (orange or light gray lines) qualities for (A) unprocessed voices, (B)  
1105 simulated cochlear implant voices with 16-channel, and (C) 4-channel in the CI noise-vocoder.  
1106 The standard deviations of the magnitude spectra are also shown as the blue (dark gray) shaded  
1107 area across the average blue line (dark gray) for the group of normal voices and as the orange (light  
1108 gray) shaded area across the average orange line (light gray) for the group of disordered voices.

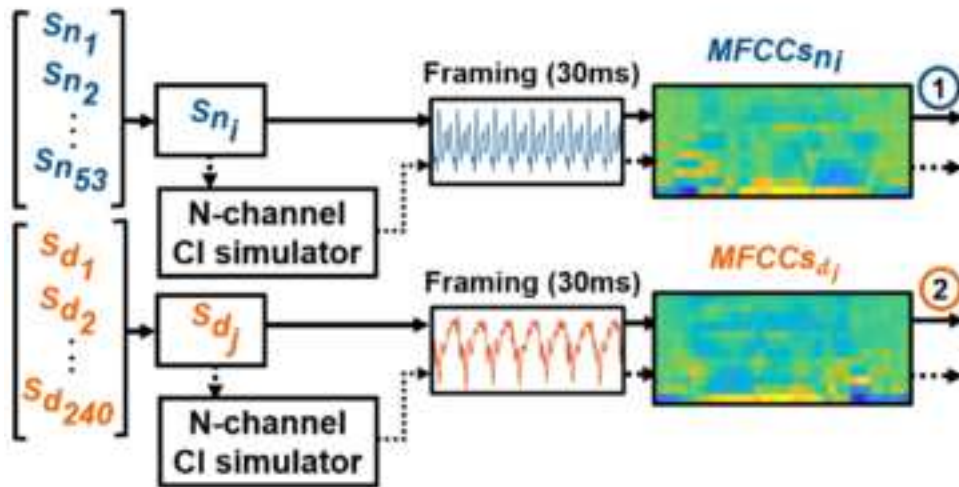
1109 **Fig. 3.** (Color online) The filterbank of mel-spaced triangular filters (green or dark gray dotted  
1110 lines) superimposed on average magnitude spectra of voices with normal (blue or dark gray line)  
1111 and disordered (orange or light gray line) qualities. In this example, mel-filterbank contains 12  
1112 filters, which starts at 0 Hz and expands to 22.05 kHz, corresponding to half of the sampling  
1113 frequency (44.1 kHz). The actual filterbank in the calculation of MFCC features was comprised of  
1114 32 mel filters.

1115 **Fig. 4.** (Color online) Mahalanobis distance between two groups of voices with normal and  
1116 disordered qualities as a function of spectral degradation in CI-simulated voices (i.e., number of  
1117 spectral channels). The top, horizontal dashed line shows the MD derived from unprocessed voices  
1118 and the dotted line in the middle shows the average of MDs across six levels of spectral  
1119 degradation. The unprocessed condition is labeled as "NT", which stands for natural/unprocessed  
1120 stimuli.

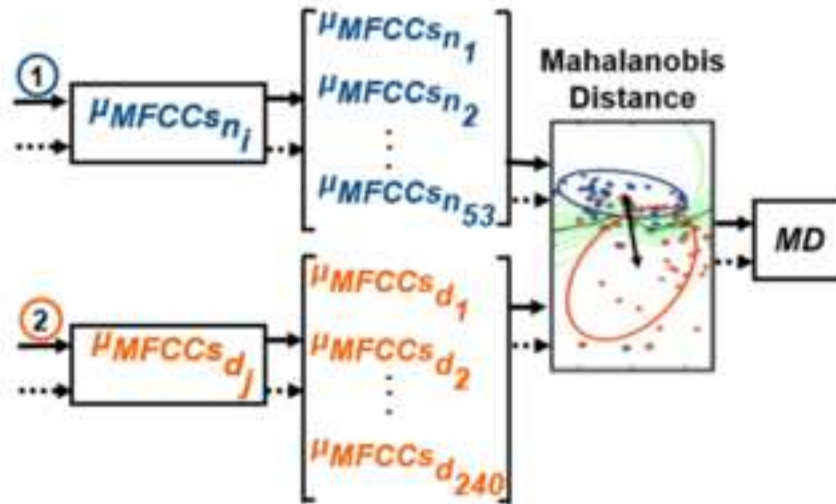
Running title: Talkers' voice quality through cochlear implant

1121 **Fig. 5.** (Color online) The accuracy of SVM in classification between two groups of normal and  
1122 disordered voices at seven levels of spectral degradation, corresponding to change in the number  
1123 of noise-vocoder frequency channels (i.e., unprocessed, 32-, 22-, 16-, 12-, 8-, and 4-channels  
1124 noise-vocoder). The unprocessed condition is labeled as “NT”, which stands for  
1125 natural/unprocessed stimuli.

(A)



(B)



(C)

