

1 **Title:** Successful contact tracing systems for COVID-19 rely on effective quarantine and isolation

2 **One Sentence Summary:** A new performance indicator for COVID-19 contact tracing reveals the
3 importance of support systems for people in quarantine and isolation

4 **Authors:** A. James^{1,2*}, M. Plank^{1,2}, S. Hendy^{2,3}, R. Binny^{2,4}, A. Lustig^{2,4}, N. Steyn^{2,3}, A Nesdale⁵, A Verrall⁶

5 *Corresponding author: alex.james@canterbury.ac.nz

6 **Affiliations:**

7 ¹ University of Canterbury, New Zealand

8 ² Te Pūnaha Matatini, New Zealand.

9 ³ University of Auckland, New Zealand.

10 ⁴ Manaaki Whenua, Lincoln, New Zealand.

11 ⁵ Hutt Valley District Health Board, Lower Hutt, New Zealand.

12 ⁶ University of Otago, New Zealand.

13 **Abstract:**

14 Contact tracing is a key tool in the fight against COVID-19. Its effectiveness depends on the ability of
15 traced contacts to quarantine and then isolate on symptom onset. We show that these factors crucially affect
16 the reduction in the effective transmission number, but make it difficult to measure the effectiveness of the
17 system using routinely collected data. This implies that provision of universal support systems to enable
18 people to quarantine and isolate effectively, coupled with investment in trained public health professionals
19 to undertake contact tracing, are crucial to success. We predict that a high-quality, rapid contact tracing
20 system with strong support structures in place, combined with moderate social distancing measures, is
21 required to contain the spread of COVID-19.

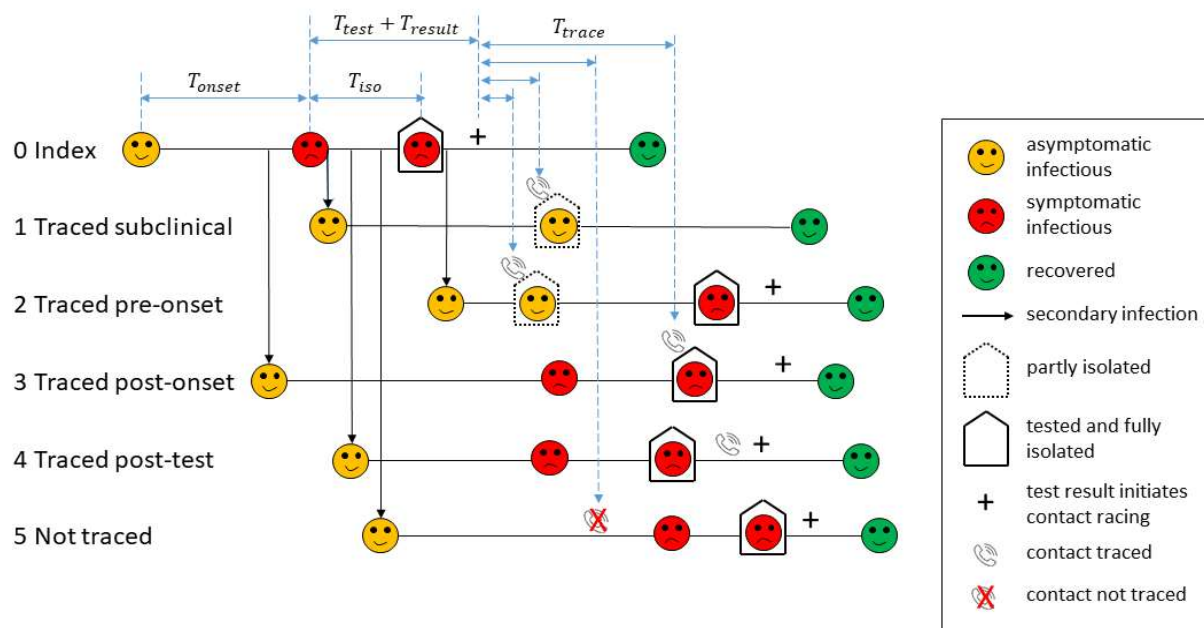
22 **Main Text:**

23 The WHO guidelines for control of COVID-19 emphasise three crucial components of an effective strategy:
24 test, trace, and isolate (*1*). Collectively, this system of rapid case and contact management has become one
25 of the key public health tools in the fight against COVID-19 worldwide (*2-4*). Contact tracing has been
26 crucial in controlling several disease outbreaks, notably SARS, MERS and Ebola (*5, 6*). While contact
27 tracing alone is unlikely to contain the spread of COVID-19 (*7, 8*), in countries like New Zealand, which is
28 close to local elimination of the virus (*9*), it may allow population-wide social distancing measures to be
29 relaxed. In countries with more widespread epidemics, it can allow safe reopening. There is a need for
30 robust ways to measure and improve the effectiveness of contact tracing in reducing the spread of COVID-
31 19. However, the effective reproduction number, R_{eff} , is difficult to measure directly, is affected by
32 numerous factors including population-wide restrictions, and can typically only be inferred after a
33 substantial time lag (*10*). We therefore need reliable indicators for the effectiveness of contact tracing and
34 other case-targeted interventions (*11*).

35 Existing mathematical models of contact tracing (*7, 8*) focus almost exclusively on the time taken to trace
36 contacts and the proportion of contacts who are traced. Most models assume that isolation is 100% effective
37 in preventing further onward transmission from traced cases (*2*). Other models assume the effectiveness of
38 isolation and the probability of being traced are interchangeable, i.e. a system where 50% of contacts are
39 traced and isolation is 100% effective is assumed to have the same outcomes as one where 100% of contacts
40 are traced and isolation reduces onward transmission by 50% (*7*). Quarantine refers to the separation of
41 individuals who may have been exposed to the virus but are currently asymptomatic, and is distinct from
42 isolation of symptomatic or confirmed cases (*12*). In reality, the quarantining of contacts and isolation of
43 cases are complex and depend on a range of variables. Complete isolation of all confirmed cases is
44 impractical in most countries: some contact with household members and essential service providers or
45 healthcare workers is inevitable in at least some cases. Barriers to effective isolation are higher in

46 communities with high levels of socioeconomic deprivation, insecure employment, and limited entitlement
47 to paid sick leave. Quarantine of asymptomatic case contacts, the majority of whom are likely not infected,
48 is even more challenging (13). In countries with large outbreaks, this could affect tens of thousands of
49 people and require closure of entire workplaces for extended periods. As digital contact tracing systems are
50 introduced, the number of false positives could increase further. Taking time off work to quarantine when
51 asymptomatic is likely to be impossible for many. This suggests that quarantine is likely to involve
52 precautionary measures rather than complete isolation and therefore to be less effective than isolation of
53 confirmed cases.

54 We explicitly model the effectiveness of contact quarantine and case isolation in reducing onward
55 transmission. We use a model calibrated using data on COVID-19 cases in New Zealand, where the virus
56 has been controlled effectively and the number of current cases is very low. We also evaluate four potential
57 performance indicators for the contact tracing system. We show that seemingly straightforward indicators,
58 such as the proportion of cases quarantined before symptom onset, can be misleading. We propose an
59 indicator based on the time between quarantine or isolation of an index case and quarantine or isolation of
60 secondary cases. This may be harder to measure than some indicators, but is a more reliable measure of the
61 reduction in the effective reproduction number. Our results highlight the importance of establishing support
62 systems to enable individuals to quarantine and isolate effectively(14). They also demonstrate that effective
63 contact tracing requires a skilled, professional workforce that can trace downstream contacts of a positive
64 case, as well as upstream contacts to determine the source of infection and provide the high quality data
65 needed. This implies that over-reliance on digital contact tracing solutions or the use of contact tracing staff
66 who are not trained in public health work are likely to lead to less favourable outcomes.



67

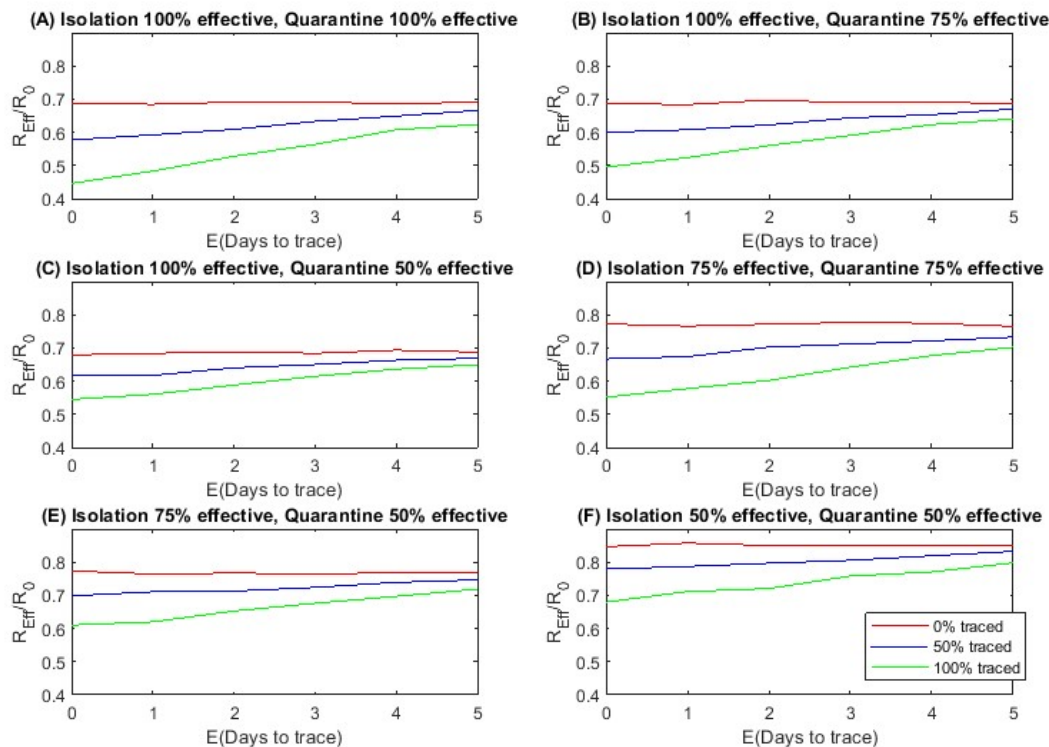
68 **Figure 1. Schematic diagram of the contact tracing model.** Infectious individuals are initially
 69 asymptomatic (yellow). For the index case who was not traced (0), there is a delay between onset of
 70 symptoms (red) and getting tested. Isolation occurs at some point between symptom onset and
 71 testing. There is a subsequent delay to the test result and tracing of contacts. Traced contacts (1-4)
 72 are quarantined when contacted by public health officials (phone icons) and isolated and tested
 73 immediately on symptom onset. Traced contacts (3) who are already symptomatic prior to being
 74 traced are isolated immediately when contacted. Traced contacts (4) that have already isolated prior
 75 to being traced are not affected. Contacts that cannot be traced (5) may still get tested and isolated,
 76 but this is likely to take longer. Asymptomatic individuals (1) do not get tested or isolated, but will
 77 be quarantined if they are a traced contact.

78

79 **Transmission, contact tracing, quarantine and isolation model**

80 We use a continuous-time branching process model (15) to study the transmission of COVID-19 in the
81 presence of contact tracing and case isolation (Figure 1) – see Supplementary Materials for details.
82 Individual infectiousness is modelled using a time-dependent infection kernel connected with the time of
83 symptom onset, with 35% of infections assumed to occur prior to onset (16, 17). The key input parameters
84 for the contact tracing model are: (i) the proportion of contacts successfully traced; (ii) the mean time taken
85 to trace contacts following a positive test result in the index case; and (iii) the effectiveness of contact
86 quarantine and case isolation in reducing onward transmission. The time for tracing ranges from zero, which
87 can usually only be achieved for household contacts or by using a highly effective digital tracing system,
88 through to 6 days on average. Traced contacts of a positive case who are not currently symptomatic go into
89 home quarantine, i.e. minimise their interactions with others. Upon symptom onset, traced contacts isolated
90 more stringently and tested for SARS-CoV-2. We assume that untraced symptomatic cases are also tested
91 and isolated, but there is a delay from onset to isolation and testing (see Supplementary Materials for
92 distributions).

93 Measuring the input parameters empirically is not straightforward. In many countries, quarantine and
94 isolation are left to the individual. Without strong government and community support, quarantine of
95 asymptomatic or presymptomatic individuals in particular may be ineffective. Measuring the reduction in
96 the number of onward transmissions during quarantine and isolation relies on high-quality data to compare
97 contact rates of similar individuals across a broad sector of society. Even quantifying the proportion of
98 contacts traced is not always straightforward due to imperfect recall.



99

100 **Figure 2: The effectiveness of a contact tracing and isolation system is strongly affected by the**
 101 **proportion of contacts traced, the tracing speed and the effectiveness of quarantine and**
 102 **isolation. Effectiveness measured by the reduction in effective reproduction number R_{eff} relative to**
 103 **the no-control scenario against the expected number of days to trace contacts for a range of tracing**
 104 **probabilities and quarantine/isolation effectiveness.**

105

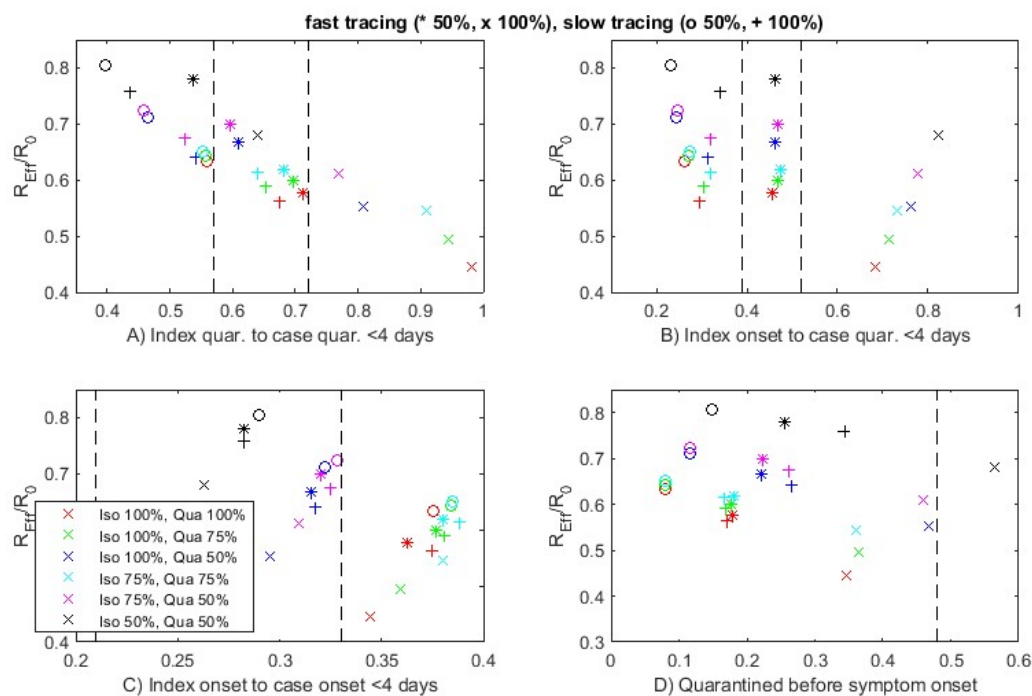
106 **Determinants of the effectiveness of contact tracing**

107 We run the model for three tracing probabilities, 0% (no contact tracing), 50% and 100% (all contacts
 108 traced), and a range of tracing speeds from instant tracing to 6 days on average. The reduction in onward
 109 transmission as a result of quarantine or isolation ranges from 50% to 100%. We assume that case isolation
 110 is always at least as effective as quarantine of asymptomatic contacts.

111 Across all isolation and quarantine scenarios, slower tracing results in poorer outcomes, i.e. higher R_{eff}
112 (Figure 2). If tracing is fast, then tracing more contacts reduces R_{eff} further; if tracing is very slow (more
113 than 6 days on average), the system is ineffective regardless of the proportion of contacts traced and the
114 reduction in R_{eff} is similar to the no-tracing scenario. In reality, tracing speed and proportion of contacts
115 traced may be linked: tracing a few contacts, particularly household or other close contacts, can be done
116 quickly; but tracing a high proportion of all contacts will include contacts who are harder to trace, so the
117 mean tracing time will increase. Our results show if the average tracing time is more than 6 days, there is
118 little benefit trying to trace more contacts in terms of a reduction in R_{eff} and the priority should be faster
119 tracing.

120 The effectiveness of quarantine and isolation is a crucial determinant of the ability of the contact tracing
121 system to reduce R_{eff} . Because there is significant pre-symptomatic transmission of COVID-19 (16, 17),
122 fast tracing in conjunction with effective quarantine of contacts before symptom onset can greatly reduce
123 spread. Although some countries, notably China, established arrangements for institutional isolation and
124 monitored quarantine (18), most countries in Europe, North America and Australasia rely on home
125 quarantine for contacts and home isolation for mild cases. Asking individuals to quarantine or isolate but
126 failing to support them to do so means, for example, they will need to go shopping for food and other
127 essential items, or have them delivered by family or friends who potentially should also be in isolation.
128 Many individuals may be ineligible for paid sick leave, especially when asymptomatic. Crowded or
129 unsuitable housing may mean isolation is not feasible. Precarious employment situations could be
130 exacerbated by prolonged and possibly repeated absences. Given these realities, it is unlikely that 100%
131 effective isolation and quarantine (Fig. 2A) is achievable. A more realistic scenario is where quarantine
132 only reduces onward transmission by 50% (Fig. 2C). If tracing is instantaneous, this provides the same
133 reduction in R_{eff} as a mean tracing time of 2–3 days with 100% effective quarantine. If isolation of cases
134 is only 50% effective (Fig. 2F), improving isolation may be more impactful than faster or more complete
135 contact tracing (Fig. 2A, red line). Tracing 50% of contacts with 100% quarantine and isolation

136 effectiveness (Fig 2A, blue line) is significantly more effective than tracing 100% of contacts with 50%
 137 isolation and quarantine effectiveness (Fig 2F, green line), whereas previous models (7) could not
 138 distinguish these two scenarios.



139
 140 **Figure 3: The proportion of cases quarantined or isolated within 4 days of the index case being**
 141 **quarantined or isolated (A) is the most robust indicator of the performance of the contact tracing**
 142 **system, measured by the reduction in effective reproduction number R_{eff} relative to the no control**
 143 **case. Other indicators are not reliably correlated with R_{eff} across all model parameters. Each plotted point**
 144 **corresponds to one combination of model parameters: fast tracing (same time as test result) of 50% of**
 145 **contacts (stars); fast tracing of 100% of contacts (crosses); slow tracing (on average 3 days after test result)**
 146 **of 50% of contacts (circles); slow tracing of 100% of contacts (pluses); varying effectiveness of isolation**
 147 **and quarantine are shown by different colours (see graph legend). Vertical dashed lines show the minimum**
 148 **and maximum values of the indicators computed from New Zealand case data.**

149 **Measuring the effectiveness of contact tracing**

150 The key output of interest is the effective reproduction number R_{eff} , defined in the model as the average
151 number of secondary infections per case. It is difficult to measure R_{eff} directly in practice because not all
152 cases are detected and it is not always possible to link secondary cases with a unique index case. In addition,
153 it is difficult to obtain reliable data to quantify the input parameters for the contact tracing model. The
154 average tracing time is the easiest input parameter to measure, although this could be underestimated if
155 some contacts present to healthcare before being traced. Officially reported values for the proportion of
156 contacts traced typically represent the proportion of known contacts and do not include contacts that were
157 not recalled by the case. Directly measuring the effectiveness of quarantine and isolation would require
158 detailed information about the number of secondary infections during these periods. This would require
159 intensive follow-up with quarantined and isolated individuals. Unless this was done for all cases, this
160 intervention itself could bias the sample towards individuals with relatively effective isolation.

161 A robust performance indicator should: (i) be measurable from data routinely collected by public health
162 organisations; and (ii) be closely correlated with the effective reproduction number R_{eff} across a broad
163 range of model inputs. In the absence of direct information about input parameters, we assessed the
164 following potential performance indicators for the case isolation and contact tracing system (*II*):

- 165 • Proportion of cases quarantined or isolated within 4 days of symptom onset in the index case.
- 166 • Proportion of cases quarantined or isolated within 4 days of quarantine or isolation of the index
167 case.
- 168 • Proportion of cases with symptom onset within 4 days of symptom onset in the index case (i.e.
169 serial interval less than 4 days).
- 170 • Proportion of cases quarantined before symptom onset.

171 The most robust indicator tested was the proportion of cases that were quarantined or isolated within 4 days
172 of quarantine or isolation of the index case (Fig. 3A). This indicator is well correlated with R_{eff} across
173 variations in all three input parameters, meaning that improvements in contact tracing parameters are
174 reliably associated with improvements in the indicator. In contrast, indicators that use onset time can be
175 misleading. For example, the proportion of cases quarantined within 4 days of onset in the index case (Fig.
176 3B) depends almost exclusively on tracing speed and proportion of contacts traced, and is insensitive to the
177 effectiveness of quarantine or isolation. If the effectiveness of quarantine and case isolation can be evaluated
178 independently or assured in some other way, this could be a useful indicator of system effectiveness, but
179 without this it is not useful. The serial interval (Fig. 3C) is determined predominantly by the virus
180 transmission dynamics, in particular the incubation period. The effectiveness of quarantine has the strongest
181 effect on this indicator by preventing onward transmission late in the infectious phase, but an improvement
182 in either the tracing speed or the proportion of contacts traced leads to an apparent deterioration in the
183 indicator. The reason for this counterintuitive result is that, as the contact tracing system becomes more
184 effective in reducing transmission, the remaining cases contain a higher proportion of cases who were
185 infected by subclinical carriers. These cases cannot be traced in the model and so continue to spread the
186 virus relatively late in their infectious periods, leading to longer serial intervals.

187 The proportion of cases quarantined before symptom onset is the easiest indicator to measure as it can be
188 calculated for all cases, including those that are not associated with a specific index case. However, it is the
189 worst of the four indicators tested, showing apparently poorer outcomes as the effectiveness of quarantine
190 or isolation improves (Fig. 3D). This happens because effective case-targeted interventions tend to prevent
191 secondary infections that occur late in the infectious phase (e.g. case 2 in Fig. 1). The remaining cases are
192 skewed towards those that were infected early in the infectious phase of the index case (e.g. case 3 in Fig.
193 1). These cases are the hardest to trace before symptom onset.

194

195 **Benchmarking against the New Zealand contact tracing system**

196 We used the New Zealand EpiSurv dataset, centrally managed by ESR on behalf of the Ministry of Health
197 (accessed 2 June 2020). We included the $N = 95$ cases with no recent history of overseas travel and with
198 a symptom onset date between 8 April and 8 May. This minimises the impact of changes that may have
199 occurred as a result of expansion of the contact tracing system at the start of the epidemic, and reduced
200 contact rates following the introduction of strict social distancing restrictions on 26 March. Case discovery
201 is categorised as either “contact of a case” ($N = 82$), “sought healthcare” ($N = 9$) or other. Of the 82 cases
202 labelled as “contact of a case”, all were associated with at least one index case, allowing the values of the
203 first three performance indicators defined above to be empirically calculated (see Supplementary Materials
204 for details). The final indicator, proportion of contacts quarantined before symptom onset was calculated
205 for all cases with available data.

206 Defining traced contacts to be the 82 cases labelled as “contact of a case” implies a tracing rate of 86%. Of
207 these cases, 56% were quarantined or isolated prior to symptom onset. There was almost no difference in
208 the average time from onset to testing between the traced and non-traced contacts (mean 2.8 days, standard
209 deviation 2.6 days for non-contacts; mean 3.1 days, standard deviation 2.5 days for contacts). This suggests
210 that many of the cases labelled as “contact of a case” may have self-identified or been identified *post hoc*,
211 as opposed to being traced by public health officials. This reinforces the view that directly quantifying the
212 proportion of contacts who are traced is difficult and that this may not be accurately reflected in routinely
213 collected public health data.

214 To evaluate the effectiveness of the New Zealand contact tracing system, we calculated each of the four
215 performance indicators across all cases in the sample (Fig. 3, vertical dashed lines). New Zealand Public
216 Health Units have considerable contact tracing experience through routine management of tuberculosis
217 cases, as well as previous epidemic outbreaks including measles and pandemic H1N1 influenza. Contact
218 tracing staff have a background in public health and experience of managing the privacy issues that are

219 involved in the work. Extensive interviews with cases establish potential source cases and identify contacts.
220 Contacts are regularly monitored, often daily, to ensure adherence to quarantine restrictions, fast testing
221 and an accurate onset time if symptoms develop. Quarantine and isolation are supported through workplace
222 support and family care, and limited community quarantine or isolation facilities are available for those
223 whose homes are unsuitable. The COVID-19 response was supplemented by a rapidly developed national
224 contact management service to augment the scalability of local services and address fragmented information
225 systems (11). A significant proportion of cases in New Zealand were associated with long-haul international
226 travel, and tended to occur in relatively healthy, high socio-economic groups who were in a position to
227 adhere to the restrictions. There were also cases in communities where financial and job insecurities were
228 a significant issue. In addition, the data spans a period during which New Zealand was under the strictest
229 social distancing measures, reducing contacts significantly (19). Using the recommended indicator (Fig.
230 3A) suggests that the contact tracing system reduced R_{eff} by 30–45% during this period. The noise in the
231 data from self-reporting of isolation and symptom onset dates and the uncertainty in assigning index cases
232 does not allow for a more accurate estimate.

233

234 **Discussion and conclusions**

235 Our results show that a high-quality, rapid contact tracing system, combined with strong support systems
236 for people in quarantine or isolation, can reduce the effective reproduction number R_{eff} by at most 60%.
237 In the absence of any control interventions, the basic reproduction number R_0 for COVID-19 is estimated
238 to be between 2 and 4 (20-22). Containing the spread of COVID-19 requires $R_{eff} < 1$, which implies that
239 some level of moderate social distancing will likely be required during outbreaks in addition to case-
240 targeted interventions. If case isolation or contact quarantine are imperfect, or some contacts are not traced
241 or traced more slowly, then the reduction in R_{eff} is only around 40%, meaning that stronger social
242 distancing would be required to contain future outbreaks. Our model assumed that all clinical cases were

243 diagnosed, which relies on widespread availability and uptake of testing. Case-targeted measures will be
244 less effective if there is significant case underascertainment.

245 We recommend using the time from quarantine or isolation of the index case to quarantine or isolation of
246 secondary cases as the basis for measuring the performance of the contact tracing system. If at least 80%
247 of cases are quarantined or isolated within 4 days of quarantining or isolating the index case, this indicates
248 a reduction in R_{eff} of at least 40%. For this to be effective, it has been suggested that the definition of a
249 contact should be within 2 metres of an infected case for 15 minutes or more (23).

250 O’Dowd (24) and Verrall (11) identified key criteria against which to evaluate the contact tracing system,
251 for example, suggesting that at least 80% of contacts must be quarantined within 4 days of symptom onset
252 in the index case. We have shown that if the effectiveness of quarantine and isolation can be guaranteed,
253 this criteria can be useful to benchmark a system. However, when these are not accurately known, the
254 indicator recommended above is more robust. Case-targeted interventions tend to prevent onward
255 transmission late in the infectious period. This skews remaining cases towards those infected in the pre-
256 symptomatic or early symptomatic phase of the index case, and these are more difficult to trace in a timely
257 way. Our work shows that in order to establish the effectiveness of a system, index-case pairs must be
258 determined as accurately as possible, even if this is done *post hoc* with case investigation. Without this
259 information, there is a danger that seemingly simple criteria, such as the proportion of cases quarantined
260 before symptom onset, could give misleading indications of system performance.

261 The New Zealand contact tracing system is well-established and run by highly trained public health staff.
262 Their work has been critical to the success of New Zealand’s elimination strategy for COVID-19 (9).
263 However, even this well-established system suffers from noisy data and the difficulties of establishing
264 index-case pairs. Our results show that even this success story can be improved, and, more usefully, point
265 to the areas that need the most attention, in this case reducing the time taken to trace contacts.

266 Our model assumed that, in the absence of any case-targeted interventions, 35% of infections are subclinical
267 with transmission rates reduced by 50% (25) and 35% of all onward transmission occurs during the pre-
268 symptomatic phase. There is a wide range in empirically derived estimates for these parameters for COVID-
269 19 (2, 16, 17, 26, 27), and the effectiveness of contact tracing is sensitive to these (7). If the true rates of
270 asymptomatic and pre-symptomatic transmission are less than these assumed values, contact tracing will
271 be more effective than our results predict. However, if the true values are higher, it is likely that contact
272 tracing will need to be combined with stronger social distancing measures to contain COVID-19. In any
273 case, the conclusion remains that the provision of systems to support people to quarantine and isolate
274 effectively and the ability to rapidly trace the majority of contacts are crucially important. Our model does
275 not distinguish between the different types of contact, such as household, work or casual, and each of these
276 groups may have different tracing speeds and isolation effectiveness. This would be a useful addition to the
277 model but would not undermine the conclusions on isolation effectiveness and robust indicators.

278 Further investment in improving the speed and capacity of contact tracing systems is needed. This is likely
279 to be much more cost-effective than having to prolong or return to strict population-wide social distancing
280 measures to contain a resurgence in cases. The crucial importance of support systems for people in
281 quarantine or isolation and the ability to rapidly trace the majority of contacts mean that investment in
282 skilled professionals and workers trained in public health work is essential. Overreliance on digital or
283 automated contact tracing solutions or outsourcing case interviews and follow-up to undertrained staff are
284 likely to substantially compromise these aspects of the system. Experience from the New Zealand contact
285 tracing effort shows that the development of trusted relationships by public health officials and local
286 community representatives is critical to an effective system. The success of contact tracing also relies on
287 the universal provision of social security such as paid sick leave, leave entitlements for asymptomatic
288 individuals in quarantine, and adequate job security and unemployment benefits.

289 **References**

- 290 1. World Health Organization, "Contact tracing in the context of COVID-19: interim guidance, 10 May
291 2020," (2020).
- 292 2. L. Ferretti *et al.*, Quantifying SARS-CoV-2 transmission suggests epidemic control with digital
293 contact tracing. *Science* **368**, (2020).
- 294 3. M. Ienca, E. Vayena, On the responsible use of digital data to tackle the COVID-19 pandemic.
295 *Nature medicine* **26**, 463-464 (2020).
- 296 4. K. Sun, C. Viboud, Impact of contact tracing on SARS-CoV-2 transmission. *The Lancet Infectious*
297 *Diseases*, (2020).
- 298 5. World Health Organization Centers for Disease Control Prevention, "Implementation and
299 management of contact tracing for Ebola virus disease: emergency guideline," (World Health
300 Organization, 2015).
- 301 6. M. Kang *et al.*, Contact tracing for imported case of Middle East respiratory syndrome, China,
302 2015. *Emerging infectious diseases* **22**, 1644 (2016).
- 303 7. J. Hellewell *et al.*, Feasibility of controlling COVID-19 outbreaks by isolation of cases and contacts.
304 *The Lancet Global Health*, (2020).
- 305 8. A. J. Kucharski *et al.*, Effectiveness of isolation, testing, contact tracing and physical distancing on
306 reducing transmission of SARS-CoV-2 in different settings. *medRxiv*, (2020).
- 307 9. S. Cousins, New Zealand eliminates COVID-19. *The Lancet* **395**, 1474 (2020).
- 308 10. T. Obadia, R. Haneef, P.-Y. Boëlle, The R0 package: a toolbox to estimate reproduction numbers
309 for epidemic outbreaks. *BMC medical informatics and decision making* **12**, 147 (2012).
- 310 11. A. Verrall, Rapid Audit of Contact Tracing for Covid-19 in New Zealand. *Ministry of Health*, (2020).

- 311 12. World Health Organization, "Considerations for quarantine of individuals in the context of
312 containment for coronavirus disease (COVID-19): interim guidance, 19 March 2020," (World
313 Health Organization, 2020).
- 314 13. European Centre for Disease Prevention and Control, "Contact tracing: Public health management
315 of persons, including healthcare workers, having had contact with COVID-19 cases in the
316 European Union - second update," (Stockholm: ECDC, 2020).
- 317 14. Centre for Disease Control, "Self-Isolation and Self-Quarantine Home Assessment Checklist for
318 Coronavirus Disease 2019 (COVID-19)," (2020).
- 319 15. A. James *et al.*, A structured model for COVID-19 spread: modelling age and healthcare inequities.
320 *medRxiv*, (2020).
- 321 16. T. Ganyani *et al.*, Estimating the generation interval for coronavirus disease (COVID-19) based on
322 symptom onset data, March 2020. *Eurosurveillance* **25**, 2000257 (2020).
- 323 17. L. Tindale *et al.*, Transmission interval estimates suggest pre-symptomatic spread of COVID-19.
324 *MedRxiv*, (2020).
- 325 18. S. Chen *et al.*, Fangcang shelter hospitals: a novel concept for responding to public health
326 emergencies. *The Lancet*, (2020).
- 327 19. R. N. Binny *et al.*, Effect of Alert Level 4 on effective reproduction number: review of international
328 COVID-19 cases. *medRxiv*, (2020).
- 329 20. Y. Liu, A. A. Gayle, A. Wilder-Smith, J. Rocklöv, The reproductive number of COVID-19 is higher
330 compared to SARS coronavirus. *Journal of travel medicine*, (2020).
- 331 21. S. Flaxman *et al.*, Report 13: Estimating the number of infections and the impact of non-
332 pharmaceutical interventions on COVID-19 in 11 European countries. (2020).
- 333 22. C. I. Jarvis *et al.*, Quantifying the impact of physical distance measures on the transmission of
334 COVID-19 in the UK. *BMC medicine* **18**, 1-10 (2020).

- 335 23. M. J. Keeling, T. D. Hollingsworth, J. M. Read, The Efficacy of Contact Tracing for the Containment
336 of the 2019 Novel Coronavirus (COVID-19). *medRxiv*, (2020).
- 337 24. A. O'Dowd. (British Medical Journal Publishing Group, 2020).
- 338 25. N. V. V. Chau *et al.*, The natural history and transmission potential of asymptomatic SARS-CoV-2
339 infection. *medRxiv*, (2020).
- 340 26. D. F. Gudbjartsson *et al.*, Spread of SARS-CoV-2 in the Icelandic population. *New England Journal*
341 *of Medicine*, (2020).
- 342 27. E. Lavezzo *et al.*, Suppression of COVID-19 outbreak in the municipality of Vo, Italy. *medRxiv*,
343 (2020).
- 344 28. H. Nishiura, N. M. Linton, A. R. Akhmetzhanov, Serial interval of novel coronavirus (COVID-19)
345 infections. *International journal of infectious diseases*, (2020).
- 346 29. Q. Bi *et al.*, Epidemiology and transmission of COVID-19 in 391 cases and 1286 of their close
347 contacts in Shenzhen, China: a retrospective cohort study. *The Lancet Infectious Diseases*, (2020).
- 348 30. N. G. Davies *et al.*, The effect of non-pharmaceutical interventions on COVID-19 cases, deaths and
349 demand for hospital services in the UK: a modelling study. *MedRxiv*, (2020).
- 350 31. J. O. Lloyd-Smith, S. J. Schreiber, P. E. Kopp, W. M. Getz, Superspreading and the effect of
351 individual variation on disease emergence. *Nature* **438**, 355-359 (2005).
- 352 32. K. Prem, A. R. Cook, M. Jit, Projecting social contact matrices in 152 countries using contact
353 surveys and demographic data. *PLoS computational biology* **13**, e1005697 (2017).
- 354 33. S. A. Lauer *et al.*, The incubation period of coronavirus disease 2019 (COVID-19) from publicly
355 reported confirmed cases: estimation and application. *Annals of internal medicine* **172**, 577-582
356 (2020).
- 357 34. Compass Research Centre, in *International Social Survey Programme (ISSP) 2017: Social Networks*
358 *- New Zealand Survey*. (University of Auckland, Auckland, New Zealand, 2018).

359

360 **Acknowledgements**

361 The authors acknowledge the support of StatsNZ, ESR, the Ministry of Health and Barry Milne (Compass
362 Research Centre, University of Auckland) in supplying data in support of this work. **Funding:** AJ, MP, SH,
363 AL, RB and NS are supported by Te Pūnaha Matatini, the Centre of Research Excellence in Complex
364 Systems. **Author contributions:** AJ, MP developed the initial idea, and designed the methodology, AJ
365 applied the model, NS, RB, AL curated data , SH provided project administration, All authors contributed
366 to writing, review and editing. **Competing interests:** The authors declare no competing interests. **Data**
367 **availability:** For privacy reasons data is not publicly available. Please contact the authors or the New
368 Zealand Ministry of Health to discuss availability for research purposes.

369

370 **Supplementary Materials**

371 Materials and Methods: Model details
372 Figure S1: Generation time distribution
373 Table S1: Parameter values and sources.



374

375

376

Supplementary Materials for

377

Successful contact tracing systems for COVID-19 rely on effective quarantine and isolation

378

A. James, M. Plank, S. Hendy, R. Binny, A. Lustig, N. Steyn, A. Nesdale, A. Verrall

379

Correspondence to: alex.james@canterbury.ac.nz

380

381 **This PDF file includes:**

382

Materials and Methods: Model

383

Figure S1: Model generation time distribution.

384

Table S1: Parameter values and their sources.

385 **Materials and Methods: Model**

386

387 We use an age-structured continuous-time branching process model (15) to study the transmission of
388 COVID-19 in the presence of contact tracing and case isolation.

389

390 **Model assumptions.** The key assumptions of the model are:

391 • Infected individuals fall into one of two categories: clinical or subclinical. Subclinical infections
392 are assumed to have a reduced infectiousness (see Table S1 for parameter values). Note that
393 subclinical individuals are asymptomatic during the entire infectious period and therefore are
394 unlikely to be detected. Individuals who are pre-symptomatic are included in the clinical
395 category.

396 • For clinical infections, the time between exposure and onset of symptoms (in days) T_{onset} is
397 drawn from a gamma distribution

398
$$T_{onset} \sim \Gamma(5.8, 0.95).$$

399 • The times of secondary infections T_s are drawn from an individual-specific generation time
400 distribution, which is shifted according to the onset time T_{onset} of the index case (\mathcal{I}) via:

401
$$T_s - T_{onset} + t_p \sim Weibull(5.67, 2.83)$$

402 where $t_p > 0$ is a constant chosen so that $p_{pre} = 35\%$ of secondary infections occur prior to
403 onset. Allowing for pre-symptomatic transmission in this way is realistic, but introduces the
404 possibility that secondary infections could occur before infection of the index case. To prevent
405 this, any randomly generated secondary infection times with $T_s < T_{onset}$ are discarded and
406 another secondary infection time is generated instead. The population-wide generation time

407 distribution is a model output (see Figure S1) and is consistent with empirical estimates (2, 28,
408 29).

409 • Symptomatic individuals who are not traced self-isolate after symptom onset. The time
410 between symptom onset and isolation, T_{iso} , is Gamma distributed

$$411 \quad T_{iso} \sim \Gamma(0.62, 3.47).$$

412 The distribution is found by fitting to the time between symptom onset and isolation in the NZ
413 case data including all untraced individuals without a recent overseas arrival history and onset
414 date between 8th April and 8th May.

415 • All clinical cases get tested. i.e. $p_{test} = 1$. In the absence of any contact tracing, the time, in
416 days, between symptom onset and testing, T_{test} is Gamma distributed

$$417 \quad T_{test} \sim \Gamma(1.22, 2.17).$$

418 The distribution is found by fitting to the time between symptom onset and test date of the
419 NZ case data of all untraced individuals without a recent overseas arrival history and onset
420 date between 8th April and 8th May.

421 • Isolation reduces infectiousness to c_{iso} of initial infectiousness; this is assumed to take effect
422 from either the isolation date or the test date, whichever is earlier.

423 • The time from testing to test result, T_{result} , (in days) is a minimum period plus an exponentially
424 distributed random variable:

$$425 \quad T_{result} - 0.5 \sim Exp(0.5)$$

426 This is an approximate match to the New Zealand data.

- 427 • A positive test result initiates tracing of the index case's contacts. It is assumed a proportion
428 p_{trace} of contacts are successfully traced, though cases may be symptomatic, have isolated and
429 even been tested by the time they are traced.
- 430 • The time between the index case's test result and tracing of contacts, T_{trace} , is Gamma
431 distributed with variance equal to 10% of the mean, i.e. tracing may be delayed but is completed
432 quickly.
- 433 • Contacts traced before symptom onset go into partial isolation or quarantine, which reduces
434 infectiousness to c_{quar} of initial infectiousness. This is a weaker form of isolation during the
435 pre-symptomatic stage ($c_{quar} \geq c_{iso}$).
- 436 • Once a traced contact develops symptoms, they are tested and fully isolated (infectiousness
437 c_{iso}) immediately (i.e. there is no delay from onset to testing or isolation). After the test-to-
438 result delay described above, a positive test result initiates tracing of the secondary case's
439 contacts.
- 440 • Contacts traced after symptom onset immediately go into isolation and are tested.
- 441 • Subclinical individuals do not develop symptoms, do not get tested or isolated and their
442 contacts are not traced.
- 443 • Subclinical individuals can be traced contacts of an index case and be quarantined. However,
444 they do not develop symptoms and so will not get tested or fully isolated.
- 445 • If isolation is not 100% effective tracing continues during isolation and contacts are still traced
446 with probability p_{trace} .
- 447
- 448

449 **Stochastic branching process model.** The stochastic model for transmission of the virus is as follows:

- 450 • We segment the population into 3 age groups: 0-19 years, 19-65 years, over 65. The population
451 is assumed to be well mixed within each group.
- 452 • The average reproduction number R_{sub}^G of subclinical individuals in any group G was assumed
453 to be 50% of the average reproduction number R_{clin}^G of clinical individuals in that group (30).
- 454 • In the absence of case isolation measures, each infected individual i causes a randomly
455 generated number $N_i \sim Poisson(R_i)$ of new infections.
- 456 • We assume a moderate level of social distancing which reduces transmission rates to 70%.
- 457 • As well as population heterogeneity across the different groups, individual heterogeneity in
458 transmission rates was included by setting $R_i = R_{clin}^G Y_i$ for clinical individuals in group G and
459 $R_i = R_{sub}^G Y_i$ for subclinical individuals in group G , where Y_i is a gamma distributed random
460 variable with mean 1 and variance 2 (31).
- 461 • All individuals are assumed to be no longer infectious 30 days after being infected. This is an
462 upper limit for computational convenience; in practice, individuals have very low
463 infectiousness after about 14 days after symptom onset because of the shape of the generation
464 time distribution (Fig. 1).
- 465 • The model is simulated using a time step of $\delta t = 0.5$ days. At each step, infectious individual i
466 produces a Poisson distributed number of secondary infections with mean

467
$$\lambda_i = R_i F(t, T_{trace,i}, T_{iso,i}) \int_t^{t+\delta t} W(\tau - T_{onset,i}) d\tau \quad (1)$$

468 where W is the PDF of the Weibull distribution shown in Table S1, R_i is individual i 's
469 reproduction number, $T_{trace,i}$ is the time individual i was traced (if applicable), $T_{iso,i}$ is the time

470 individual i was isolated (if applicable), and $F(t)$ is a function describing the reduction in
471 infectiousness due to isolation:

$$472 \quad F(t, T_{trace}, T_{iso}) = \begin{cases} 1 & t < T_{trace} \\ c_{quar} & T_{trace} \leq t < T_{iso} \\ c_{iso} & t \geq T_{iso} \end{cases} \quad (2)$$

- 473 • The contact matrix Λ gives the probability Λ_{ij} that a secondary infection originating from group
474 i will be in group j , with $\sum_j \Lambda_{ij} = 1$. New infections from group i are distributed across groups
475 according to these probabilities.
- 476 • The contact matrix assumes 50% of contacts are from the same age group. The remaining 50%
477 are distributed across all three age groups in proportion to their relative size in the population,
478 consistent with (32).
- 479 • The model was initialised with 10 seed cases infected at time $t = 0$. R_{eff} was calculated for
480 each scenario using individuals who had experienced a full infectious period within 50 days of
481 the seed cases.

482

483 **Performance indicators.** For each combination of parameter values investigated, we calculated the values
484 of the four following performance indicators:

- 485 1. Proportion of cases quarantined or isolated within 4 days of symptom onset in the index case.
- 486 2. Proportion of cases quarantined or isolated within 4 days of quarantine or isolation of the index
487 case.
- 488 3. Proportion of cases with symptom onset within 4 days of symptom onset in the index case (i.e.
489 serial interval less than 4 days).
- 490 4. Proportion of cases quarantined before symptom onset.

491

492 Time of quarantine or isolation means time of quarantine if there was a period of pre-symptomatic
493 quarantine, or time of isolation otherwise. This is distinct from the time of diagnosis which may occur later
494 for traced cases. These indicators were calculated in the model for all clinical cases (i.e. those that
495 eventually became symptomatic), all of whom have an onset time and an isolation time. Asymptomatic
496 cases were not included in the metrics, despite being possible for some cases, as these are unlikely to be
497 available in collected data. This includes cases who were not traced before symptom onset, and whose
498 isolation date is therefore after their onset date. Indicators 1-3 additionally require the index case to be
499 clinical. Values of these indicators were averaged over 1000 simulations for each combination of
500 parameter values investigated.

501

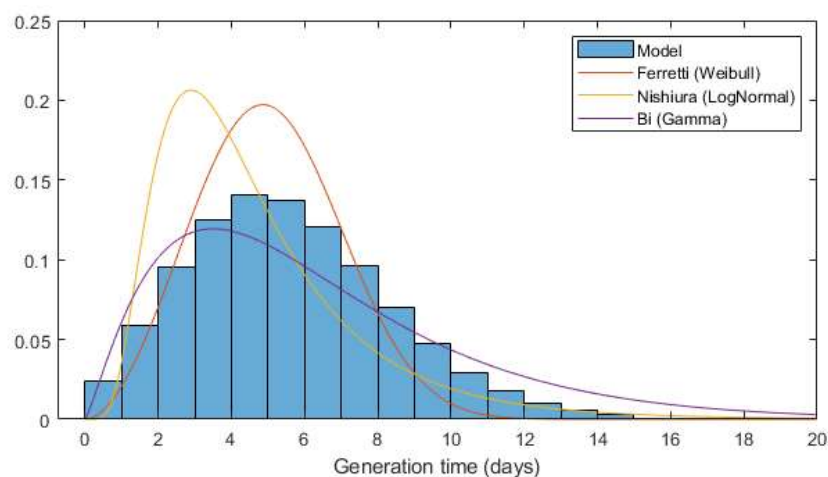
502 **Empirical calculation of performance indicators.** We used the New Zealand EpiSurv dataset, centrally
503 managed by ESR on behalf of the Ministry of Health (accessed 2 June 2020). We included the $N = 95$
504 cases with no recent history of overseas travel and with a symptom onset date between 8 April and 8
505 May. Case discovery is categorised as either “contact of a case” ($N = 82$), “sought healthcare” ($N = 9$)
506 or other ($N = 4$). Of the 82 cases labelled as “contact of a case”, all were associated with at least one
507 index case, allowing the values of the first three performance indicators defined above to be empirically
508 calculated. For cases with multiple potential index cases, we calculated the following quantities

- 509
- Earliest time of onset in a potential index case T_{onset}^- .
 - 510 • Latest time of onset in a potential index case T_{onset}^+ .
 - 511 • Earliest time of quarantine or isolation in a potential index case T_q^- .
 - 512 • Latest time of quarantine or isolation in a potential index case T_q^+ .

513

514 Using T_{onset}^+ and T_q^+ for all cases gave a minimum value for indicators 1-3. Using T_{onset}^- and T_q^- for all
515 cases gave a maximum value for indicators 1-3. These minimum and maximum values corresponds to the
516 two vertical dashed lines in Fig. 3A-C. Indicator 4 does not depend on the index case, so there is a unique
517 value for this indicator (single vertical dashed line in Fig. 3D) which was calculated from all available case
518 data.

519



520

521 **Figure S1.** Distribution of generation times (time from infection of the index case to infection of secondary
522 cases) with no contact tracing or case isolation. Three published generation time distributions are shown
523 for comparison (2, 28, 29).

Parameter	Value	Source
Distribution of exposure to onset (days)	$T_{onset} \sim \Gamma(shape = 5.8, scale = 0.95)$	(33)
Distribution of generation times (days)	$T_s - T_{onset} + t_p$	(2)
	$\sim Weibull(shape = 2.83, scale = 5.67)$	
Distribution of onset to testing (untraced contacts) (days)	$T_{test} \sim \Gamma(shape = 1.22, scale = 2.17)$	NZ Case data
Distribution of onset to isolation (days)	$T_{iso} \sim \Gamma(shape = 0.62, scale = 3.47)$	NZ Case data
Distribution of testing to test result (days)	$T_{result} - 0.5 \sim Exp(0.5)$	NZ Case data
Distribution of test result to contact tracing (days)	$T_{trace} \sim \Gamma(shape = \frac{\overline{T_{trace}}}{0.1}, scale = 0.1)$	See scenario parameters
Proportion of secondary infections occurring before symptom onset (in the absence of case-targeted control)	$p_{pre} = 35\%$	(7)
Relative infectiousness after quarantine	c_{quar}	See scenario parameters
Relative infectiousness after full isolation	c_{iso}	See scenario parameters
Proportion of contacts traced	p_{trace}	See scenario parameters
<hr/>		
Age-structured scenario parameters	children (0-19 years), adults (19-65 years), elderly (over 65)	
Reproduction number for clinical infections (no case isolation or control)	$R_{clin} = 4.6, 3, 1.3$	Estimated from age-adjusted contact rates (34)
Relative infectiousness of subclinical cases	$R_{sub}^G / R_{clin}^G = 50\%$	(30) (25)
Proportion of subclinical infections	$p_{sub} = 0.8, 0.33, 0.2$	(30)
Contact probabilities between groups	$\Lambda = 0.1 \begin{matrix} 0.6 & 0.325 & 0.075 \\ 0.1 & 0.825 & 0.075 \\ 0.1 & 0.325 & 0.575 \end{matrix}$	(15, 32)

524 **Table S1.** The parameters used in the model and their source.